

A

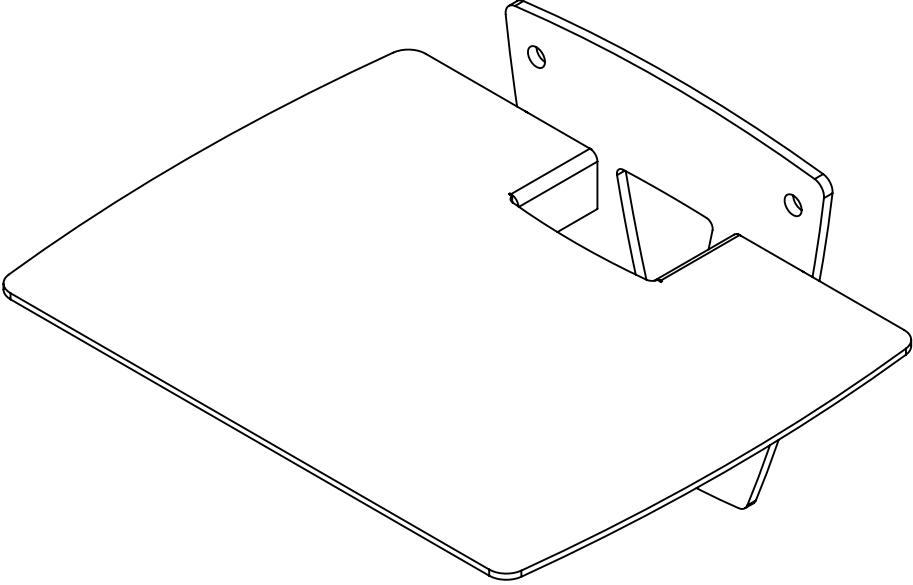
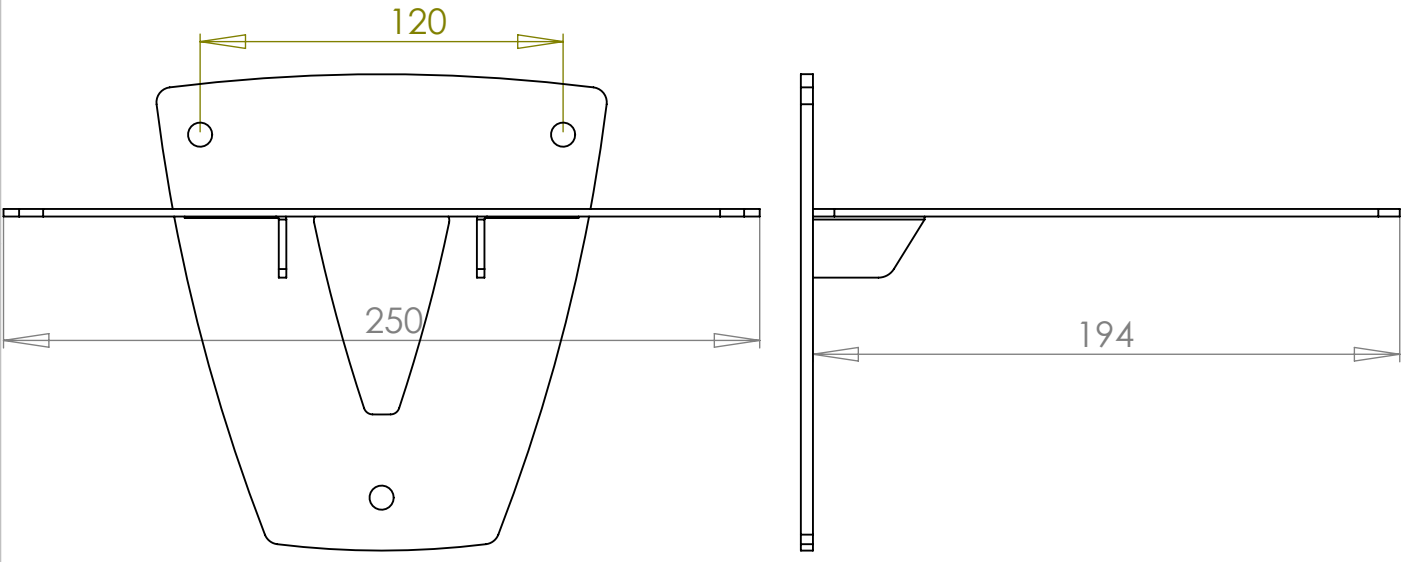
B

C

D

E

F



Unicol Engineering Green Road Headington Oxford OX3 8EU		FINISH:		TITLE: WBVC 20 x 25cm	
REVISION	A-002	Drawn Date	Note		
Drawn By	Specials Two	25/04/07	MATERIAL:	DWG NO.	
UNLESS OTHERWISE SPECIFIED: DIMENSIONS ARE IN MILLIMETERS SURFACE FINISH: Powder Coated				Ass--20001956	A4
				SCALE:1:2.5 DO NOT SCALE DRAWING	SHEET 1 OF 1