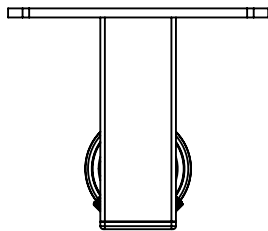
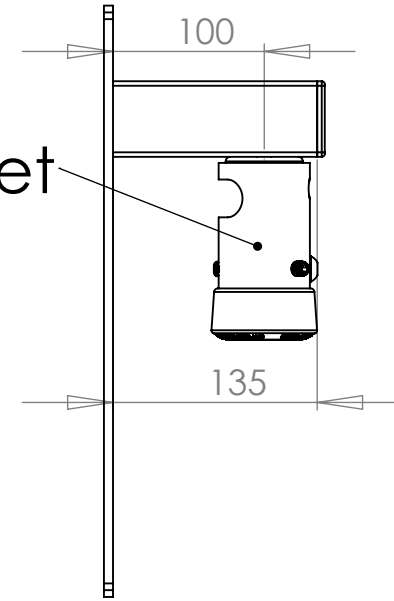


Standard MSU  
Suspension Socket



WB2 Arm 135mm Long  
100mm To Socket Centre

Description		Wb2 10Cm		
UNLESS OTHERWISE SPECIFIED: DIMENSIONS ARE IN MILLIMETERS		Mod Date	24/08/2021	REVISION
		Drawn Date:	12/04/2007	
SURFACE FINISH: Powder Coated				A-001
DRAWN	Tim Smith	Material		Bend & Machine Number
	Unicol Engineering Green Road Oxford OX3 8EU	Gauge		
Bend V Tool				DWG NO. <b>Ass--20010655</b>
		WEIGHT: 4.35 Kg		A4
		SCALE:1:5 DO NOT SCALE DRAWING		SHEET 1 OF 1