

1

2

3

4

ITEM NO.	PART NUMBER	DESCRIPTION	QTY.
1	Par--20003504	WB Backplate WB1 - WB2 type	1
2	550 X 50 X 50	Variable WB Tube 50 x 50	1
3	Par--20001895	Peg for WB Arms	1
4	Par--20003189	50 X 50 Standard Bung	1

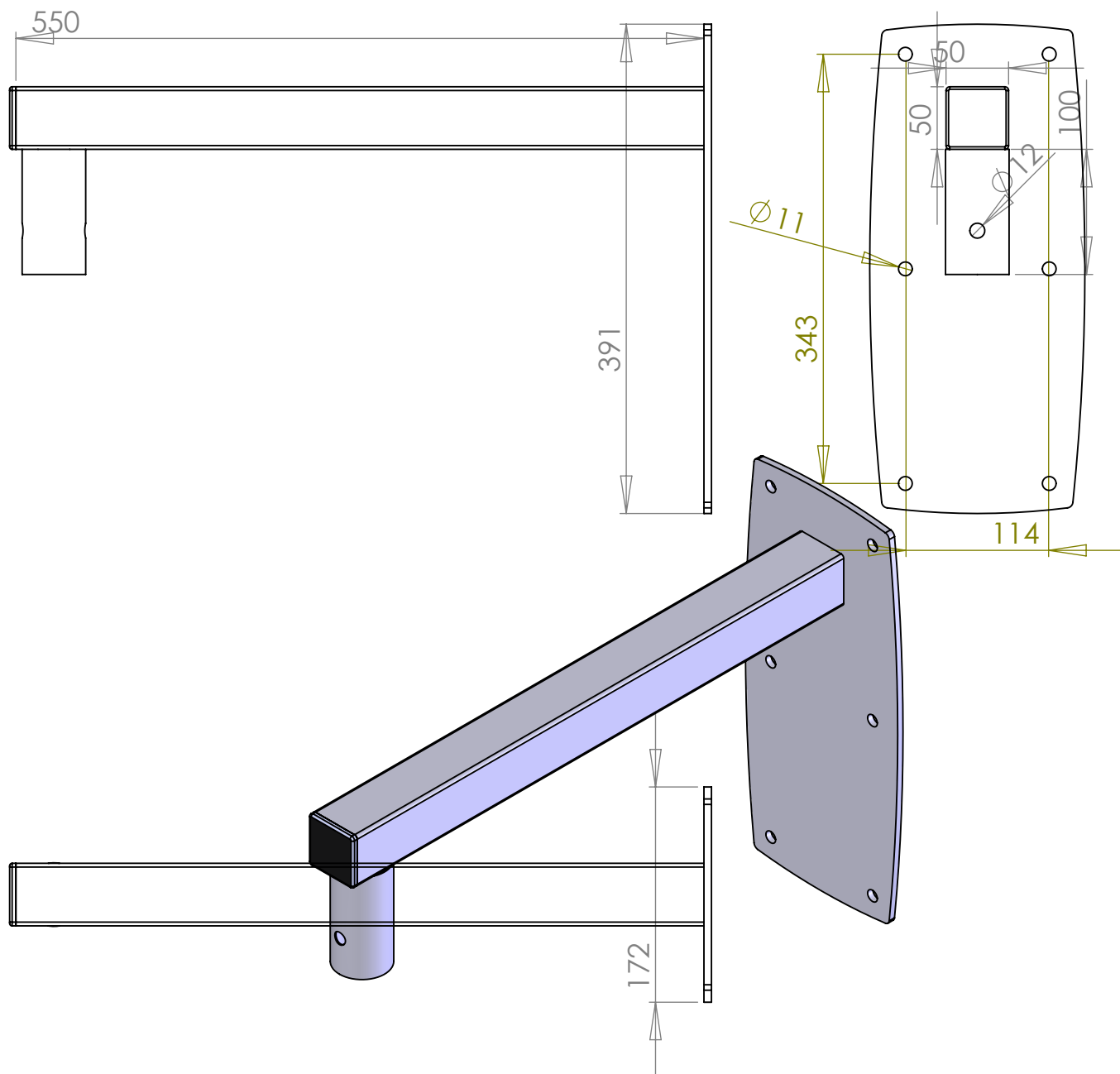
A

B

C

D

E



Unicol Engineering
Green Road
Headington
Oxford OX3 8EU

FINISH:

TITLE:

WB1 550mm With Peg

REVISION

A-01

Drawn
Date

Note

Drawn By

Ricky Clark

12/04/07

MATERIAL:

DWG NO.

Ass--20001895

A4

UNLESS OTHERWISE SPECIFIED:
DIMENSIONS ARE IN MILLIMETERS
SURFACE FINISH: Powder Coated

WEIGHT: 5.205.20

SCALE:1:5

DO NOT SCALE DRAWING

SHEET 1 OF 1

F