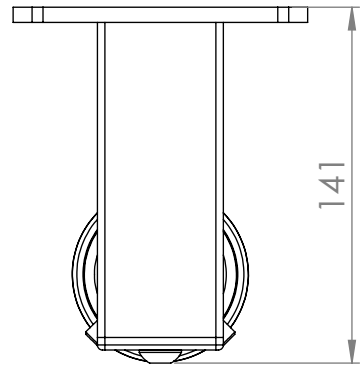
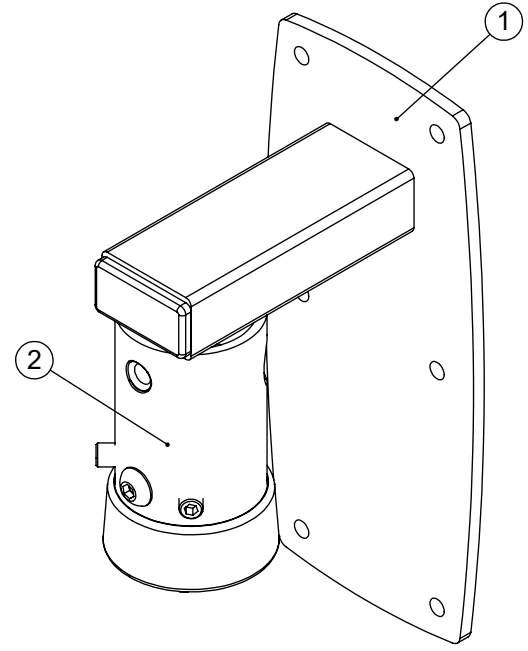
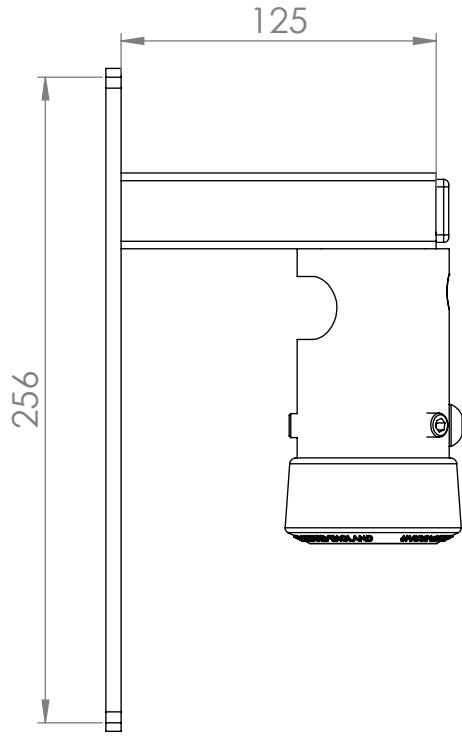
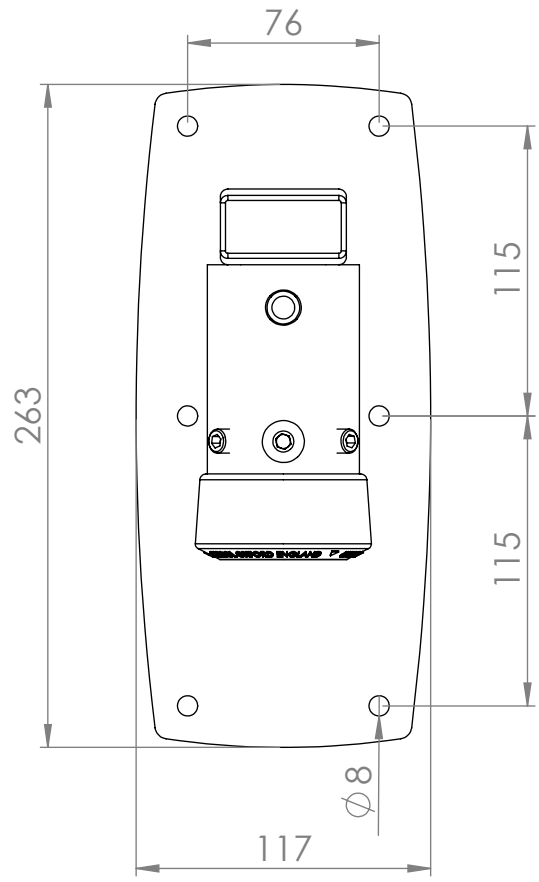


1 2 3 4 5 6

A
B
C
D



BOM Table			
NO	Part Number	Description	QTY.
1	Ass--20002544	CS0 Wall Arm 100mm	1
2	Ass--20001151	Ceiling suspension socket Without Cap and Clamp bolt	1

Description		WB02 Socket Wall Arm 10cm	
UNLESS OTHERWISE SPECIFIED: DIMENSIONS ARE IN MILLIMETRES	Modified Date: 17 November 2023	DRW - REV REV - A-002	See Below - Special Notes
	Created Date: 14 November 2006		
SURFACE FINISH: Powder Coat	Bend Tool:	Part Number & Part Revision Ass--20002545 REV- A-002	Part Number & Part Revision
Created By Ricky Clarke	Material:		
Unicol Engineering Green Road Oxford OX3 8EU	Gauge:	Part Number & Part Revision	
		First Angle Projection	

1 2 3 4 5 6

WEIGHT: 2.39 Kg SCALE:1:3 DO NOT SCALE DRAWING SHEET 1 OF 1