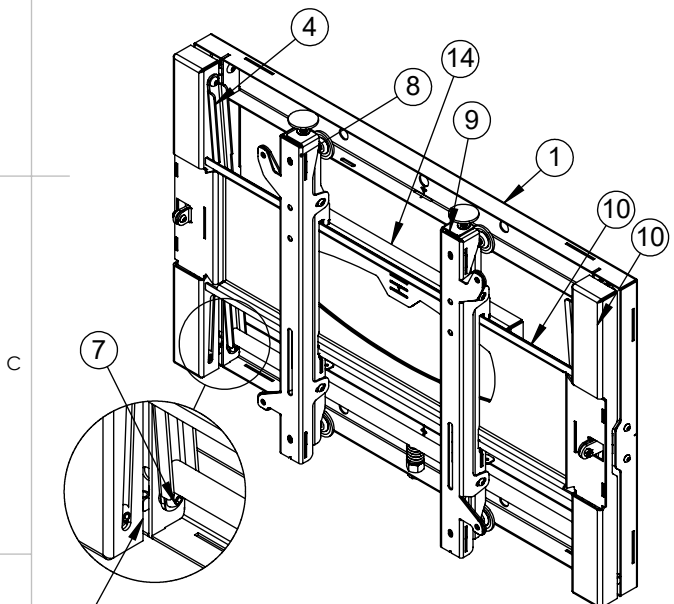


from 73 mm to 310 mm open



BOM Table			
NO	Part Number	Description	QTY.
1	ASS--20054343	Vwp1 - Wall Plate H-D	1
2	HMS-MET-12X35-HT-BO	Hex Machine Screw M12 X 35 (High Tensile Black Oxide)	1
3	Ass--20016126	Spring Ass For Pop Out Video Wall	1
4	Ass--20015769	Vwp1 - Bottom Scissor Frame	1
5	Par--20025527	Scissor Arm	2
6	FW-MET-8-HT-CZN	Flat Washer M8 (High Tensile Bright Zinc Plated Clear Passivated)	20
7	BH-MET-8X20-HT-BO	Button Head Screw M8 X 20 (High Tensile Black Oxide)	8
8	ASS--20054305	Video Wall Arm 200 - 300 - 400 Extension H-D	1
9	ASS--20054306	Video Wall Arm 200 -300 -400 Extension Right H-D	1
10	ASS--20054344	Vwp1 Front Slider Arms Support H-D	1
11	Par--20017909	Nylon Bush 5.25 X 10 X 10	2
12	BN-MET-8-HT-CZN	Binx Nut M8 (High Tensile Bright Zinc Plated Clear Passivated)	10
13	BH-MET-8X20-HT-CZN	Button Head Screw M8 X 20 (High Tensile Bright Zinc Plated Clear Passivated)	2
14	PAR--2055934	Vwp1 - back stress plate	1

Description		Vwp1 - Video Wall Unit 300 to 600 Vesa H-D 80 Kg	
UNLESS OTHERWISE SPECIFIED: DIMENSIONS ARE IN MILLIMETERS	Saved Date: 24 October 2019	DRW - REV REV - A-001	See Below - Special Notes
	Created Date: 10 January 2013		
SURFACE FINISH: Powder Coat	Bend Tool:	Material:	Part Number & Part Revision
	Created By Dennis Neale		
Unicol Engineering Green Road Oxford OX3 8EU		ASS--20054304 REV - A-001	

