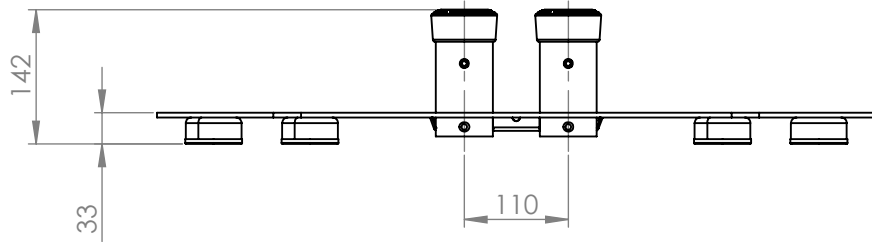
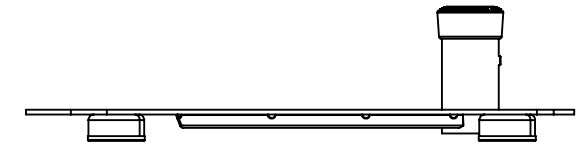


1 2 3 4 5 6

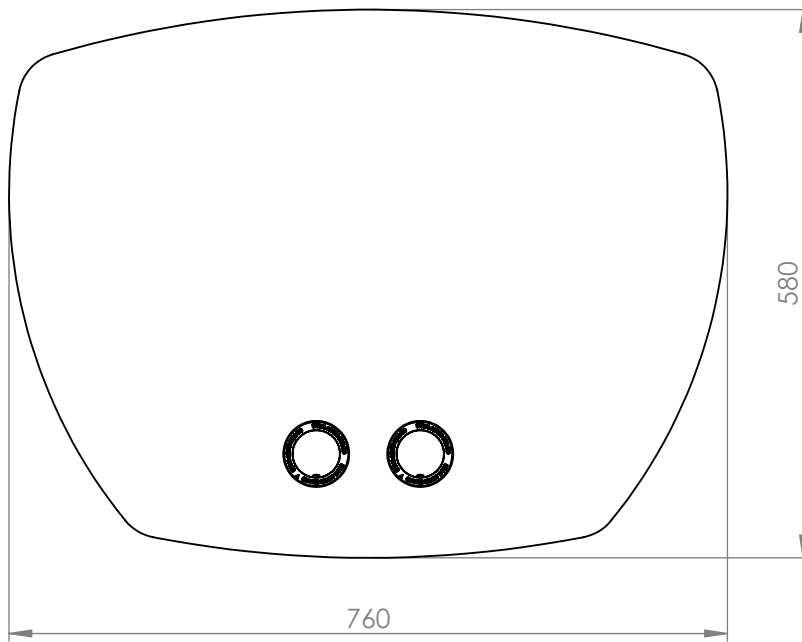
A



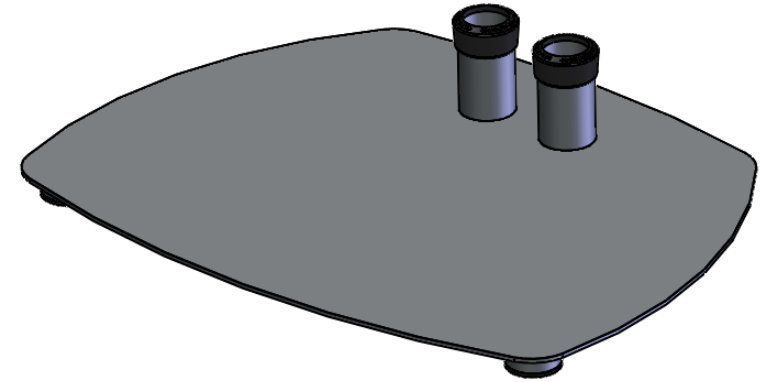
A



B



B



C

C

D

Description		Vsl Vs1000 Free Standing Base			
UNLESS OTHERWISE SPECIFIED: DIMENSIONS ARE IN MILLIMETERS		Mod Date	25/02/2016	REVISION	Bend & Machine Number
SURFACE FINISH: Powder Coated		Drawn Date:	07/12/2006	A-001	
DRAWN Ricky Clark		Material		DWG NO. VSL	
Unicol Engineering Green Road Oxford OX3 8EU		Gauge			
WEIGHT:		Kg		SCALE:1:8	DO NOT SCALE DRAWING
				SHEET 1 OF 1	

1 2 3 4 5 6

A4