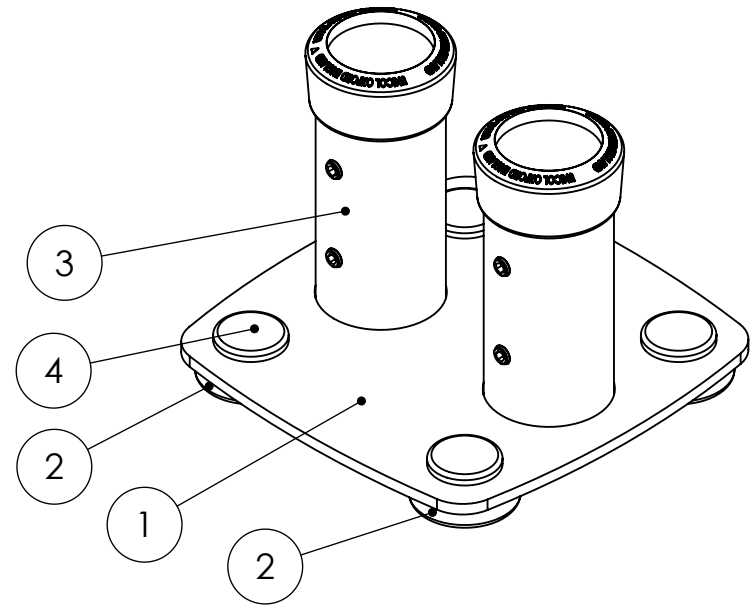
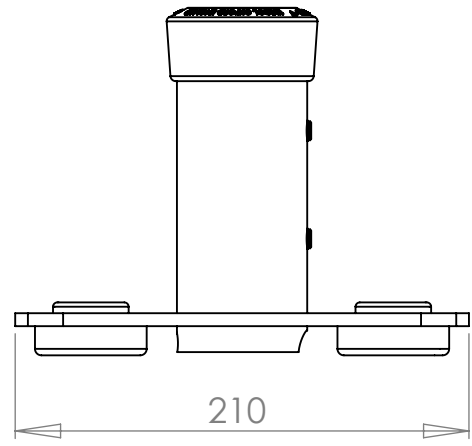
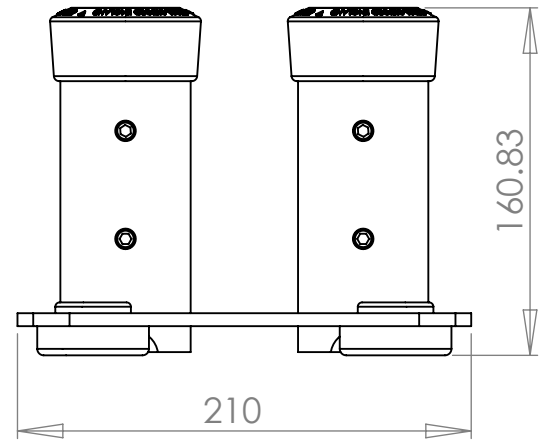


1 2 3 4 5 6

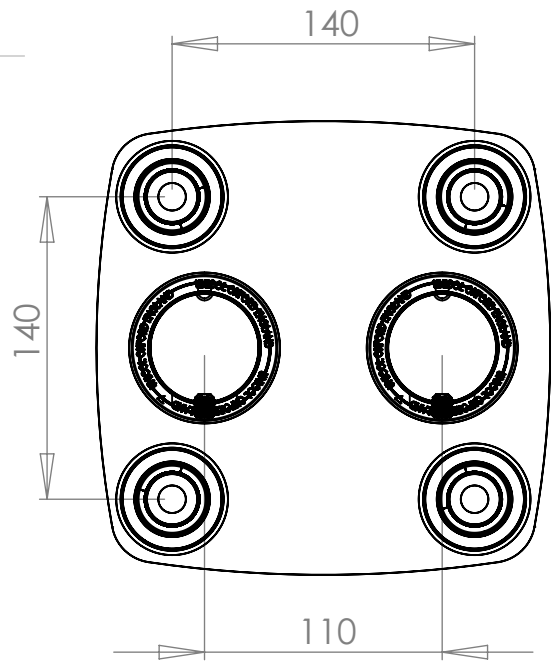
A

A



B

B



C

C

BOM Table			
NO	Part Number	Description	QTY.
1	Par--20030545	Bolt Down Base 210X210 VS Centres	1
2	Par--20001542	Grenade Cap With 12Mm Hole	4
3	Ass--20002350	6 inch Socket 2 tapped 3/8 BSF VSF Type with cut out 1 cap	2
4	BUNG35C3	Blanking plug for 32mm hole	4

D

D

Description		Small bolt down base VS1000 Socket centres	
UNLESS OTHERWISE SPECIFIED: DIMENSIONS ARE IN MILLIMETERS	Created Date: 25 August 2021	DRW - REV REV - A-007	See Below - Special Notes
	Created Date: 27 August 2021		
SURFACE FINISH: Powder Coated	Bend Tool:	Material:	Part Number & Part Revision
	Created By System Administrator		
Unicol Engineering Green Road Oxford OX3 8EU			Ass--20019394 REV - A-007

1 2 3 4 WEIGHT: 3.54 Kg SCALE:1:3.5 DO NOT SCALE DRAWING SHEET 1 OF 1