

1 2 3 4 5 6

A

A

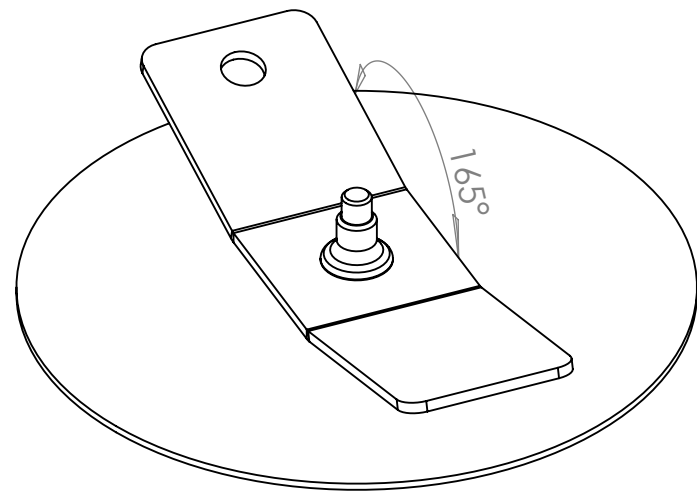
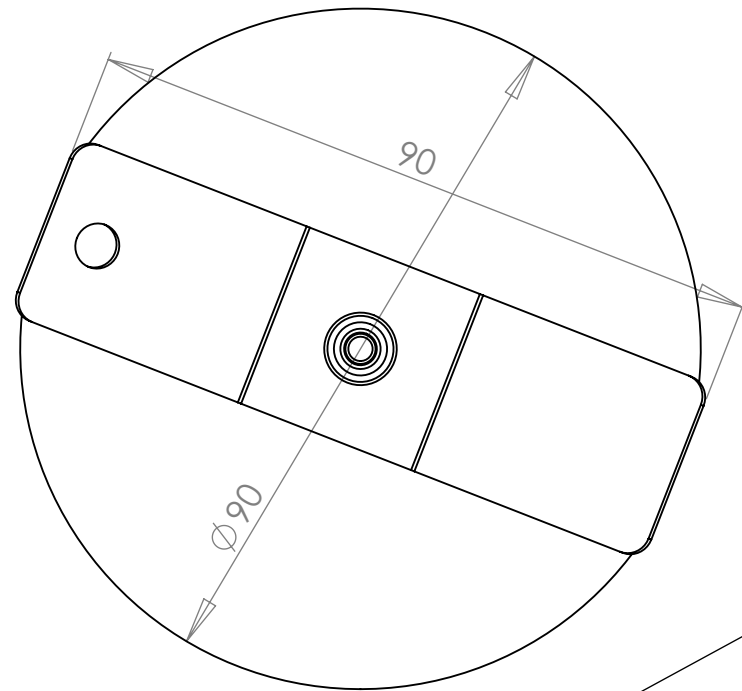
B

B

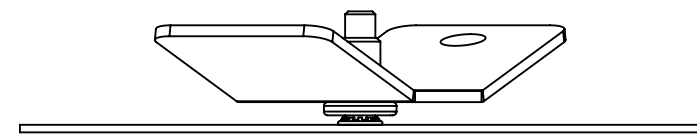
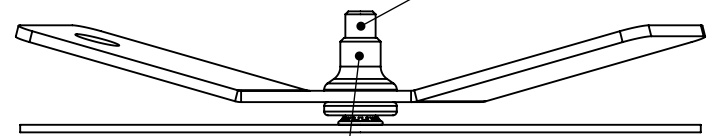
C

C

D



M4 x 16
Weld Stud



M4 Rivnut
9mm Diameter
Flange

Description		Tdb1 Trim Disc Blanking Plate - 5Cm Fitting			
UNLESS OTHERWISE SPECIFIED: DIMENSIONS ARE IN MILLIMETERS	Saved Date: 24 August 2021	DRW - REV REV - A-006	See Below - Special Notes		
	Created Date: 26 August 2021				
SURFACE FINISH: Powder Coated	Bend Tool:	Material:	Part Number & Part Revision Ass--20015293 REV - A-006		
Created By System Administrator Unicol Engineering Green Road Oxford OX3 8EU	Gauge:				
WEIGHT: 0.08		Kg	SCALE:1:1	DO NOT SCALE DRAWING	SHEET 1 OF 1

1 2 3 4 5 6