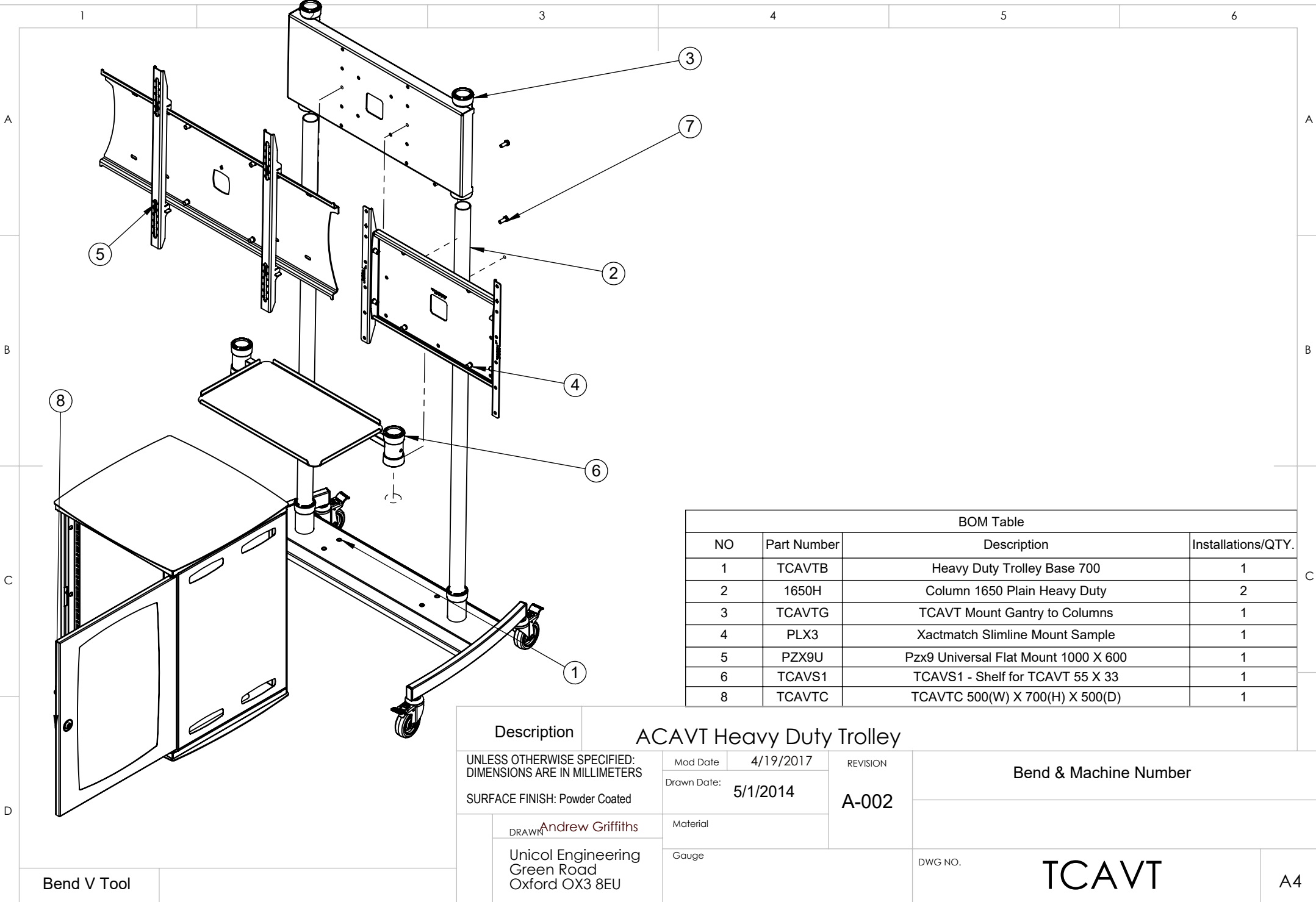


Description		ACAVT Heavy Duty Trolley			
UNLESS OTHERWISE SPECIFIED: DIMENSIONS ARE IN MILLIMETERS	Mod Date	4/19/2017	REVISION	See Below - Fixings Required	
	Drawn Date:	5/1/2014			
SURFACE FINISH: Powder Coated			A-002		
DRAWN Andrew Griffiths Unicol Engineering Green Road Oxford OX3 8EU	Material		DWG NO.	TCAVT	
	Gauge				
WEIGHT: 64.80		Kg	SCALE:1:15	DO NOT SCALE DRAWING	SHEET 1 OF 2

A4



BOM Table			
NO	Part Number	Description	Installations/QTY.
1	TCAVTB	Heavy Duty Trolley Base 700	1
2	1650H	Column 1650 Plain Heavy Duty	2
3	TCAVTG	TCAVT Mount Gantry to Columns	1
4	PLX3	Xactmatch Slimline Mount Sample	1
5	PZX9U	Pzx9 Universal Flat Mount 1000 X 600	1
6	TCAVS1	TCAVS1 - Shelf for TCAVT 55 X 33	1
8	TCAVTC	TCAVTC 500(W) X 700(H) X 500(D)	1

Description		ACAVT Heavy Duty Trolley	
UNLESS OTHERWISE SPECIFIED: DIMENSIONS ARE IN MILLIMETERS		Mod Date	4/19/2017
SURFACE FINISH: Powder Coated		Drawn Date:	5/1/2014
DRAWN Andrew Griffiths		Material	REVISION A-002
Unicol Engineering Green Road Oxford OX3 8EU		Gauge	
Bend V Tool		Bend & Machine Number	
		DWG NO. TCAVT	
		A4	