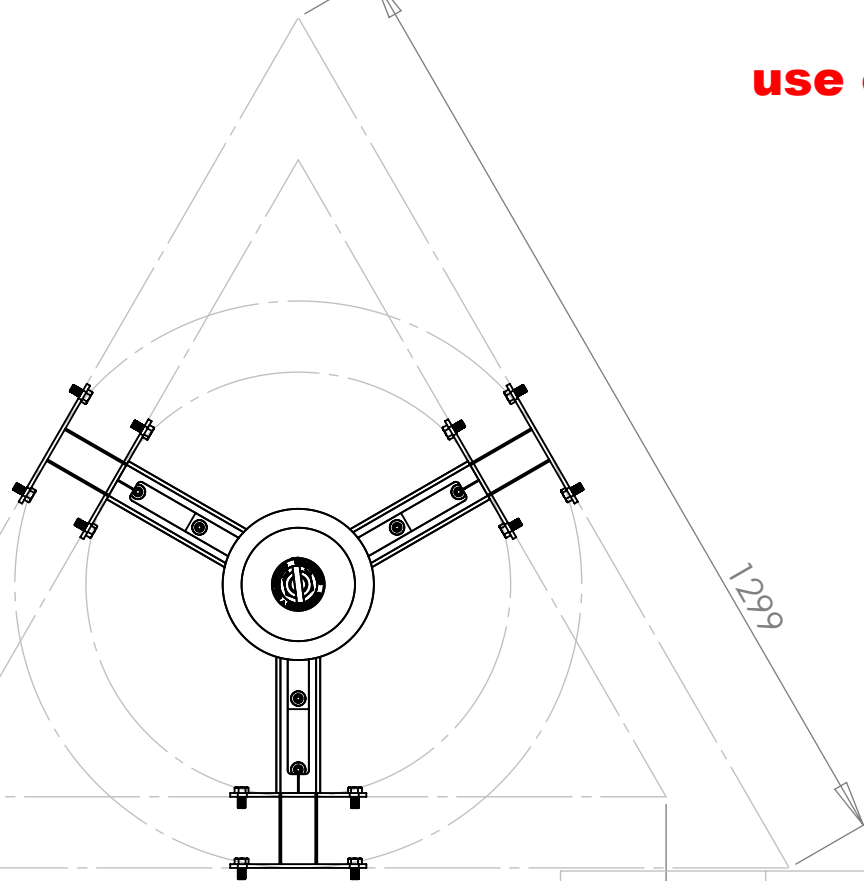


use only heavy duty columns and cp5



Description Adjustable 3 Screen Gantry 975 - 1300 Width Screens

UNLESS OTHERWISE SPECIFIED:
DIMENSIONS ARE IN MILLIMETERS

SURFACE FINISH: Powder Coated

Created By System Administrator
Unicol Engineering
Green Road
Oxford OX3 8EU

Saved Date: 25 August 2021
Created Date: 27 August 2021
Bend Tool:

Material:

Gauge:

DRW - REV
REV - A-014

See Below - Special Notes

Part Number & Part Revision

Ass--20018190 REV - A-014

WEIGHT: 11.61

Kg

SCALE:1:10

DO NOT SCALE DRAWING

SHEET 1 OF 1