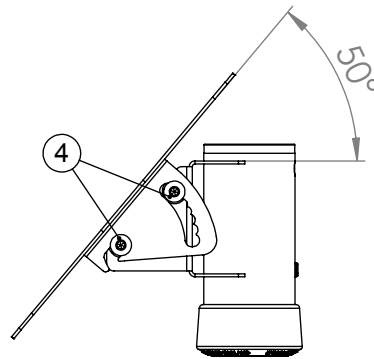
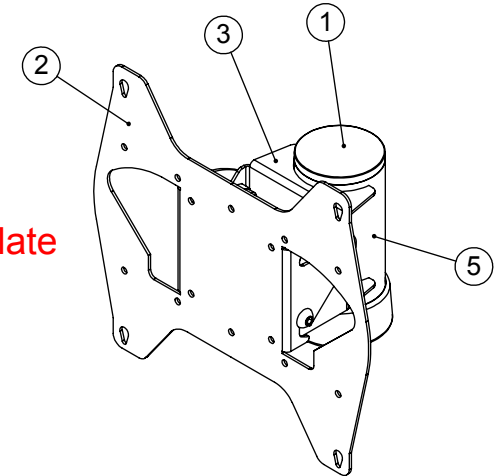
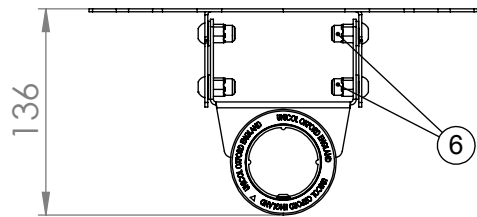


Weld socket to back plate
X4 places



BOM Table			
NO	Part Number	Description	QTY.
1	Par--20006675	ISC unicol Standard Socket Cap Internal	1
2	Par--20004108	Sev Vesa 75X75 100X100 100X200 Front Plate	1
3	Par--20004107	SEV Back Plate to Socket	1
4	BH-MET-8X20-HT-BO	Button Head Screw M8 X 20 (High Tensile Black Oxide)	4
5	Ass--20003783	5inch Socket with 1 cap and dimpled	1
6	HRI-MET-8-HT-CZN	Flat Head Half Hex Body Rivnut M8	4



Description		SEV1 Single Column Vesa 75X75 100X100 200X100	
UNLESS OTHERWISE SPECIFIED: DIMENSIONS ARE IN MILLIMETERS	Created By Ricky Clark	Material:	DRW - REV REV - B-030
	Unicol Engineering Green Road Oxford OX3 8EU	Gauge:	
SURFACE FINISH: Powder Coated		See Below - Special Notes	
Saved Date: 09 March 2023 Created Date: 09 March 2023 Bend Tool:		Fixings:FIXKIT3	
Part Number & Part Revision			
WEIGHT: 1.70		Ass--20002187 REV - B-030	
Kg		SCALE:1:5	DO NOT SCALE DRAWING SHEET 1 OF 1