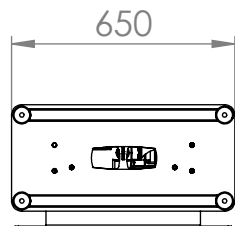
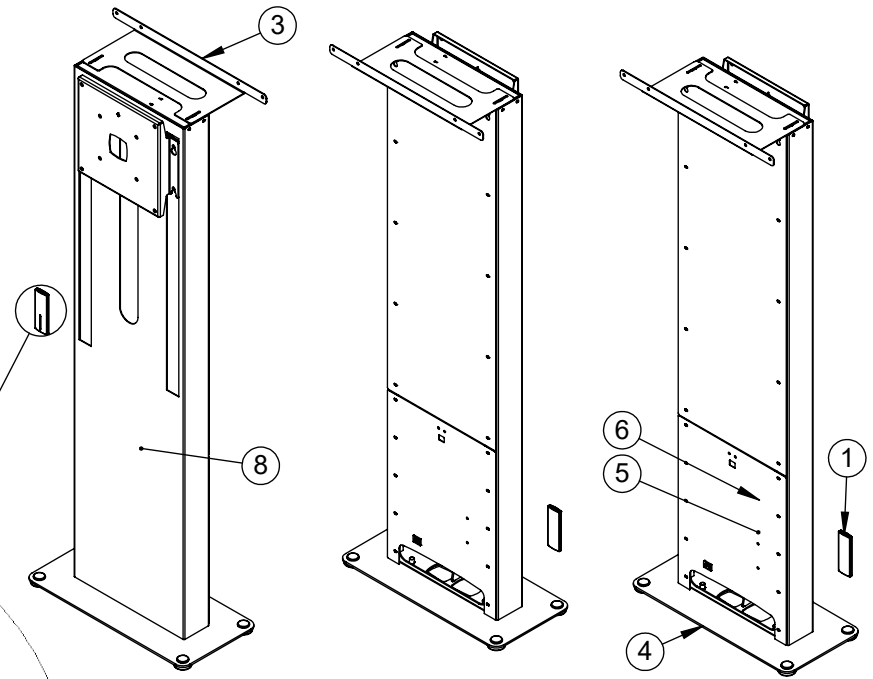
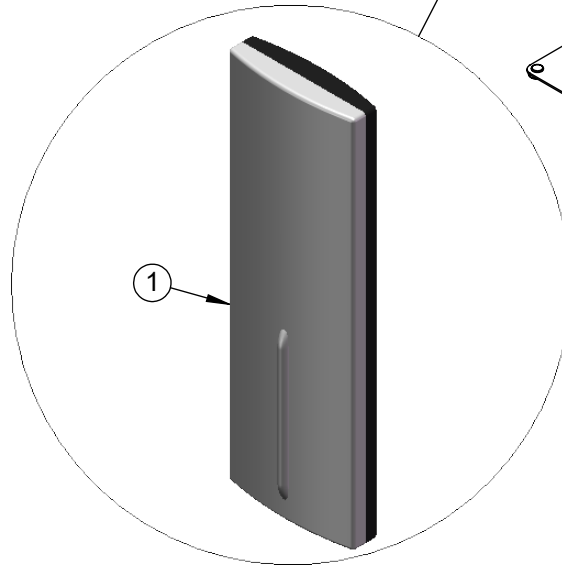


+25
355 -25



1843

650



BOM Table

NO	Part Number	Description	QTY.
1	PLC_HC10BL	Powalift controller	1
2	PAR--20045392	Robus Cap Pit Power floor - wall	1
3	PAR--20042446	Rhobus Wall Fixing Plate	1
4	Ass--20026664	Rhb1 Rhobus Base Bolt Down	1
5	LCBCBD6S	Linak Cbd6s Control Box S	1
6	LBR-BLE2LIN001	Linak bluetooth receiver RJ45 dongle BLE2LIN001	1
7	Par--20031695	Bolt On Flange Twin Slot	1
8	ASS--20030031	Rhobus Powalift 700 Mast floor - wall	1

Description rhobus power lift floor - wall

UNLESS OTHERWISE SPECIFIED:
DIMENSIONS ARE IN MILLIMETERS

SURFACE FINISH: Powder Coated

Created By System Administrator
Unicol Engineering
Green Road
Oxford OX3 8EU

Saved Date: 24 October 2022
Created Date: 01 September 2021
Bend Tool:

Material:

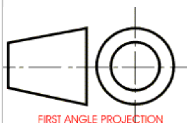
Gauge:

DRW - REV
REV - A-016

See Below - Special Notes

Part Number & Part Revision

ASS--20030028 REV - A-016



FIRST ANGLE PROJECTION

1

2

3

WEIGHT: 66.21

Kg

SCALE:1:22

DO NOT SCALE DRAWING

SHEET 1 OF 1