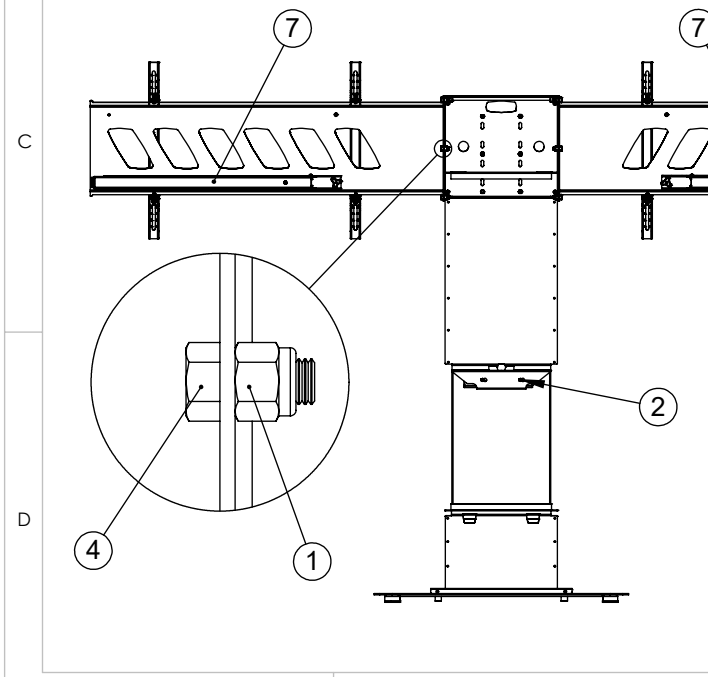


BOM Table			
NO	Part Number	Description	QTY.
1	NN-MET-12-HT-CZN	Nyloc (Nylon Insert) Nuts M12 ( High Tensile Bright Zinc Plated Clear Passivated )	10
2	HMS-MET-6X16-HT-BO	Hex Machine Screw M6 X 16 ( High Tensile Black Oxide )	2
3	HMS-MET-12X35-HT-BO	Hex Machine Screw M12 X 35 ( High Tensile Black Oxide )	4
4	HMS-MET-12X25-HT-CZN	Hex Machine Screw M12 X 25 ( High Tensile Bright Zinc Plated Clear Passivated )	10
5	Ass--20025139	Pzx9 - Pozimount End Arm Type 9	4
6	ASS--20056000	Twin screen bolt down base cover assembly	1
7	ASS--20055972	Side by Side Rhobus screen steady	2
8	ASS--20055819	Twin 86 inch screens side by side single free standing base	1
9	ASS--20055814	Twin screen Rhobus mast assembly	1
10	ASS--20055802	Twin screen Rhobus PZX9 Side assembly	1
11	ASS--20055801	Twin screen Rhobus PZX9 Side assembly	1



Description		Twin screen Rhobus single mast free standing	
UNLESS OTHERWISE SPECIFIED: DIMENSIONS ARE IN MILLIMETERS	Saved Date: 30 April 2024	DRW - REV <b>REV - A-008</b>	See Below - Special Notes
	Created Date: 30 April 2024		
SURFACE FINISH: Powder Coated	Bend Tool:	Material:	Part Number & Part Revision <b>ASS--20055797 REV - A-008</b>
	Created By Tim Smith		
Unicol Engineering Green Road Oxford OX3 8EU		WEIGHT: 153.99 Kg	