

1 2 3 4 5 6

A

A

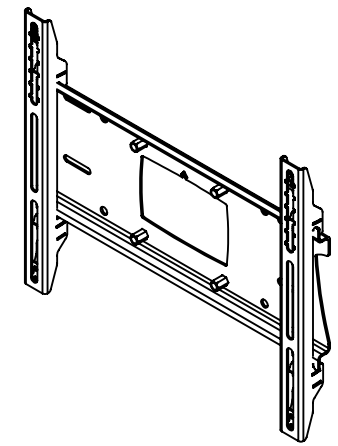
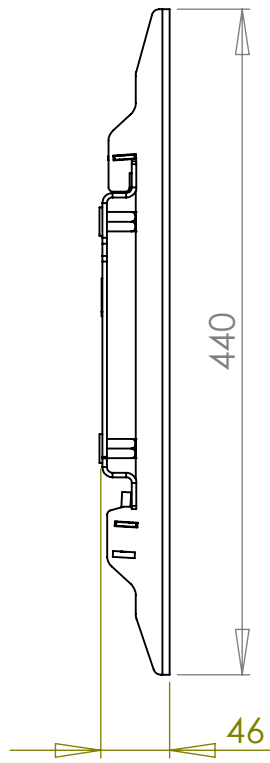
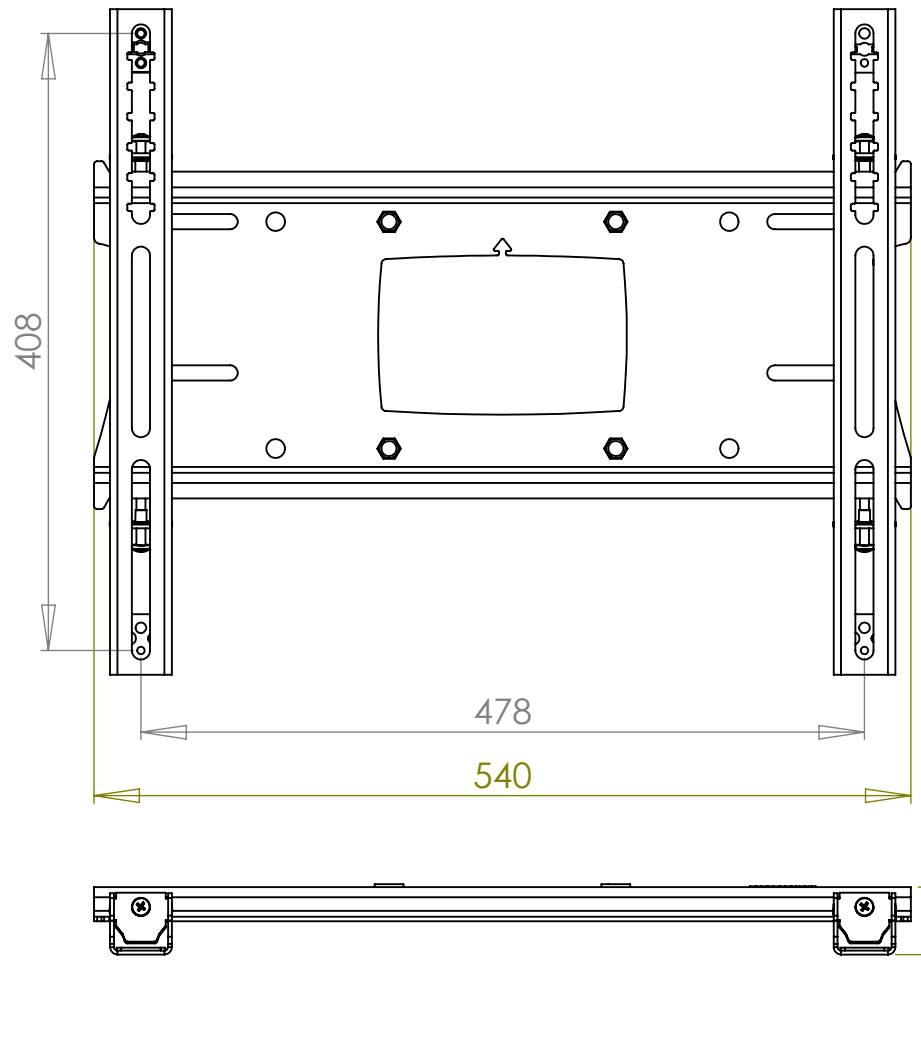
B

B

C

C

D



Description		PZX3 Pozimount Type 3 Non-Tilting		
UNLESS OTHERWISE SPECIFIED: DIMENSIONS ARE IN MILLIMETERS	Saved Date: 28 January 2022 Created Date: 23 August 2021 Bend Tool:		DRW - REV <b>REV - H-354</b>	See Below - Special Notes
	SURFACE FINISH: Powder Coated			
Created By System Administrator, Unicol Engineering Green Road Oxford OX3 8EU	Material:		Part Number & Part Revision <b>Ass--20001489 REV - H-354</b>	
	Gauge:			
WEIGHT: 4.08		Kg		SCALE:1:5 DO NOT SCALE DRAWING SHEET 1 OF 1

1 2 3 4 5 6