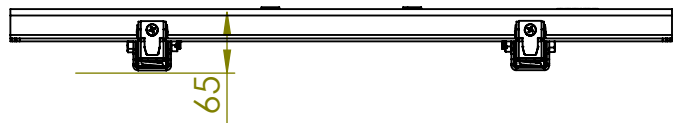
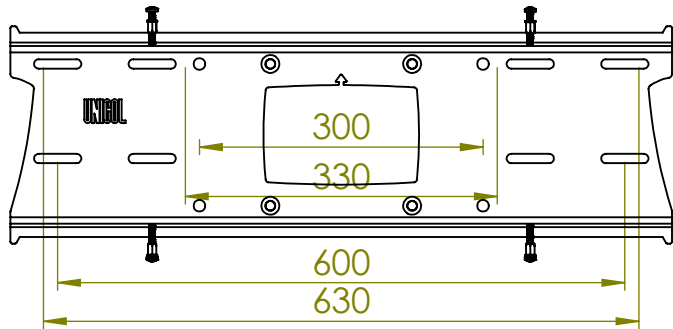


Wall Fixing Points



BOM Table				
NO	Configuration	Part Number	Description	QTY.
1	Default	Ass--20002601	PZW1 Arm only Tilting Left	1
2	Default	Ass--20001673	PZW1 Arm only Tilting Right	1
3	Default	Par--20002969	GLS Griplock Spacer	2
4	Default	Par--20002970	GLT Griplock Tags	2
5	Default	ASS--20053236	Pozimount Type 8 Back Plate	1

Description		Pzw 8 Pozimount Type 8 Tilting		
UNLESS OTHERWISE SPECIFIED: DIMENSIONS ARE IN MILLIMETERS	Created By System Administrator	UNICOL	DRW - REV	See Below - Special Notes
	Unicol Engineering Green Road Oxford OX3 8EU	UNICOL	REV - A-003	
SURFACE FINISH: Powder Coated	Created By System Administrator	UNICOL	Part Number & Part Revision	Ass--20025511 REV - A-003
	Unicol Engineering Green Road Oxford OX3 8EU	UNICOL		
		WEIGHT: 6.24	Kg	SCALE:1:8 DO NOT SCALE DRAWING SHEET 1 OF 1