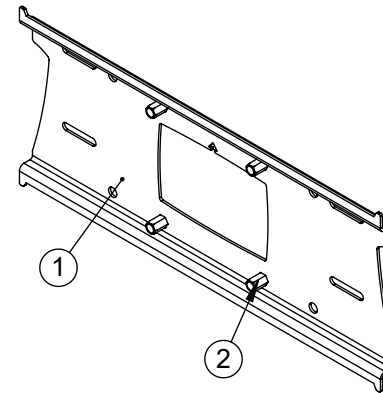


REAR VIEW



BOM Table			
NO	Part Number	Description	QTY.
1	Par--20002632	Pozimount Type 3 Back Panel	1
2	FRI-MET-10-PS-CZN	Flat Head Full Hex Body Rivnut M10	4

Description		PZX3 Back Plate Only	
UNLESS OTHERWISE SPECIFIED: DIMENSIONS ARE IN MILLIMETERS	Created By Dennis Neale	Material:	DRW - REV <b>REV - A-022</b>
	Unicol Engineering Green Road Oxford OX3 8EU	Gauge:	
SURFACE FINISH: Powder Coated		See Below - Special Notes	
		Part Number & Part Revision <b>Ass--20003142 REV - A-022</b>	

WEIGHT: 2.64

Kg

SCALE:1:8

DO NOT SCALE DRAWING

SHEET 1 OF 1