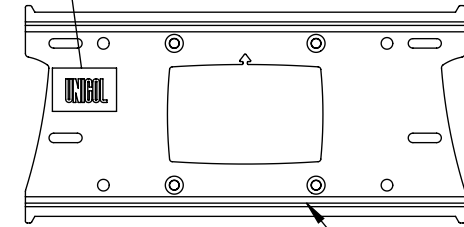
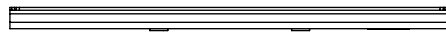
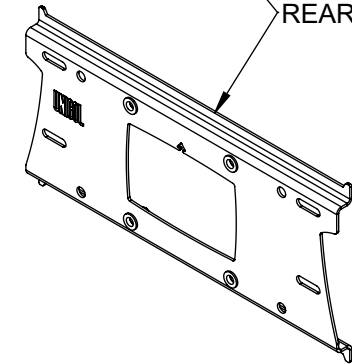
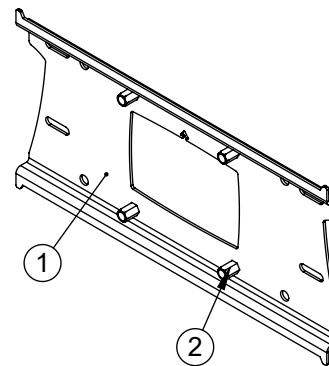


UNICOL LOGO STAMP
TO BE READ FROM REAR



REAR VIEW



BOM Table			
NO	Part Number	Description	QTY.
1	Par--20021062	Pozimount Type 0 Back Panel	1
2	FRI-MET-10-PS-CZN	Flat Head Full Hex Body Rivnut M10	4

Description		PZX0 Back Plate Only	
UNLESS OTHERWISE SPECIFIED: DIMENSIONS ARE IN MILLIMETERS	Created By	Material:	DRW - REV REV - A-019
	Created By Dennis Neale	Gauge:	
SURFACE FINISH: Powder Coated		See Below - Special Notes	
Unicol Engineering Green Road Oxford OX3 8EU		Part Number & Part Revision Ass--20025050 REV - A-019	