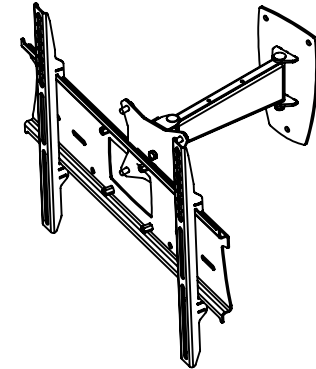
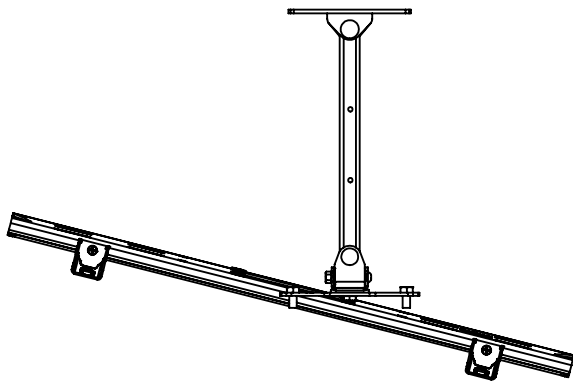
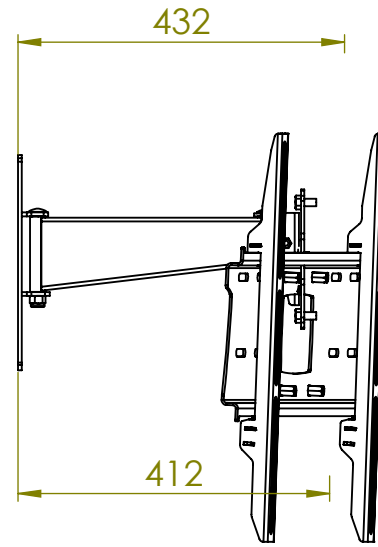
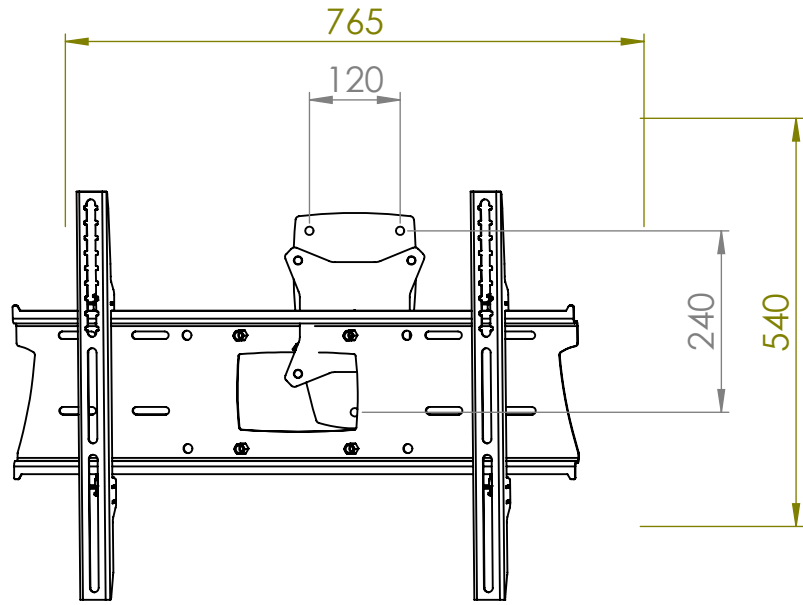


Fixing Kit

Universal Fixing Kit



Description		Pls With Pzx1 Universal Mount	
UNLESS OTHERWISE SPECIFIED: DIMENSIONS ARE IN MILLIMETERS	Created Date: 02 May 2023	DRW - REV <b>REV - A-005</b>	See Below - Special Notes
	Created Date: 25 August 2021		
SURFACE FINISH: Powder Coated	Bend Tool:		
Created By System Administrator Unicol Engineering Green Road Oxford OX3 8EU	Material:	Part Number & Part Revision <b>Ass--20011534 REV - A-005</b>	
	Gauge:		
	WEIGHT: 10.17	Kg	

Part Number & Part Revision  
**Ass--20011534 REV - A-005**