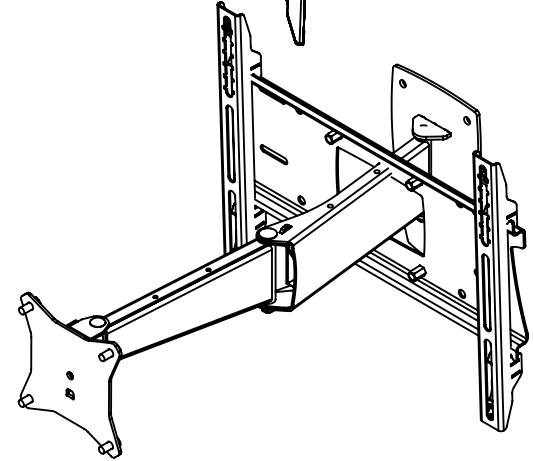
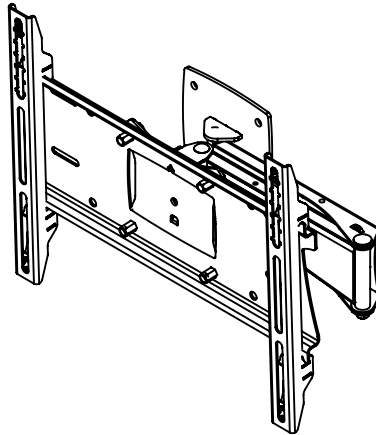
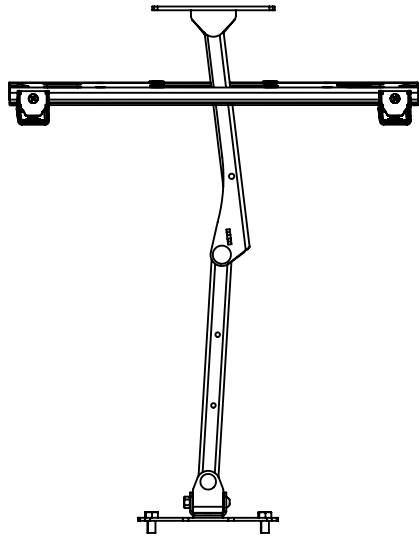
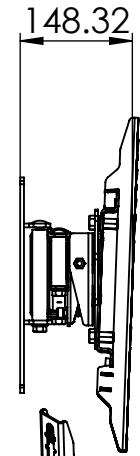
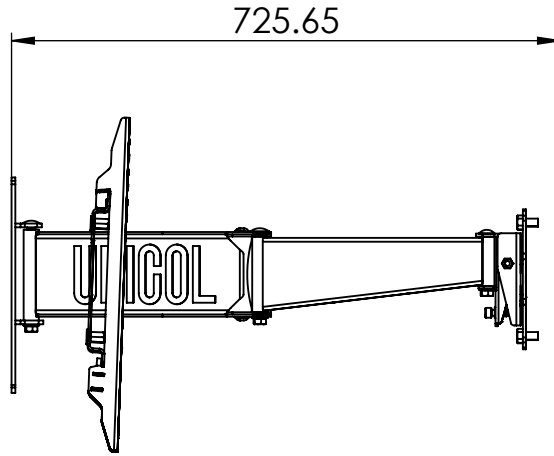
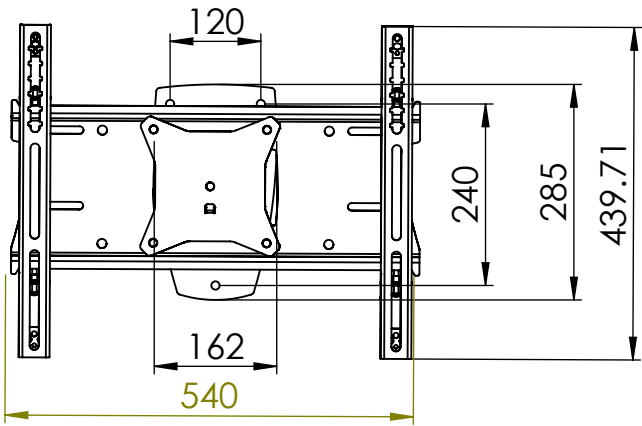


Fixing Kit

Universal Fixing Kit



Description		Pla1 pzx3 Pla With Pzx3 Universal Tilting Mount	
UNLESS OTHERWISE SPECIFIED: DIMENSIONS ARE IN MILLIMETERS	Saved Date: 24 August 2021	DRW - REV REV - A-004	See Below - Special Notes
	Created Date: 25 August 2021		
SURFACE FINISH: Powder Coated	Bend Tool:		
Created By System Administrator Unicol Engineering Green Road Oxford OX3 8EU	Material:	Part Number & Part Revision Ass--20011535 REV - A-004	
	Gauge:		
WEIGHT: 11.04		Kg	SCALE:1:10 DO NOT SCALE DRAWING SHEET 1 OF 1