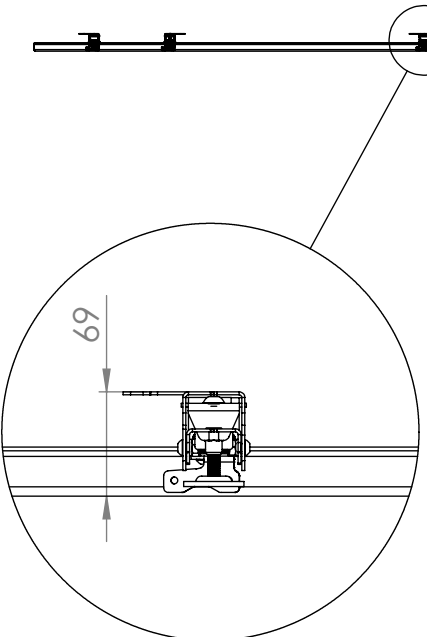


4800
4774.86

538



BOM Table			
NO	Part Number	Description	QTY.
1	Ass--20016964	Md2u Pzaa Compatible Back Plate 120Cm	1
2	Ass--20018481	Md2u Pzaa Compatible Back Plate 180Cm	2
3	BH-MET-10X25-HT-BO	Button Head Screw M10 X 25 (High Tensile Black Oxide)	4
4	FW-MET-10-HT-CZN	Flat Washer M10 (High Tensile Bright Zinc Plated Clear Passivated)	4
5	SN-MET-10-HT-CZN	Stover Nut M10 (High Tensile Bright Zinc Plated Clear Passivated)	4
6	Ass--20018757	Vva3 - Vwa1 - Left And Right Arms Landscape	4

Description		Screen rail multi - display MBW455	
UNLESS OTHERWISE SPECIFIED: DIMENSIONS ARE IN MILLIMETERS	Created By Dennis Neale	Material:	See Below - Special Notes
	Unicol Engineering Green Road Oxford OX3 8EU	Gauge:	
SURFACE FINISH: Powder Coated		DRW - REV REV - A-002	Part Number & Part Revision ASS--20053639 REV - A-002
Saved Date: 04 February 2022 Created Date: 02 September 2021 Bend Tool:		WEIGHT: 33.25 Kg	
SCALE:1:30		DO NOT SCALE DRAWING	
SHEET 1 OF 1			