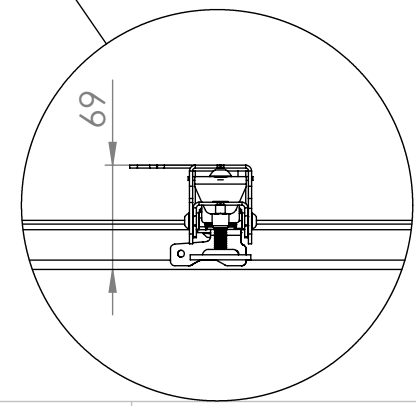
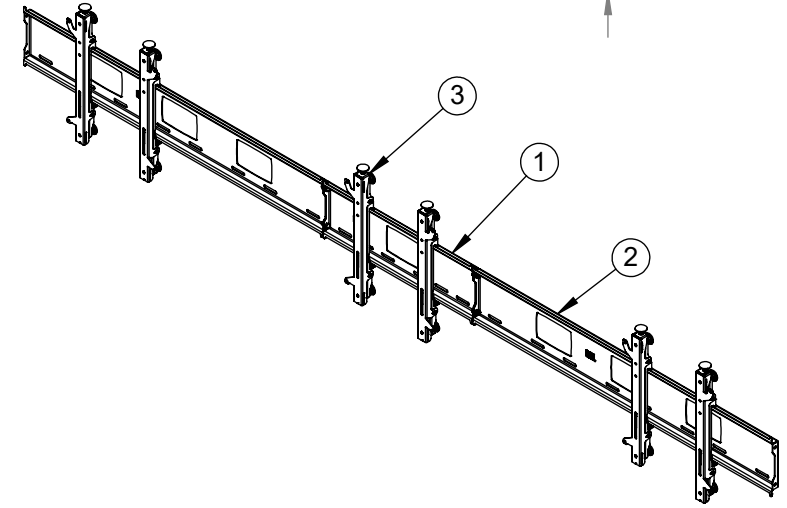
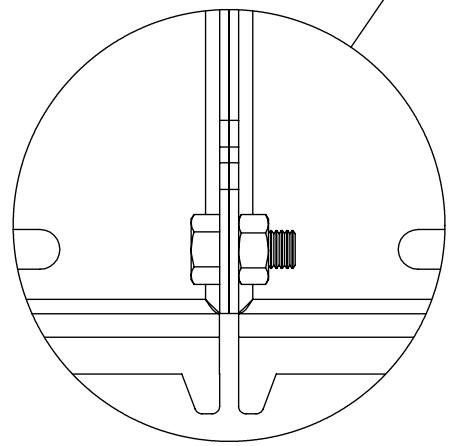
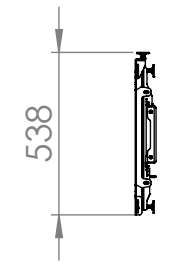
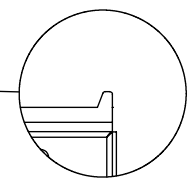
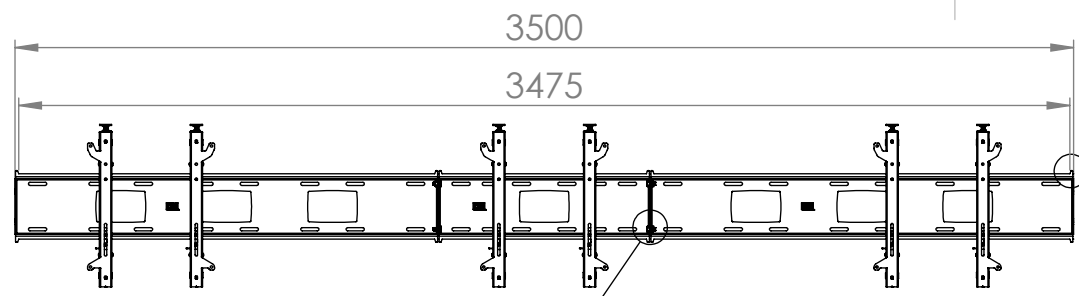


1 2 3 4 5 6



BOM Table			
NO	Part Number	Description	QTY.
1	Ass--20013672	Md2u Pzaa Compatible Back Plate 70Cm	1
2	Ass--20013673	Md2u Pzaa Compatible Back Plate 140Cm	2
3	Ass--20018757	Vwa3 - Vwa1 - Left And Right Arms Landscape	3

Description		Sreen rail multi - disply MBW350	
UNLESS OTHERWISE SPECIFIED: DIMENSIONS ARE IN MILLIMETERS		Saved Date: 04 February 2022	DRW - REV REV - A-001
SURFACE FINISH: Powder Coated		Created Date: 02 September 2021	
Created By Dennis Neale		Material:	See Below - Special Notes
Unicol Engineering Green Road Oxford OX3 8EU		Gauge:	
		Part Number & Part Revision ASS--20053630 REV - A-001	

1 2 3 4 5 6 WEIGHT: 24.53 Kg SCALE:1:25 DO NOT SCALE DRAWING SHEET 1 OF 1