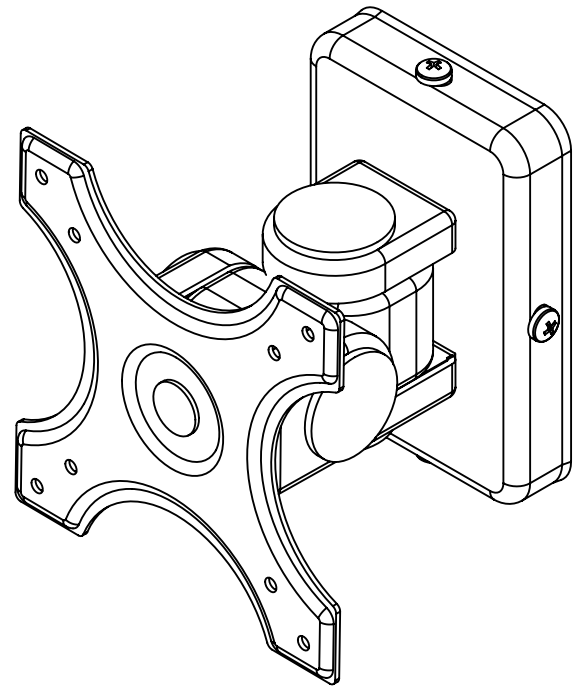
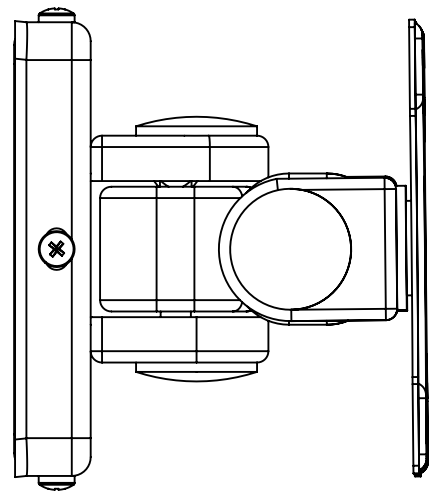
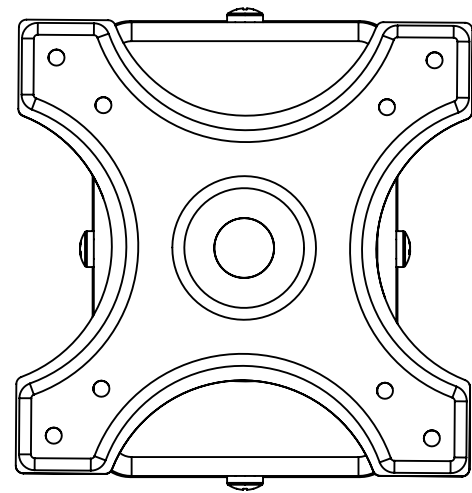


1 2 3 4 5 6

A

A

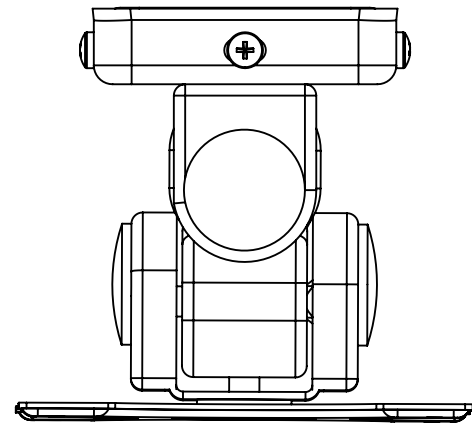


B

B

C

C



D

Description		LVB Vesa Tilt and Swivel Wall Unit		
UNLESS OTHERWISE SPECIFIED: DIMENSIONS ARE IN MILLIMETERS	Created By System Administrator	Material:	DRW - REV REV - A-015	See Below - Special Notes
	Unicol Engineering Green Road Oxford OX3 8EU	Gauge:		
SURFACE FINISH: Powder Coated		Part Number & Part Revision		Ass--20008251 REV - A-015
WEIGHT: 1.35		Kg		

1 2 3 4 5 6 SCALE:1:2 DO NOT SCALE DRAWING SHEET 1 OF 1