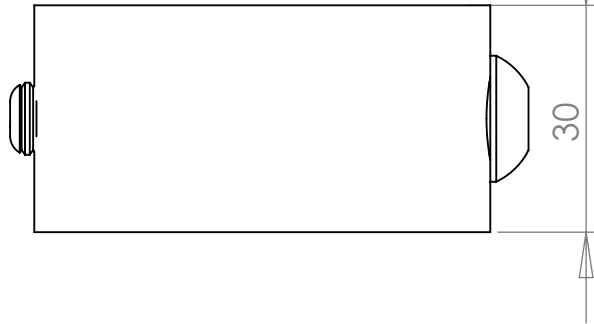
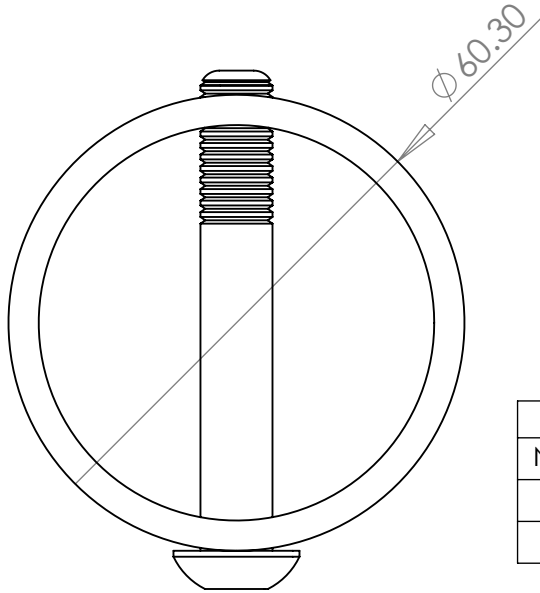


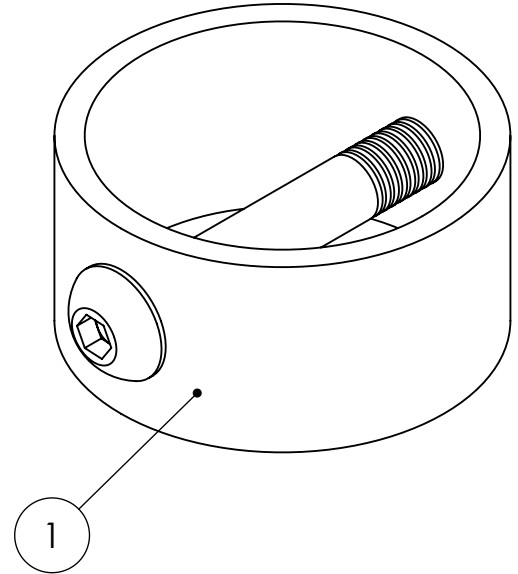
2



30



$\phi 60.30$



1

BOM Table			
NO	Part Number	Description	QTY.
1	Par--20011578	LRS Locking Ring	1
2	UBH-IMP-3_8 BSWX25-HT-BO	Unicol Button Through Bolt 3/8 BSF X 2.5 (High Tensile Black Oxide)	1

Description		LRS Locking Ring	
UNLESS OTHERWISE SPECIFIED: DIMENSIONS ARE IN MILLIMETERS	Created By System Administrator	Material:	DRW - REV REV - A-043
	SURFACE FINISH: Powder Coated	Gauge:	
Created By System Administrator Unicol Engineering Green Road Oxford OX3 8EU	Part Number & Part Revision		Ass--20006233 REV - A-043

WEIGHT: 0.17 Kg

SCALE:1:1 DO NOT SCALE DRAWING SHEET 1 OF 1