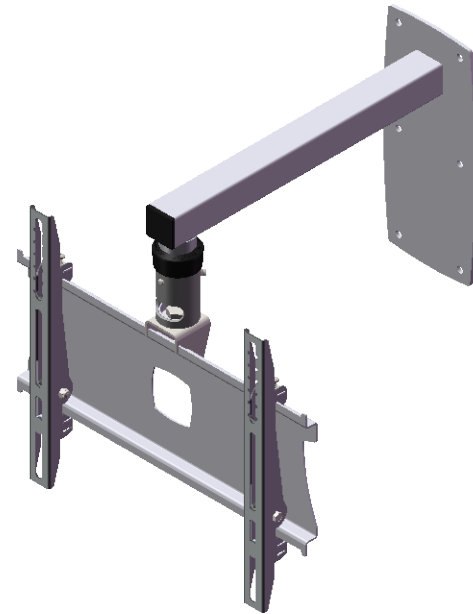
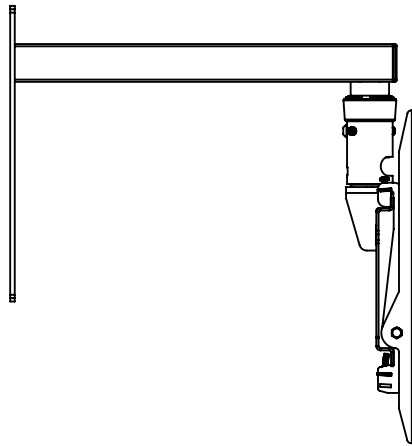
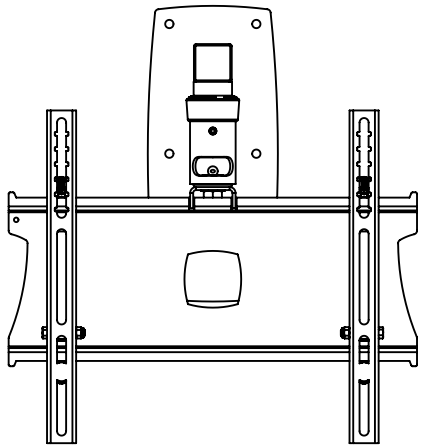


1 2 3 4 5 6

Fixings Supplied Universal Fixing Kit

A

A

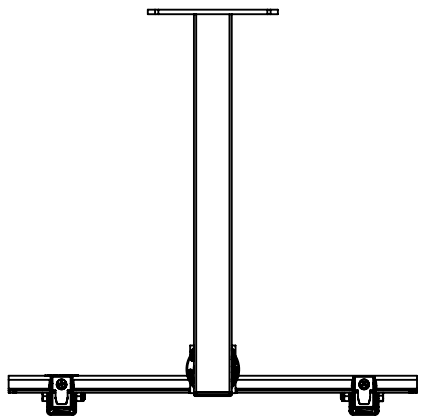


B

B

C

C



D

Description		Kpwb3 - Direct Coupled Kp3 With Wb1	
UNLESS OTHERWISE SPECIFIED: DIMENSIONS ARE IN MILLIMETERS	Created By System Administrator	Material:	DRW - REV REV - A-002
	Unicol Engineering Green Road Oxford OX3 8EU	Gauge:	
SURFACE FINISH: Powder Coated		See Below - Special Notes	
		Supply With Universal Fixing Kit	
		Part Number & Part Revision Ass--20017641 REV - A-002	

1 2 3 4 5 6 WEIGHT: 11.11 Kg SCALE:1:10 DO NOT SCALE DRAWING SHEET 1 OF 1