

1 2 3 4 5 6

A

B

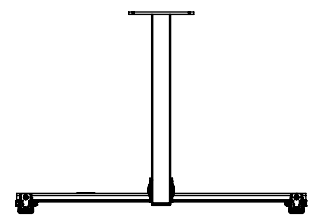
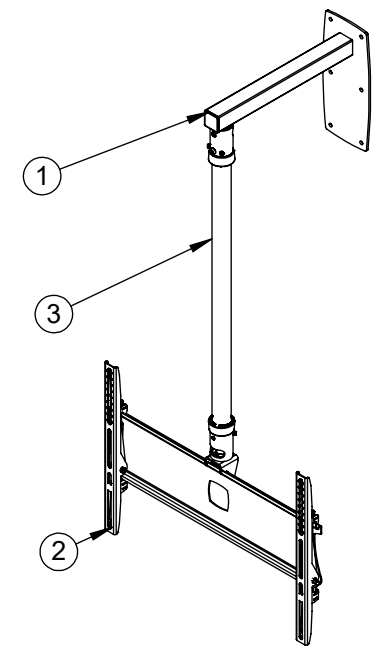
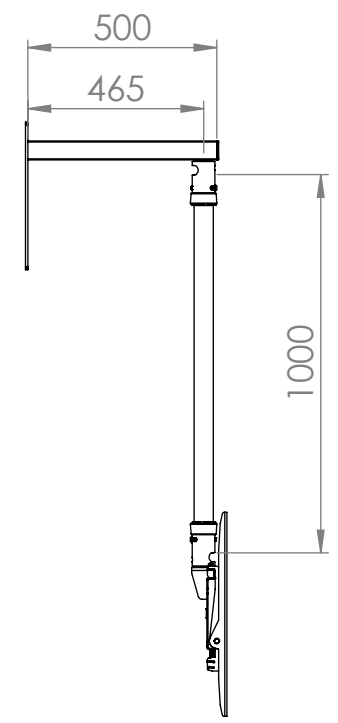
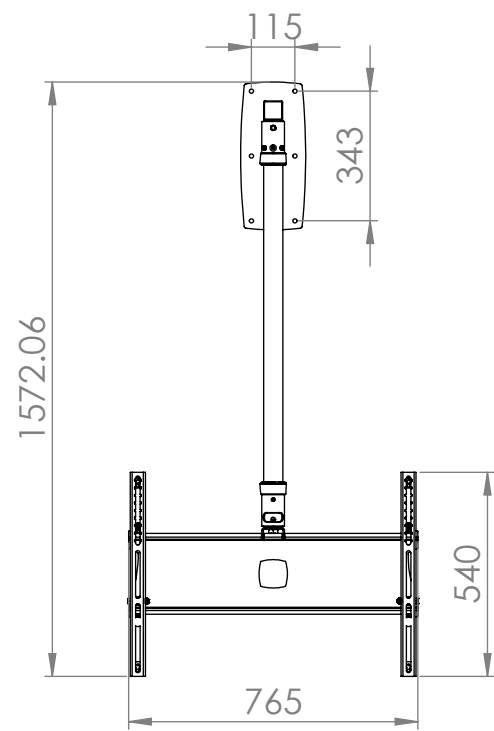
C

D

A

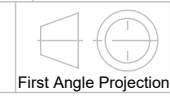
B

C



BOM Table			
NO	Part Number	Description	QTY.
1	Ass--20003590	WB2 500mm 465mm Socket centre	1
2	Ass--20001633	KPL Type 1 Single Screen	1
3	1000C	1000 Column Ceiling Suspended (Standard)	1

Description		KP110WB KP1-100CM-WB2	
UNLESS OTHERWISE SPECIFIED: DIMENSIONS ARE IN MILLIMETRES		Modified Date: 07 October 2024 Created Date: 24 September 2013	DRW - REV REV - A-003
SURFACE FINISH: Powder Coat		Bend Tool:	
Created By Ricky Clark		Material:	See Below - Special Notes 200X200 - 600X400 Vesa
Unicol Engineering Green Road Oxford OX3 8EU		Gauge:	
		Part Number & Part Revision Ass--20017643 REV- A-003	



First Angle Projection