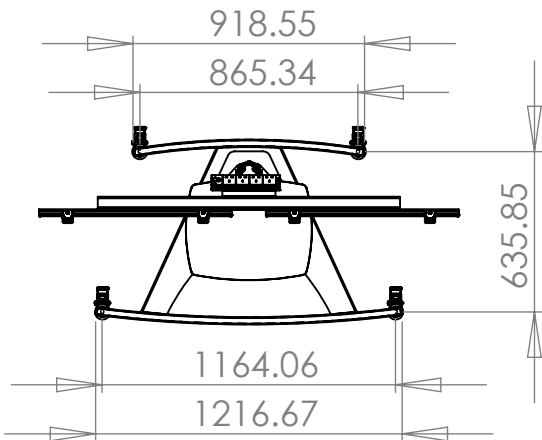


BOM Table			
NO	Part Number	Description	QTY.
1	Ass--20007738	Axia Titan trolley base only	1
2	Ass--20001332	AXGS Axia Glass Shelf Support	1
3	Ass--20004961	AX17 Mast Unit Heavy Duty	1
4	Par--20019195	Axia High Cover Plate	1
5	Ass--20010947	Axia video conference type 2 span bar 1200mm	1
6	HMS-MET-10X20-HT-BO	Hex Machine Screw M10 X 20 (High Tensile Black Oxide)	12
7	BH-MET-10X25-HT-BO	Button Head Screw M10 X 25 (High Tensile Black Oxide)	4
8	Ass--20001677	PZX1 Pozimount type 1 Non-Tilting	2
9	SCS-MET-6X12-HT-CZN	Socket Cap Bolt M6 X 12 (High Tensile Bright Zinc Plated Clear Passivated)	4



Description		AXC15T21 Axia Stand Twin Pzx1 - Type 2 Joiner	
UNLESS OTHERWISE SPECIFIED: DIMENSIONS ARE IN MILLIMETERS	Saved Date: 28 March 2024	DRW - REV REV - A-016	See Below - Special Notes
	Created Date: 28 March 2024		
SURFACE FINISH: Powder Coated	Bend Tool:	Material:	Part Number & Part Revision
	Created By Specials One		
Unicol Engineering Green Road Oxford OX3 8EU		Ass--20010941 REV - A-016	
WEIGHT: 57.97		Kg	SCALE:1:30 DO NOT SCALE DRAWING SHEET 1 OF 1