

1 2 3 4 5 6

A

B

C

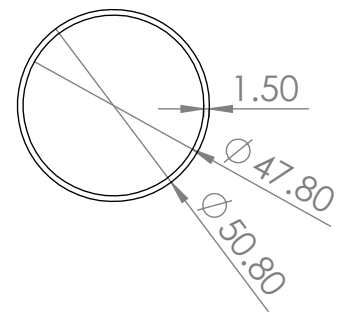
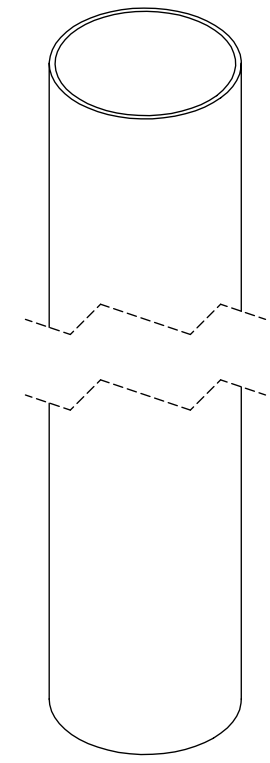
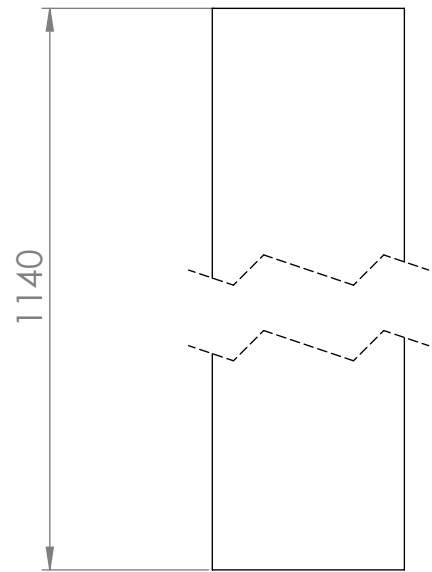
D

A

B

C

D



BOM Table			
NO	Part Number	Description	QTY.
1	1140	1140 Column Standard	1

Description		1140 Column Standard	
UNLESS OTHERWISE SPECIFIED: DIMENSIONS ARE IN MILLIMETERS	Created By Ashley Snowden	Material:	DRW - REV REV - A-001
	Unicol Engineering Green Road Oxford OX3 8EU	Gauge:	
SURFACE FINISH: Powder Coated		See Below - Special Notes	
Saved Date: 20 September 2021 Created Date: 20 September 2021 Bend Tool:		Part Number & Part Revision ASS--20054447 REV - A-001	
WEIGHT: 2.09		Kg	