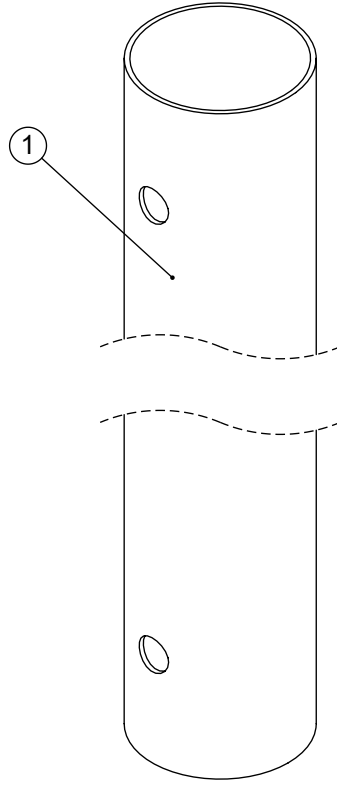
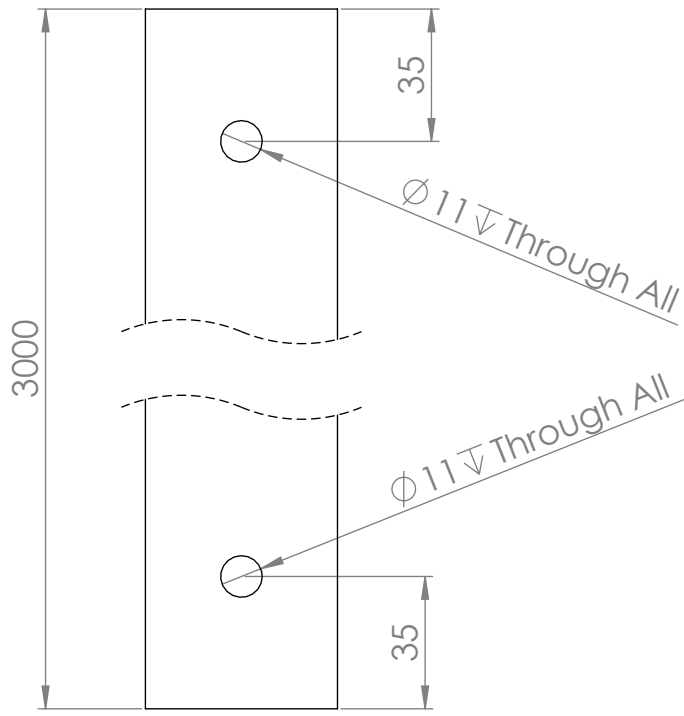


1 2 3 4 5 6

A

A

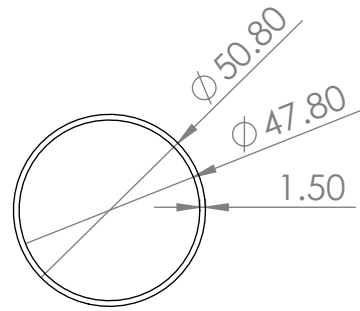


B

B

C

C



BOM Table			
NO	Part Number	Description	QTY.
1	3000C	3000 Column Ceiling Suspended (Standard)	1

Description		3000 Ceiling Suspended Column	
UNLESS OTHERWISE SPECIFIED: DIMENSIONS ARE IN MILLIMETERS	Created By Ashley Snowden	Material:	DRW - REV <b>REV - A-001</b>
	Unicol Engineering Green Road Oxford OX3 8EU	Gauge:	
SURFACE FINISH: Powder Coated		See Below - Special Notes	
Saved Date: 27 August 2021 Created Date: 02 September 2021 Bend Tool:		Part Number & Part Revision <b>ASS--20052628 REV - A-001</b>	
WEIGHT: 5.50		Kg	

1 2 3 4 5 6

D

SCALE:1:2 DO NOT SCALE DRAWING SHEET 1 OF 1