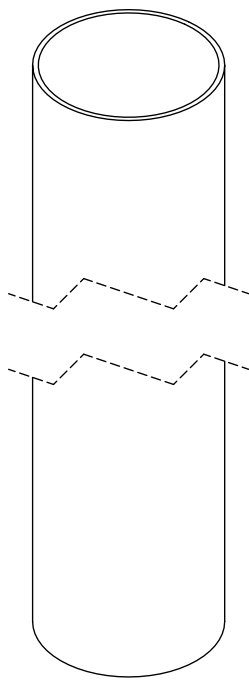
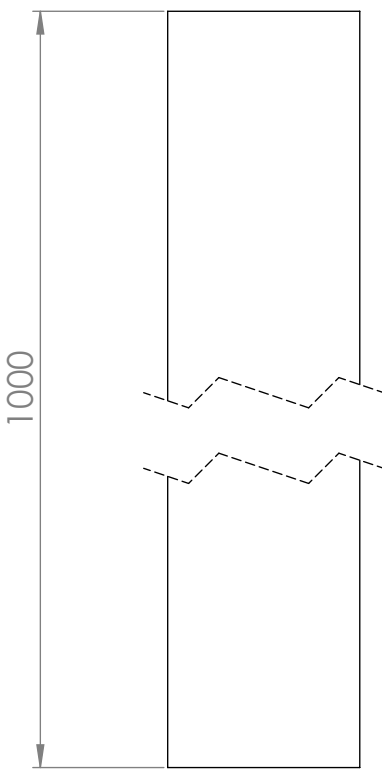


1 2 3 4 5 6

A

A



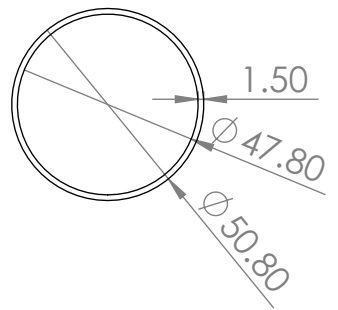
B

B

C

C

BOM Table			
NO	Part Number	Description	QTY.
1	1000	1000 Column Standard	1



Description	1000 Column Standard		
-------------	----------------------	--	--

UNLESS OTHERWISE SPECIFIED: DIMENSIONS ARE IN MILLIMETERS	Saved Date: 19 August 2021	DRW - REV REV - A-002	See Below - Special Notes
	Created Date: 02 September 2021		
SURFACE FINISH: Powder Coated	Bend Tool:	Material:	Part Number & Part Revision
Created By Ashley Snowden	Gauge:		
Unicol Engineering Green Road Oxford OX3 8EU	Part Number & Part Revision		ASS--20054450 REV - A-002

D

1 2 3 4 5 6

WEIGHT: 1.84 Kg SCALE:1:2 DO NOT SCALE DRAWING SHEET 1 OF 1