



Scan for full manual

## EXT3-C-WP-XR-T Quick Start Guide

This guide helps you install and use your EXT3-C-WP-XR-T for the first time.

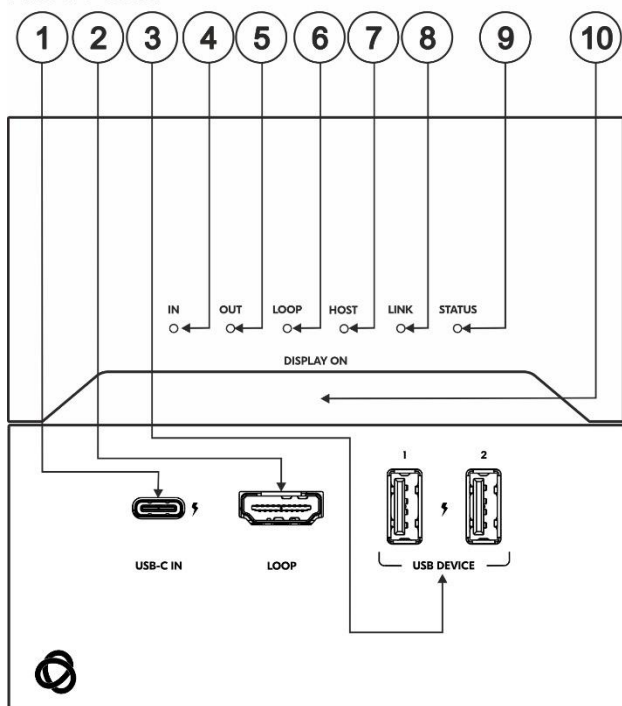
Go to [www.kramerav.com/downloads/EXT3-C-WP-XR-T](http://www.kramerav.com/downloads/EXT3-C-WP-XR-T) to download the latest user manual and check if firmware upgrades are available.

### Step 1: Check what's in the box

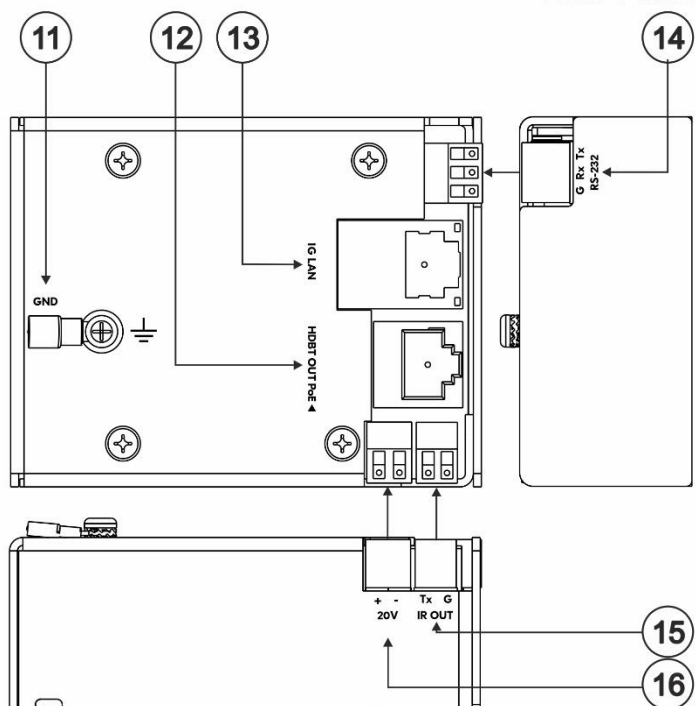
- ✔ EXT3-C-WP-XR-T 4K60 USB C Transmitter
- ✔ 1 Power cord and adapter
- ✔ 1 Multi signal USB-C cable (1m)
- ✔ 1 Upper front panel
- ✔ 1 Lower front Panel
- ✔ 1 Screw set
- ✔ 1 Quick start guide

### Step 2: Get to know your EXT3-C-WP-XR-T

Front Panel



Rear Panel



#	Feature	Function
1	USB-C IN Connector	Connect to a USB-C AV source (that supports DisplayPort Alternate Mode) for AV input, USB host connection to local and remote connected USB devices. Charges sources (that support USB Power Delivery 2.0) up to 60W when the device is powered via the power adapter). While charging, the charging icon (to the right of the connector) becomes visible and lights orange.
2	LOOP HDMI Connector	Connect to a local acceptor to view the AV signal coming from the USB-C IN input.
3	USB A 2.0 Charging Connector 1	Connect to the USB local peripheral devices (for example, a keyboard & mouse). When USB Host PC is disconnected, the USB signal and charging power for this port are inactive.
	USB A 2.0 Charging Connector 2	Connect to the USB local peripheral devices (for example, a USB camera, a soundbar, microphone and so on). When USB Host PC is disconnected, the USB charging power for this port continues to be active.
4	IN LED	Lights blue when an active AV input signal is detected from the source device that is connected to the USB-C IN port.
5	OUT LED	Lights blue when an HDMI output device is detected on the receiver side.
6	LOOP LED	Lights blue when an active signal is transmitted on the HDMI LOOP port.

#	Feature	Function
7	HOST LED	Lights orange when the USB is set to Host.
8	LINK LED	Lights green when the HDBT connection is active.
9	STATUS LED	Lights green when PSU powered and orange when PoE powered.
10	DISPLAY ON Button	Press to toggle power on/off the remote CEC-enabled display that is connected to the receiver side. Button LED lights blue when remote display power is on.
11	Ring Tongue Terminal Grounding Screw	Connected to grounding wire.
12	HDBT OUT PoE RJ-45 Connector	Connect to the HDBT IN RJ-45 connector on a receiver (for example, <b>EXT3-POE-XR-R</b> ). Receives PoE (PD).
13	1G LAN RJ-45 Connector	Connect to a LAN to provide Network and Internet to the source device that is connected to the USB-C IN port and/or Ethernet extension to the receiver.
14	RS-232 3-pin Terminal Block Connector	Connect to a controller device (for example, <b>SL-240C</b> ) to control a remote device via serial connection (for example, the remotely connected PTZ USB camera).
15	IR OUT 2-pin Terminal Block Connector	Outputs a received IR signal (from a controller) to a connected IR emitter.
16	20V DC	+20V DC 6A connector for powering the unit and charging the connected input device to USB-C.

## Setting the DIP-Switches

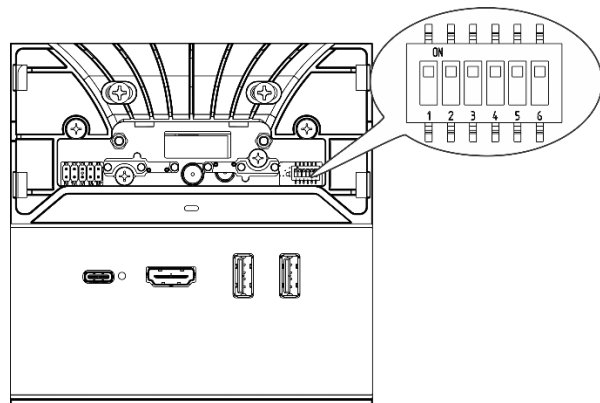
### DIP-Switch Settings

To access the **EXT3-C-WP-XR-T** DIP-switches remove the top front panel.

**i** By default, DIP-Switch 2 is set to **ON** (up) while all the other DIP-switches are set to **OFF** (down) by default.

Setting **EXT3-C-WP-XR-T** to USB host requires device reset (disconnecting and then reconnecting the power).

We recommend that you set the device to host (if required) before mounting.



DIP #	Feature	DIP-switch Settings
1	TBD	
2	Fan FW upgrade	OFF (down) – For factory use only ON (up) – Mandatory for normal operation (default).
3	Eth FW upgrade	OFF (down) – Mandatory for normal operation (default). ON (up) – For factory use only.
4	Active USB Host	OFF (down) – USB-C is activated as a HOST for the connected USB devices (default). ON (up) – USB-C is activated as a USB device.
5	IR Modulation	OFF (down) – IR pass-thru is enabled (default). On – IR pass-thru is disabled (add a 38KHz modulation to the IR output signal).
6	RS-232 Extension	Off (down) – Mandatory for serial extension (default). On (up) – For factory use only.

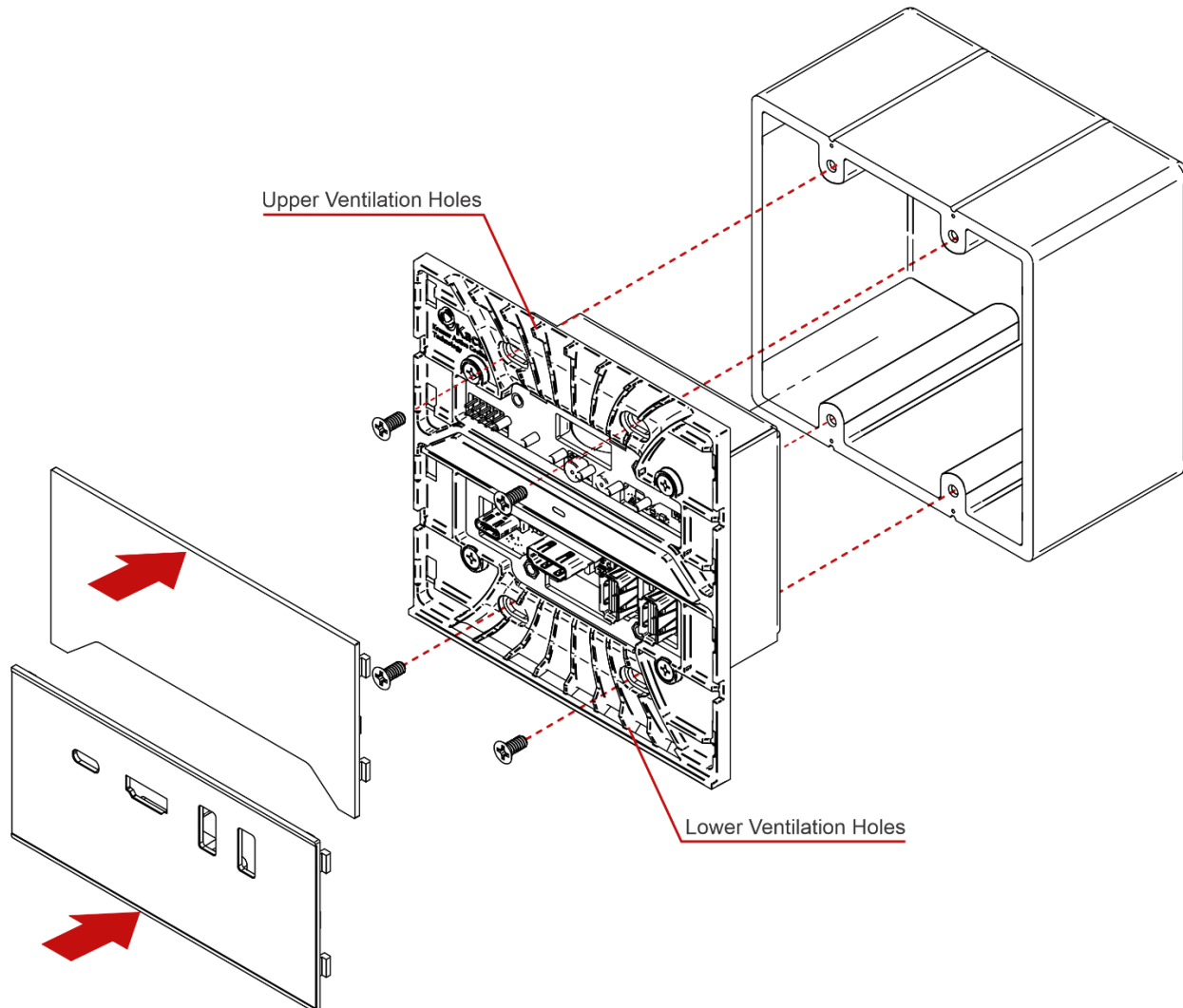
### Step 3: Install the EXT3-C-WP-XR-T

Insert the device into the in-wall box (note that first you need to connect the HDBT cable and power) and connect the parts as shown in the illustration below.



When installing the device, take care not to obstruct the upper and lower ventilation holes.

**US-D Version**



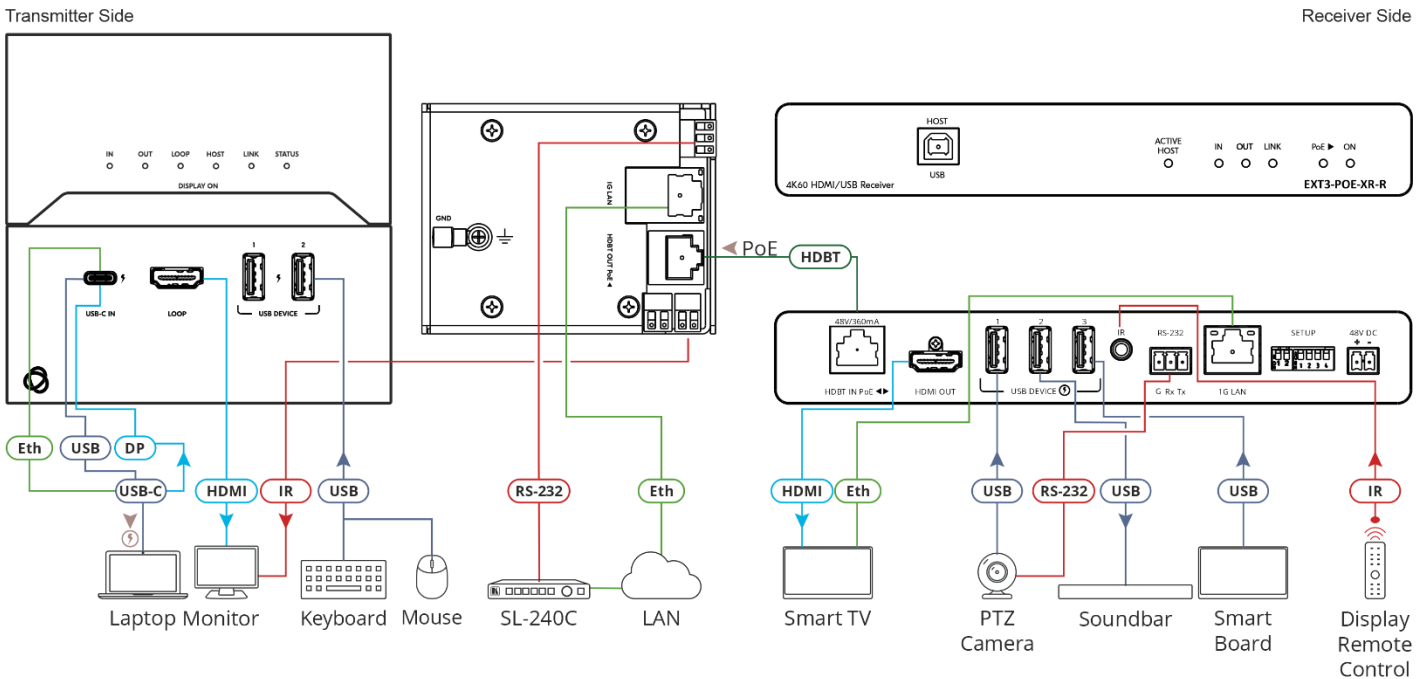
US model panel size is compatible with DECORA® design frame size.

DECORA® is a registered trademark of Leviton Manufacturing Co., Inc.

We recommend that you use any 2 gang US electrical junction box.

## Step 4: Connect inputs and outputs

Always switch OFF the power on each device before connecting it to your EXT3-C-WP-XR-T.



This section defines the HDBT pinout, using a straight pin-to-pin cable with RJ-45 connectors.

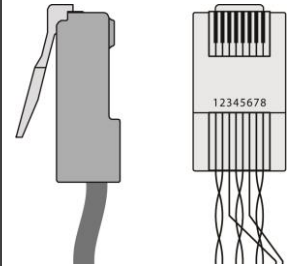


It is recommended that the cable ground shielding be connected/soldered to the connector shield.



To achieve specified extension distances, use the recommended Kramer cables available at [www.kramerav.com/product/EXT3-C-WP-XR-T](http://www.kramerav.com/product/EXT3-C-WP-XR-T). Using third-party cables may cause damage!

EIA /TIA 568B	
PIN	Wire Color
1	Orange / White
2	Orange
3	Green / White
4	Blue
5	Blue / White
6	Green
7	Brown / White
8	Brown



## Step 5: Connect power

If not powered by PoE, connect the power adaptor to the EXT3-C-WP-XR-T and the power cord and plug it into the mains electricity.



Safety Instructions (See [www.kramerav.com](http://www.kramerav.com) for updated safety information)

### Caution:

- There are no operator serviceable parts inside the unit.

### Warning:

- Use only the power cord that is supplied with the unit.
- Disconnect the power and unplug the unit from the wall before installing.

The terms HDMI, HDMI High-Definition Multimedia Interface, and the HDMI Logo are trademarks or registered trademarks of HDMI Licensing Administrator, Inc.