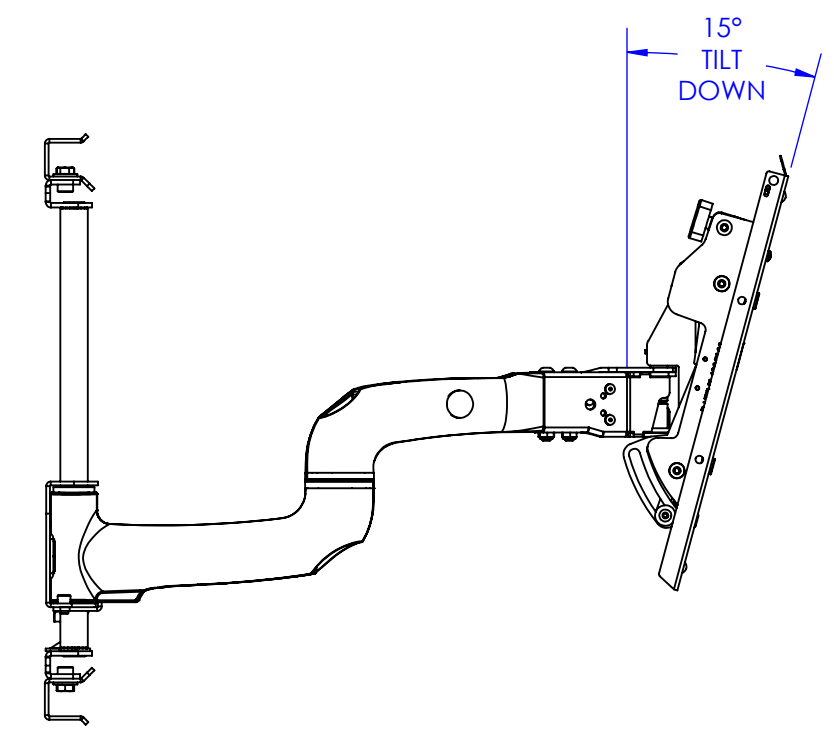
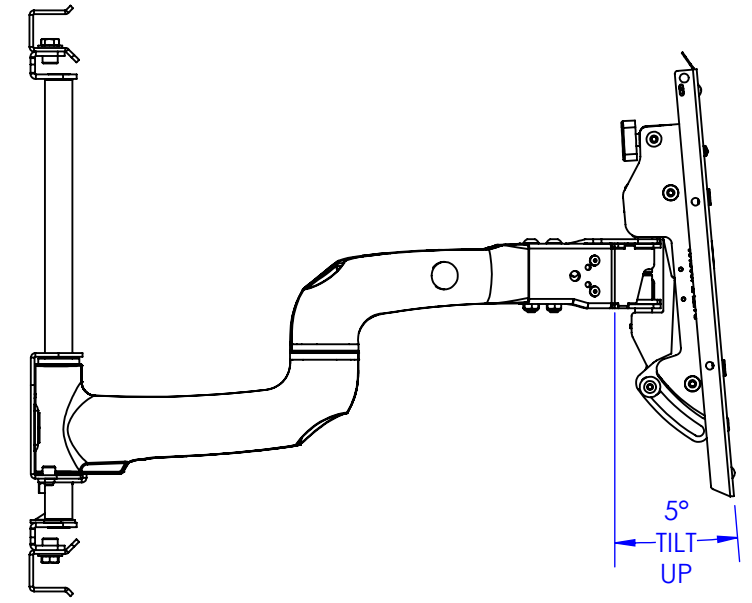
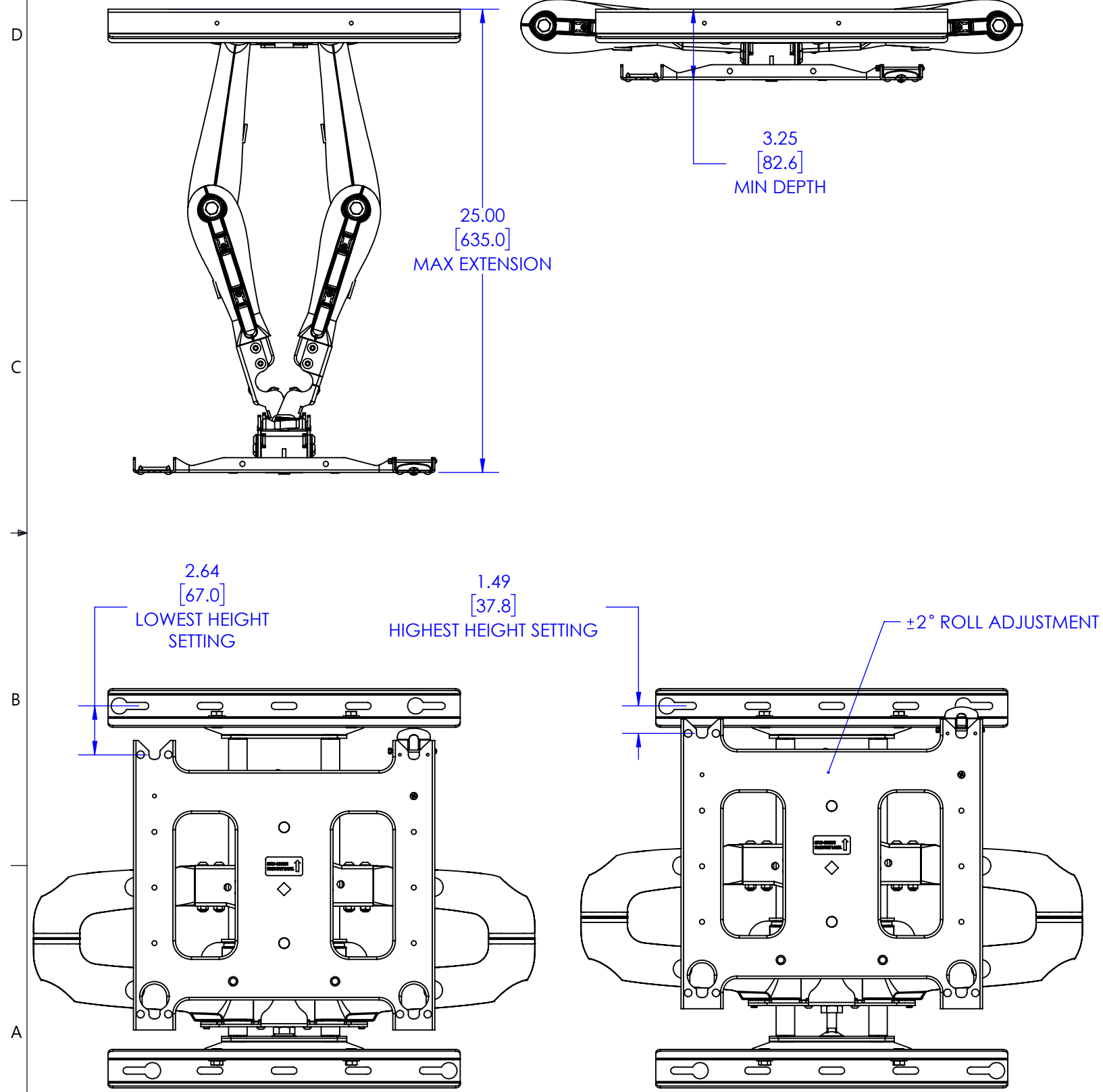


NOTE: UNIVERSAL OR CUSTOM INTERFACE BRACKET NOT SHOWN. THE INTERFACE BRACKET WILL ADD .50-2.00" IN DEPTH AND MAY AFFECT LOCATION OF DISPLAY ON THE MOUNT. THE INTERFACE BRACKET AND SCREEN SIZE MAY ALSO AFFECT THE RANGE OF ADJUSTMENT AND MOTION.

SEE INTERFACE PSBXXX TECH DRAWING ALSO.

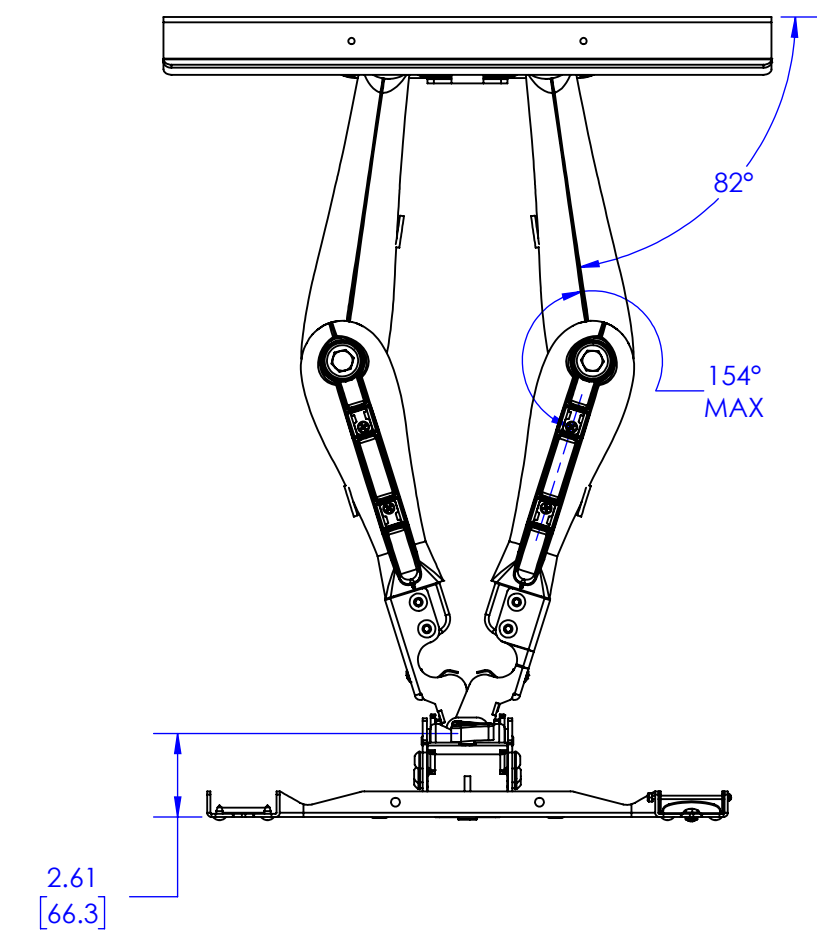
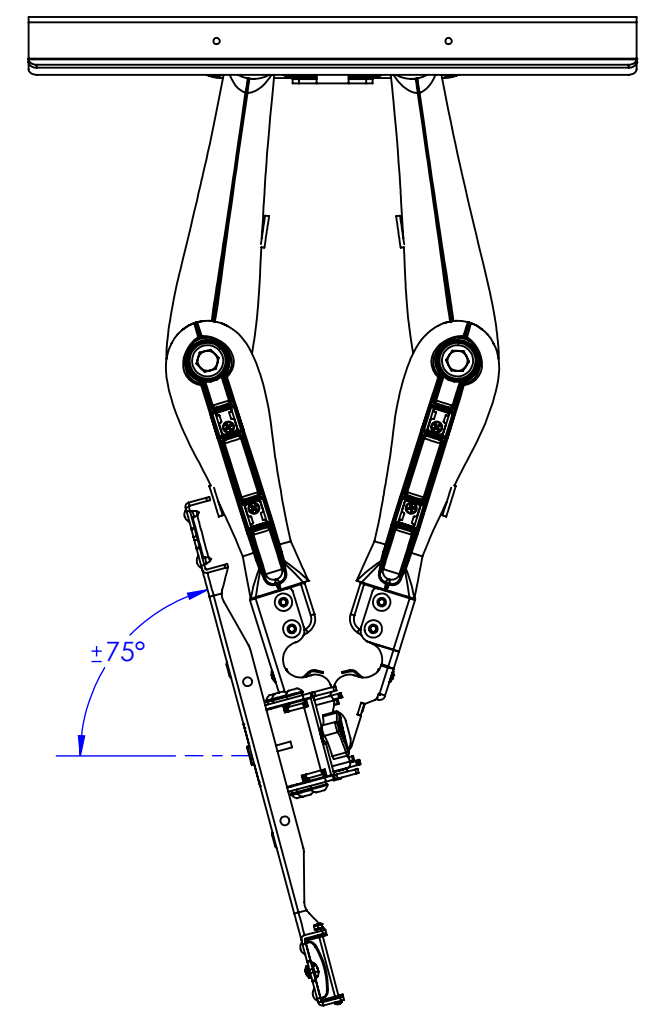
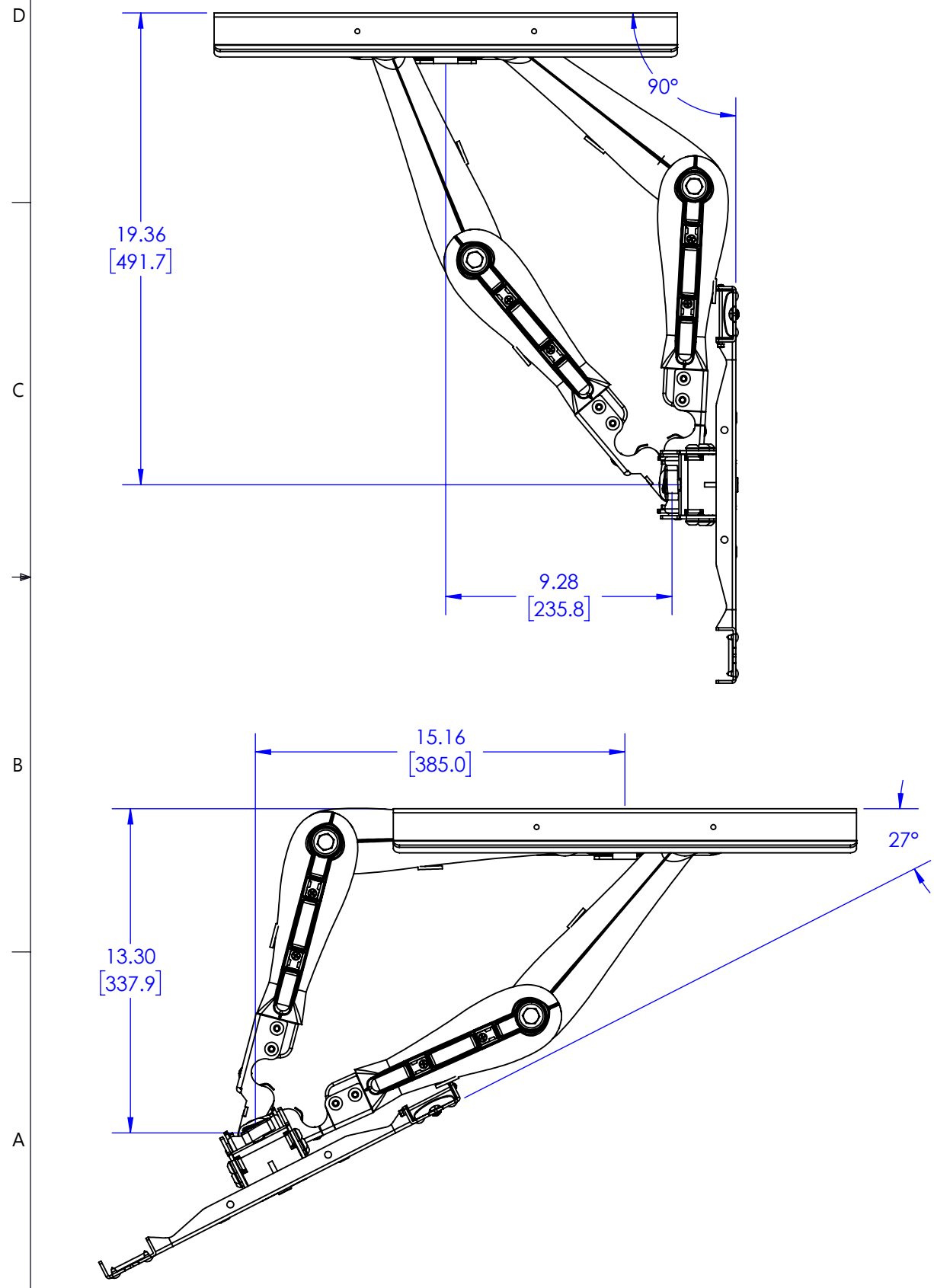
THE INFORMATION AND DESIGNS CONTAINED IN THIS DRAWING ARE CONFIDENTIAL AND THE PROPRIETARY PROPERTY OF LEGRAND | AV. NEITHER THIS DESIGN NOR ANY INFORMATION CONTAINED IN THIS DRAWING MAY BE REPRODUCED OR DISCLOSED TO OTHERS WITHOUT THE EXPRESS WRITTEN CONSENT OF LEGRAND | AV.

CAD GENERATED DRAWING, DO NOT MANUALLY UPDATE.						6436 CITY WEST PKWY EDEN PRAIRIE, MN, 55344 PHONE: 866-977-3901 FAX: 877-894-6918	
DRAWN BY	CH	1/4/2022	DESCRIPTION				
ENG APPROVAL			PNR TECH DRAWING				
MFG APPROVAL			MODEL NO.				
QA APPROVAL			PNRU/PNR2000				
SHEET 1 OF 3		SCALE	1:4	SIZE	B	DWG. NO.	TECH-001209
							REV.
							00



THE INFORMATION AND DESIGNS CONTAINED IN THIS DRAWING ARE CONFIDENTIAL AND THE PROPRIETARY PROPERTY OF LEGRAND | AV. NEITHER THIS DESIGN NOR ANY INFORMATION CONTAINED IN THIS DRAWING MAY BE REPRODUCED OR DISCLOSED TO OTHERS WITHOUT THE EXPRESS WRITTEN CONSENT OF LEGRAND | AV.

CAD GENERATED DRAWING, DO NOT MANUALLY UPDATE.					6436 CITY WEST PKWY EDEN PRAIRIE MN, 55344 PHONE: 866-977-3901 FAX: 877-894-6918	
DRAWN BY	CH	1/4/2022	DESCRIPTION			
ENG APPROVAL			PNR TECH DRAWING			
MFG APPROVAL			MODEL NO.			
QA APPROVAL			PNRU/PNR2000			
SHEET 2 OF 3		SCALE	SIZE	DWG. NO.	REV.	
		1:7	B	TECH-001209	00	



THE INFORMATION AND DESIGNS CONTAINED IN THIS DRAWING ARE CONFIDENTIAL AND THE PROPRIETARY PROPERTY OF LEGRAND | AV. NEITHER THIS DESIGN NOR ANY INFORMATION CONTAINED IN THIS DRAWING MAY BE REPRODUCED OR DISCLOSED TO OTHERS WITHOUT THE EXPRESS WRITTEN CONSENT OF LEGRAND | AV.

CAD GENERATED DRAWING, DO NOT MANUALLY UPDATE.					6436 CITY WEST PKWY EDEN PRAIRIE, MN, 55344 PHONE: 866-977-3901 FAX: 877-894-6918	
DRAWN BY	CH	1/4/2022	DESCRIPTION			
ENG APPROVAL			PNR TECH DRAWING			
MFG APPROVAL			MODEL NO.			
QA APPROVAL			PNRU/PNR2000			
SHEET 3 OF 3		SCALE	SIZE	DWG. NO.	REV.	
		1:6	B	TECH-001209	00	