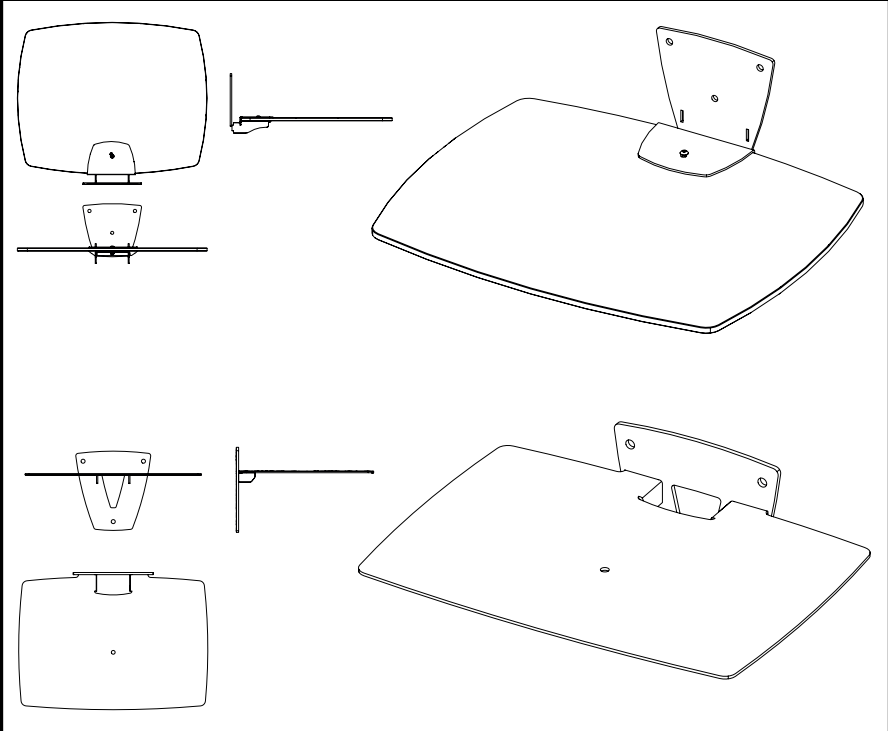




WBVC / WBVG / WBVG1



Screen Size: n/a | **Guide Max. Weight:** 20kg

Please check model specific details before installing

Revised 13/08/24

WARNING

Please carefully inspect the product before assembling. If you notice any apparent damage, call your carrier claims agent and do not continue the installation until it has been reviewed. Please watch for pinch points. Do not put your fingers between moveable parts. Do not tamper with or disassemble any spring loaded parts. Before installing, make sure that the supporting surface will support five times the combined load of the solution and the hardware. Never exceed the maximum load capacity. Please also layout all components to ensure that you have all of the required parts before proceeding (see BOM list on following page). Use of this product for anything other than its specified use may result in failure or personal injury. This product is intended for indoor use only. We recommend using a qualified trades person for installation. Use an assistant or lifting equipment to lift and position products.

For support, please call: +44 (0)1865 767676 or email: sales@unicol.com



#	TOOLS REQUIRED
1	4mm & 5mm Allen Keys
2	Pozi Head Screwdriver
3	19mm Spanner
4	17mm Spanner

INSTALLERS REQUIRED
1

COMPONENTS

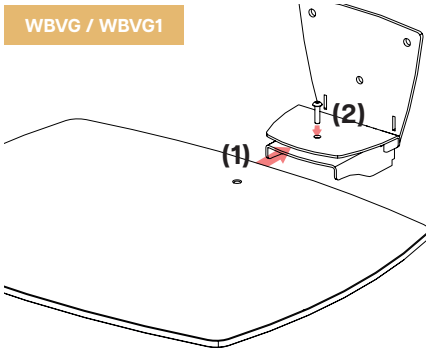
The diagram illustrates four components of the shelf assembly:

- 1:** A large, rounded rectangular glass shelf with a central hole.
- 2:** A trapezoidal wall plate with two mounting holes at the top and a central hole.
- 3:** A large, rounded rectangular glass shelf, similar to component 1 but with a different hole placement.
- 4:** A large, rounded rectangular metal shelf with a central hole and a mounting bracket on top.

#	DESCRIPTION	QTY
1	WBVG Glass Shelf	1
2	WBVG/WBVG1 Wall Plate	1
3	Alternative: WBVG1 Glass Shelf	1
4	Alternative: WBVC Metal Shelf	1

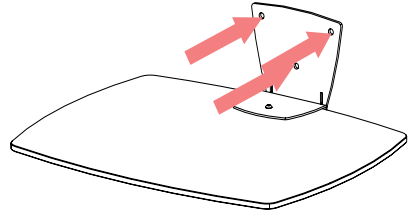


WBGV / WBGV1



STEP 1

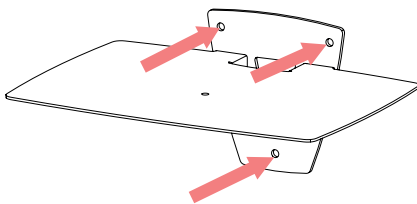
Take your glass shelf and slot it into the wall plate, ensuring that the holes align. Secure together with screws provided and tighten with a hex nut.



STEP 2

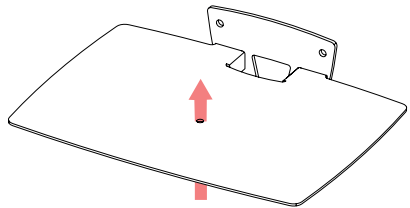
Using the 3 wall mounting holes, determine where you want to install your shelf, mark it and fix into position.

WBVC



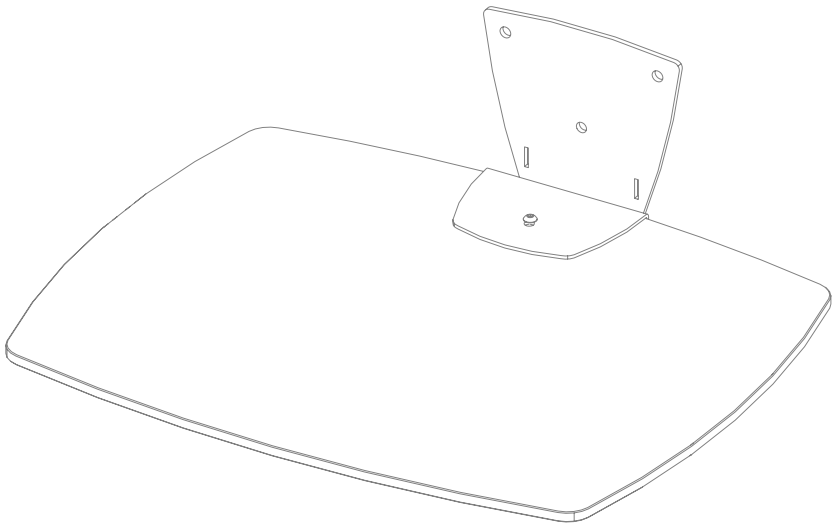
STEP 1

Using the 3 wall mounting holes, determine where you want to install your shelf, mark it and fix into position.



STEP 2

Place your video conference camera and screw into position via the central mounting hole.



Any Questions?

+44 (0)1865 767676

sales@unicol.com

unicol.com/instructions