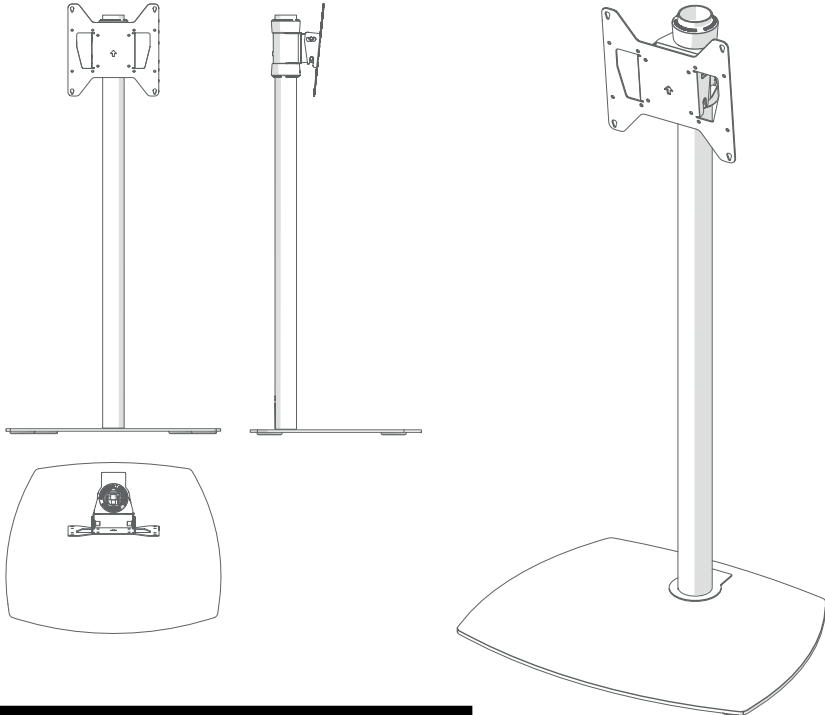




## TVV1 / TVL1 / TTV1 / TVB1



**Screen Size:** 15-40" | **Guide Max. Weight:** 15kg

\*Please check model specific details before installing\*

Revised 26/04/24

### WARNING

Please carefully inspect the product before assembling. If you notice any apparent damage, call your carrier claims agent and do not continue the installation until it has been reviewed. Please watch for pinch points. Do not put your fingers between moveable parts. Do not tamper with or disassemble any spring loaded parts. Before installing, make sure that the supporting surface will support five times the combined load of the solution and the hardware. Never exceed the maximum load capacity. Please also layout all components to ensure that you have all of the required parts before proceeding (see BOM list on following page). Use of this product for anything other than its specified use may result in failure or personal injury. This product is intended for indoor use only. We recommend using a qualified trades person for installation. Use an assistant or lifting equipment to lift and position products.

For support, please call: +44 (0)1865 767676 or email: sales@unicol.com

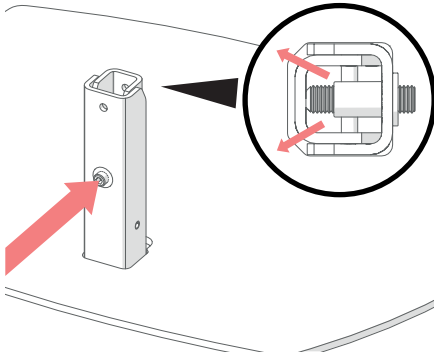


| # | TOOLS REQUIRED   |
|---|------------------|
| 1 | 3/16th Allen Key |
| 2 | 5mm Allen Key    |

| INSTALLERS REQUIRED |
|---------------------|
| 1-2                 |

**COMPONENTS**

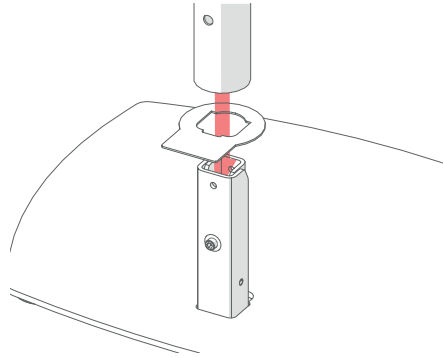
| # | DESCRIPTION              | QTY |
|---|--------------------------|-----|
| 1 | 1000mm Column            | 1   |
| 2 | Single Column VESA Mount | 1   |
| 3 | Tevella Base             | 1   |
| 4 | Column Support Ring      | 1   |
| 5 | Alternative Bases        | -   |



### STEP 1

Check the jaws of the column grip, if you can push them together to fit a column over, ignore this step. If you can't, you will need to loosen the screw on the column grip to close them.

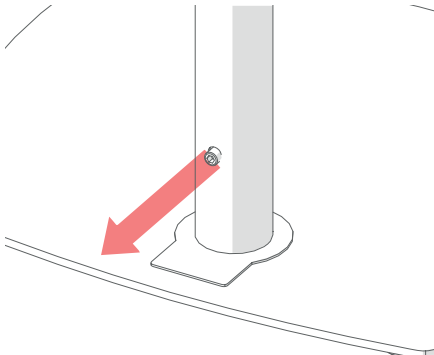
Thread cabling through bottom of base into column grips as highlighted above.



### STEP 2

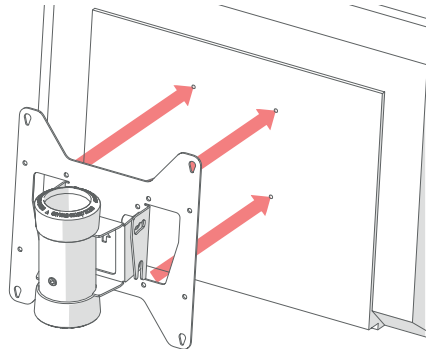
Place the column support ring over the crocodile lug with the straight edge facing the rear of the base (as shown above).

Thread the cabling through the column and place the column with holes, located approx 75mm from the bottom, over the crocodile lugs on the base.



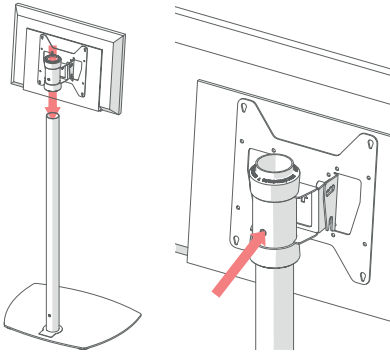
### STEP 3

Once placed, tighten the grub screw to secure into place.



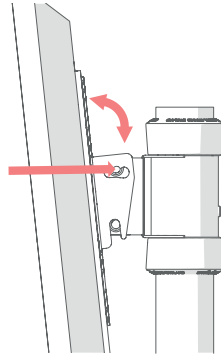
### STEP 4

Locate the mounting holes on the back of your screen. Line the VESA mount up and using the manufacturer recommended screws, attach the mount to the back of the screen.



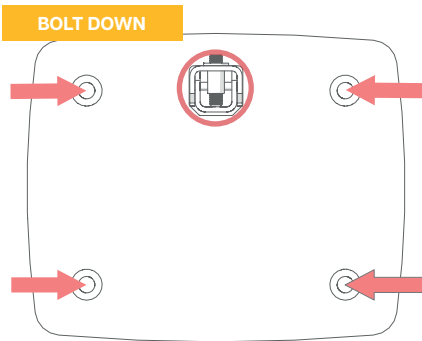
### STEP 5

Slide the mount and adapter over the column and position at the desired height. When happy, tighten the grub screw to secure the mount and screen into position.



### STEP 6

Loosen the screws at the side of the mount to set the angle of the screen. Once in position, retighten the screws.

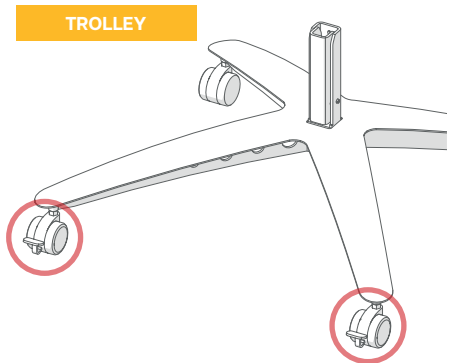


### BOLT DOWN

### STEP 1

Position floor plate and mark through the screw holes (arrows above) where it will be positioned.

Before you screw through, ensure any cables that are going underneath the plate are threaded through the column grips (circled above). Continue with Step 2.



### TROLLEY

### STEP 1

Before you begin, make sure the base is stable and ensure the brakes are on on the front two castors. Loosen the screws on the column grips to close them.

Thread cabling through bottom of base into column grips as highlighted above. Continue with Step 2.