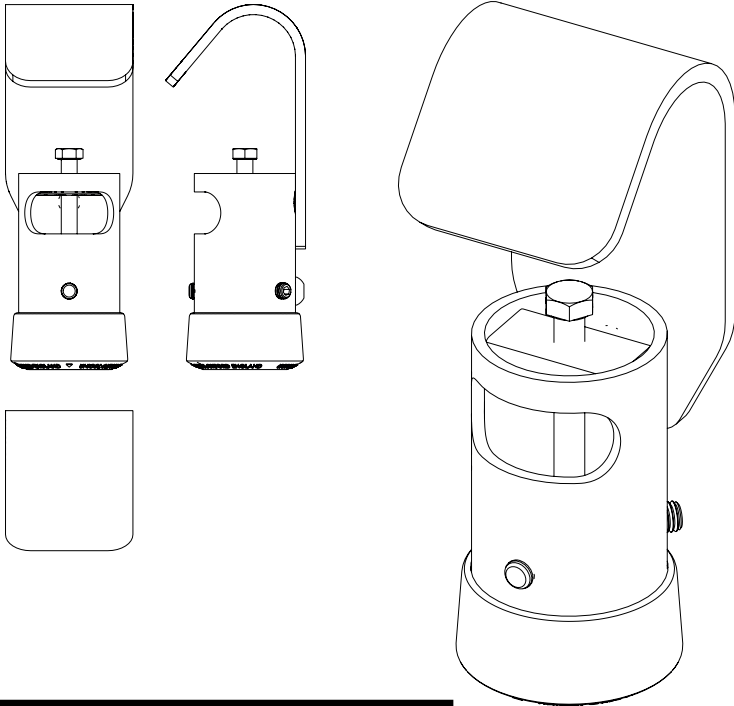




## TM05



**Screen Size:** n/a | **Guide Max. Weight:** 45kg

\*Please check model specific details before installing\*

Revised 30/05/24

### WARNING

Please carefully inspect the product before assembling. If you notice any apparent damage, call your carrier claims agent and do not continue the installation until it has been reviewed. Please watch for pinch points. Do not put your fingers between moveable parts. Do not tamper with or disassemble any spring loaded parts. Before installing, make sure that the supporting surface will support five times the combined load of the solution and the hardware. Never exceed the maximum load capacity. Please also layout all components to ensure that you have all of the required parts before proceeding (see BOM list on following page). Use of this product for anything other than its specified use may result in failure or personal injury. This product is intended for indoor use only. We recommend using a qualified trades person for installation. Use an assistant or lifting equipment to lift and position products.

For support, please call: +44 (0)1865 767676 or email: sales@unicol.com

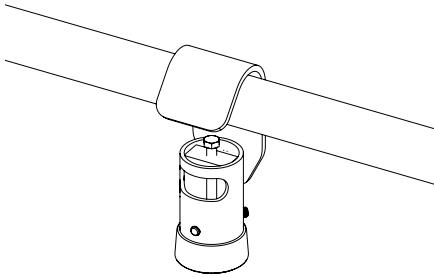


#	TOOLS REQUIRED
1	3/16th Allen Key
4	17mm Spanner

INSTALLERS REQUIRED
1

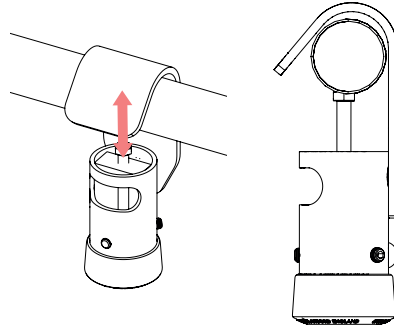
**COMPONENTS**

#	DESCRIPTION	QTY
1a	TM05 Tube Clamp	1
1b	Safety Through-Bolt	1
1c	Grub Screws	2
1d	Securing Bolt	1



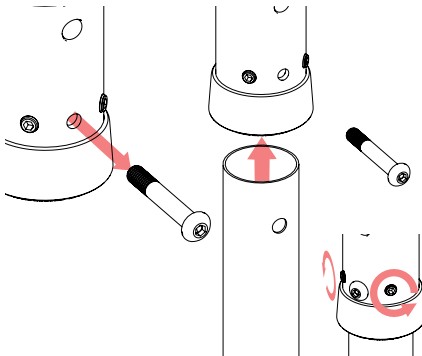
### STEP 1

The TM05 comes fully assembled, so simply place it over the tube it is going to be mounted to.



### STEP 2

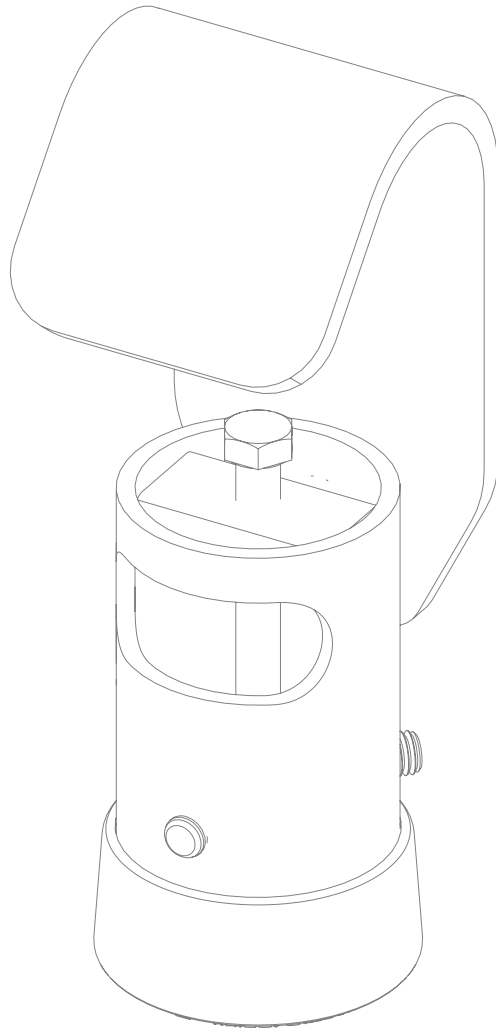
Once in position, tighten the securing bolt so that it is tight against the pole and the tube clamp does not move when knocked or wiggled.



### STEP 3

Remove the through-bolt from the socket and push your column length (*sold separately*) into place. Ensure that the through-bolt hole in the column is aligned with the hole in the socket.

Replace the through-bolt and tighten the grub screws at the side of the socket.



## **Any Questions?**