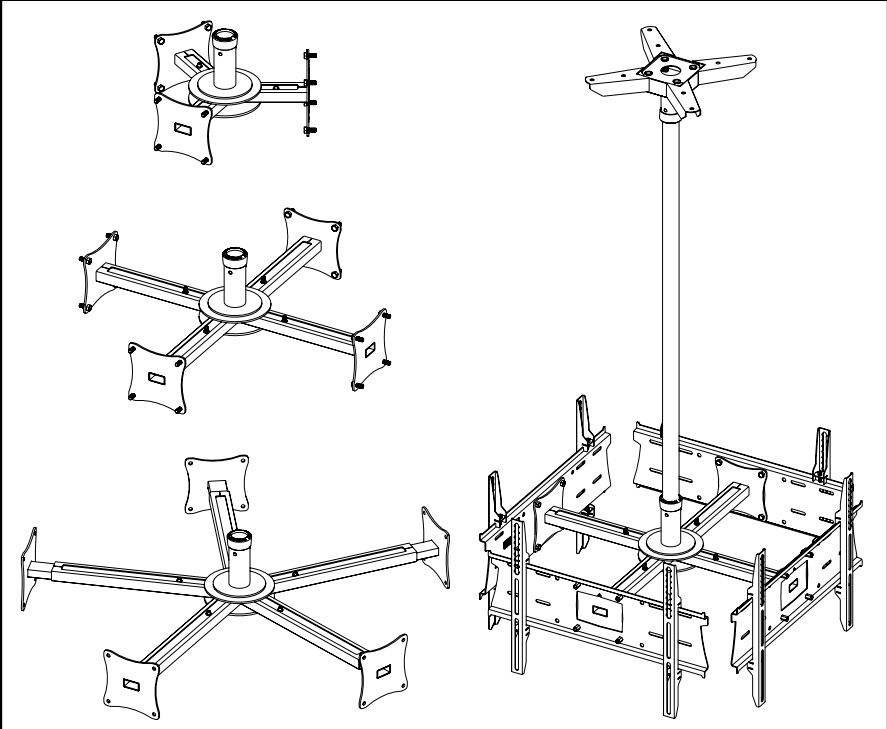




SG3 / SG4 / SG5



Screen Size: 33 - 57" | **Guide Max. Weight:** 40-50kg per screen

Please check model specific details before installing

Revised 16/07/24

WARNING

Please carefully inspect the product before assembling. If you notice any apparent damage, call your carrier claims agent and do not continue the installation until it has been reviewed. Please watch for pinch points. Do not put your fingers between moveable parts. Do not tamper with or disassemble any spring loaded parts. Before installing, make sure that the supporting surface will support five times the combined load of the solution and the hardware. Never exceed the maximum load capacity. Please also layout all components to ensure that you have all of the required parts before proceeding (see BOM list on following page). Use of this product for anything other than its specified use may result in failure or personal injury. This product is intended for indoor use only. We recommend using a qualified trades person for installation. Use an assistant or lifting equipment to lift and position products.

For support, please call: +44 (0)1865 767676 or email: sales@unicol.com

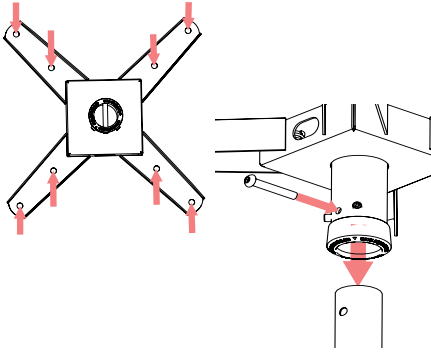


| # | TOOLS REQUIRED |
|---|-----------------------|
| 1 | 4mm & 5mm Allen Keys |
| 2 | Pozi Head Screwdriver |
| 3 | 17mm Spanner |

| INSTALLERS REQUIRED |
|---------------------|
| 2 |

COMPONENTS

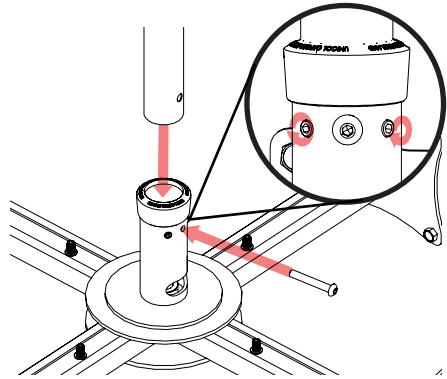
| # | DESCRIPTION | QTY |
|---|------------------------------|-----------|
| 1 | SG3 - Three Arm Gantry | 1 |
| 2 | SG4 - Four Arm Gantry | 1 |
| 3 | SG5 - Five Arm Gantry | 1 |
| 4 | Heavy Duty Column Length | 1 |
| 5 | CP5 Gantry Ceiling Plate | 1 |
| 6 | Universal Screen Mount (PZW) | 3, 4 or 5 |



STEP 1

Fix the CP5 ceiling plate into position via the 8 pre-defined fixing holes.

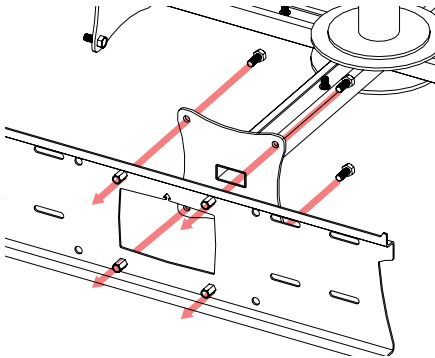
Place the column length into the ceiling plate socket, as shown above, and fix the through bolt into the ceiling plate and through the column. This will secure the column.



STEP 2

Offer up the Spider Gantry of your choice to the other end of the column and thread into socket. Once in position, as before, fix the through bolt into the gantry and through the column.

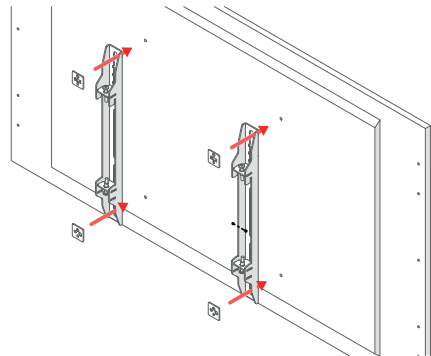
Tighten the grub screws located on either side of the through bolt here and on the CP5 ceiling plate.



STEP 3

Take one of the universal screen mount backplates and affix it to the plate at the end of one of the gantry arms, as shown.

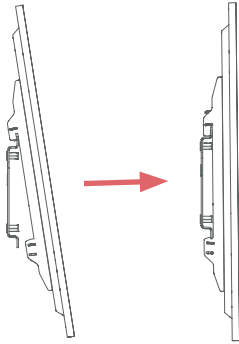
Repeat this step so that each gantry arm sits with a universal backplate fixed into position.



STEP 4

Utilising the tag locks and fixing pack provided with your mount, attach the arms to the back of your screen.

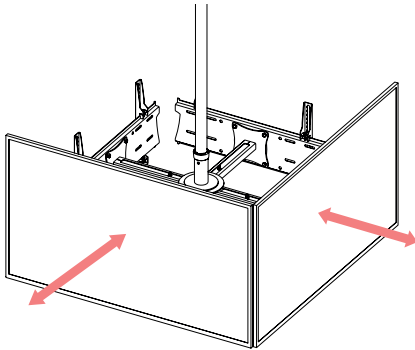
Ensure the arms are the correct way up before tightening - the 'hook' part of the arm should be at the top.



STEP 5

Using another team member, lift the screen up and gradually offer it up to the back plate. Gently tilting the screen forward, hook the arms over the lip of the back plate and lower once in position.

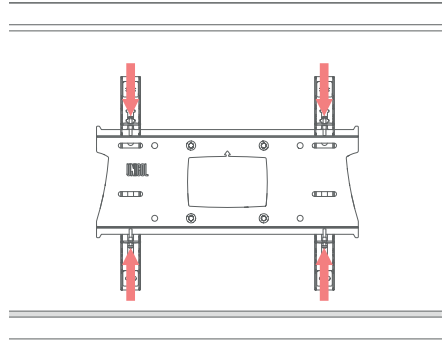
Centre the screen horizontally by sliding from side to side until you are happy with the position.



STEP 7

Once one screen is in position, gently pull it out, extending the arm on the gantry mount.

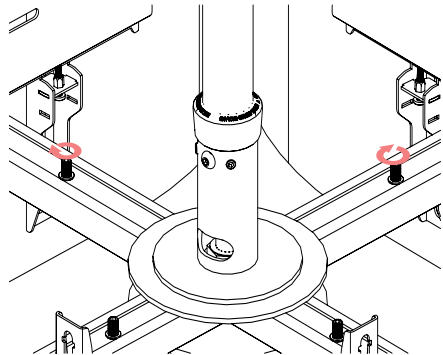
Place a second screen and start to align both screen to the desired position - ie corners touching, 10mm gap etc. Until tightened, arms can be adjusted as required. Repeat for additional screens.



STEP 6

Once centered, ensure the bottom screws are not screwed tight and screw down the top screws to level the screen. Once level tighten bottom screws to secure the mount. ALT: If using tilting arms, this is when you can adjust them to suit.

Note that you won't be able to adjust the screens position after the screws have been tightened.



STEP 8

Once all screens are in position, tighten the screws located on each gantry arm. This will prevent movement and ensure screens stay in the desired position.