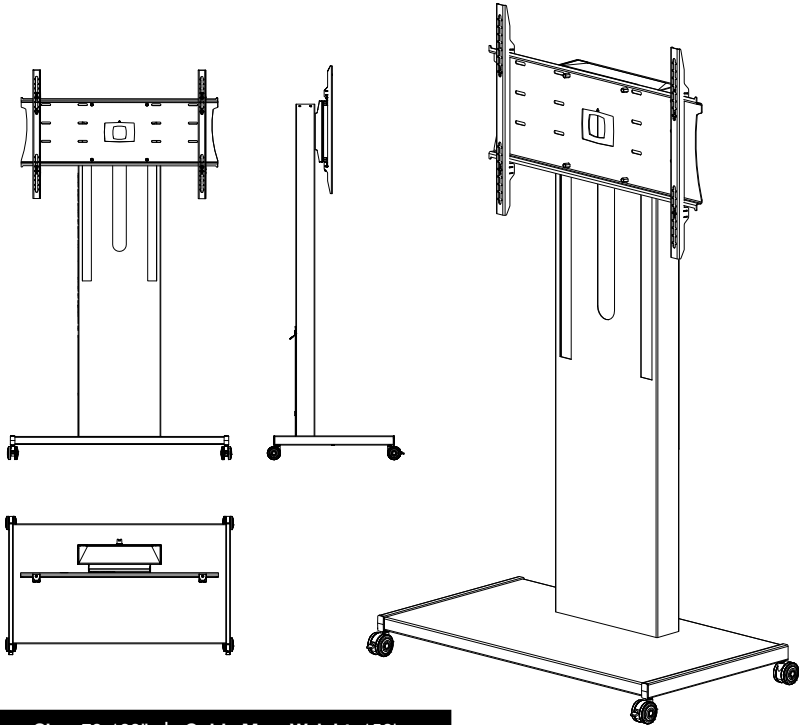




## RHPL100-HD



Screen Size: 70-100" | Guide Max. Weight: 150kg

*\*Please check model specific details before installing\**

Revised 26/10/22

### WARNING

Please carefully inspect the product before assembling. If you notice any apparent damage, call your carrier claims agent and do not continue the installation until it has been reviewed. Please watch for pinch points. Do not put your fingers between moveable parts. Do not tamper with or disassemble any spring loaded parts. Before installing, make sure that the supporting surface will support five times the combined load of the solution and the hardware. Never exceed the maximum load capacity. Please also layout all components to ensure that you have all of the required parts before proceeding (see BOM list on following page). Use of this product for anything other than its specified use may result in failure or personal injury. This product is intended for indoor use only. We recommend using a qualified trades person for installation. Use an assistant or lifting equipment to lift and position products.

*For support, please call: +44 (0)1865 767676 or email: sales@unicol.com*



#	TOOLS REQUIRED
1	3/16 <sup>th</sup> Allen Key
2	Pozidrive Screwdriver
3	17mm Spanner
4	Rubber Mallet

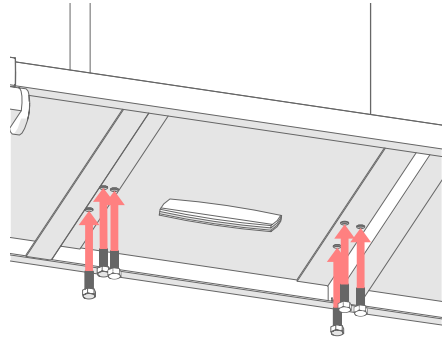
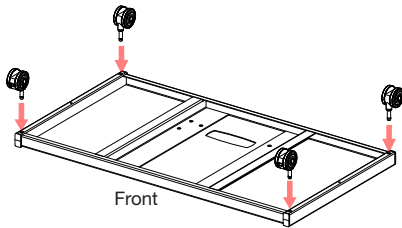
INSTALLERS REQUIRED
<b>1-2</b>

**COMPONENTS**

The diagram shows the following components:

- 1: Heavy Duty Base (a rectangular plate with mounting holes)
- 2: Powalift Mast (a long vertical pole with a central oval cutout)
- 3: Mount Adapter (a square plate with four mounting tabs)
- 4: PZX Screen Mount - Back Plate (a wide horizontal plate with a central cutout and mounting holes)
- 5: PZX Screen Mount - Mounting Arms (two long horizontal arms with rollers)
- 6: CO74 - 7.5cm Castors (four casters)
- 7: Non-Marking Feet (four small feet)
- 8: Remote Control (a small handheld device)
- 9: Glass Shelf (a large rectangular glass panel)
- 10: Optional Accessory - Soundbar & VC Mount (a long horizontal bar with mounting holes)

#	DESCRIPTION	QTY
1	Heavy Duty Base	1
2	Powalift Mast	1
3	Mount Adapter	1
4	PZX Screen Mount - Back Plate	1
5	PZX Screen Mount - Mounting Arms	2
6	CO74 - 7.5cm Castors	4
7	Non-Marking Feet	4
8	Remote Control	1
9	Glass Shelf	1
10	Optional Accessory - Soundbar & VC Mount	1



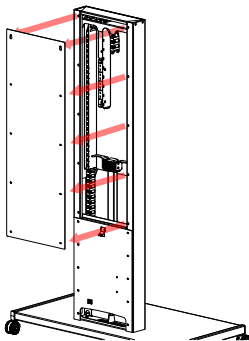
### STEP 1

For a trolley version, tap castors with the rubber mallet until they lock into place ensuring braked castors are at the front. (as shown above).

For a stand version, insert the plastic feet.

### STEP 2

Connect base to mast as shown using the 6 x M12 x 35 hex head screws

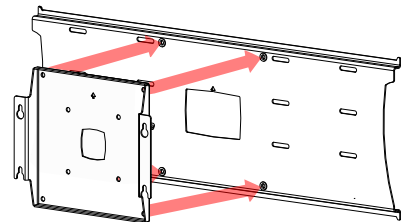


### STEP 3

In preparation for cabling up later remove the mast top rear cover by removing the 10 x M6 x 16 Button Head Allen screws.

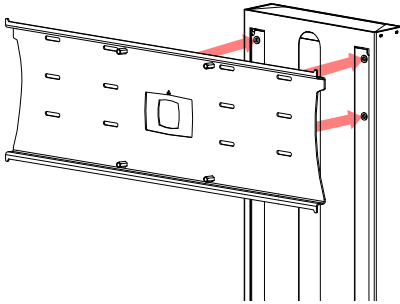
If there is an external signal or network cable to connect, remove the bottom cover. (10 screws).

Put aside and retain.



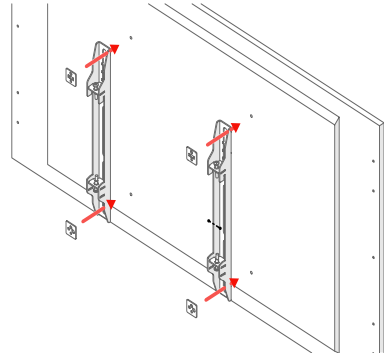
### STEP 4 (view from rear)

Locate the mount adapter and fix it to the rear of PZX screen back plate using the 4 x M10 x 25 Hex Head Screws



**STEP 5** (view from front)

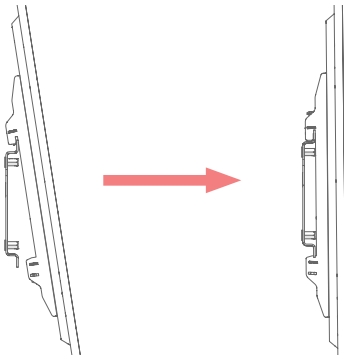
Fit the mount adapter and fitted screen backplate to the mast by placing fixing screws from the rear of the mast through the fixing holes into the adapter plate and tighten.



**STEP 6**

Using the griplock (top) and taglock (bottom) spacers fix the mount arms to the screen fixing holes. Choose the correct manufacture recommended fixing screws for your screen from the universal fixing pack supplied.

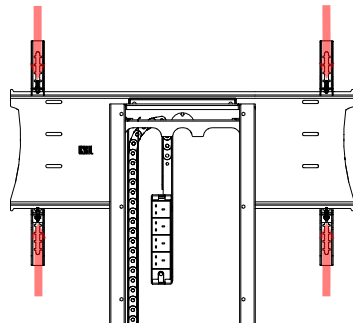
If you are fitting the VCCS accessory do it now.



**STEP 7**

Using another team member, lift the screen up and gradually offer it up to the back plate. Gently tilting the screen forward, hook the arms over the lip of the back plate rail and lower once in position.

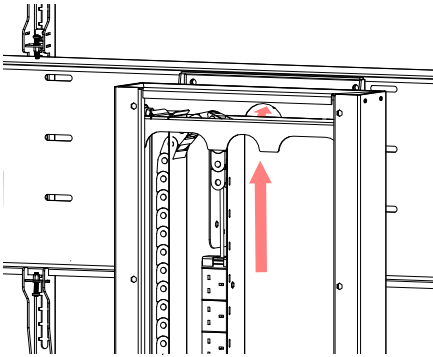
Centre the screen horizontally by sliding from side to side until you are happy with the position.



**STEP 9**

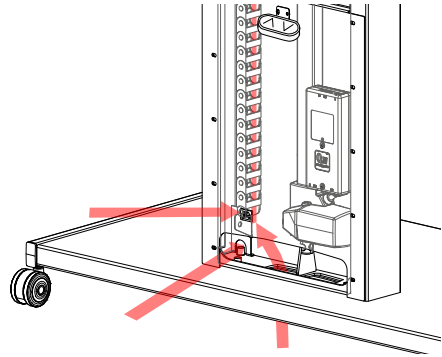
Once centered, ensure the bottom screws are not tightly fixed and screw down the top screws to level the screen. Once level tighten bottom screws to secure the mount.

**NOTE:** The screen position cannot be adjusted after the bottom screws have been tightened.



### STEP 10

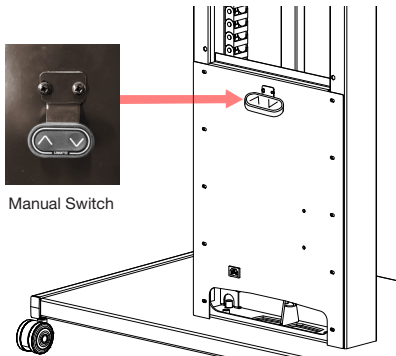
With the screen fitted, cable it up by routing from the 4-way power socket up through the aperture in the mast mount adapter and screen backplate to the rear of the screen.



### STEP 11

External cables route through either base apertures up the power train to exit at the top of the unit. There should be enough room without removing bottom cover. After cabling refit the rear mast cover by reversing actions in Step 3. To power the unit, plug the 'kettle' connector into the rear of the unit. Switch on and set up display and any AV accessories.

## LIFT OPERATION

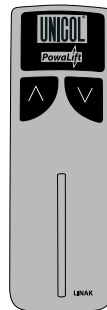


Manual Switch

### STEP 1

Operate the lift motor using manual switch, hand held remote or LINAK Desk Control App. On the manual switch and hand held remote press the UP arrow or DOWN arrow to operate the screen movement.

Download LINAK Desk Control App from this link: <https://www.linak.co.uk/products/controls/desk-control-app/#/description> or use QR code above.



Hand Held Remote



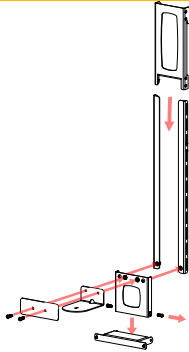
LINAK Desk Control App

### STEP 2

As soon as power is connected you have 3 minutes to pair the App by pointing your phone at the unit. When bluetooth has connected your phone press 'Connect'. Continue to follow the instructions on the App to operate the unit.

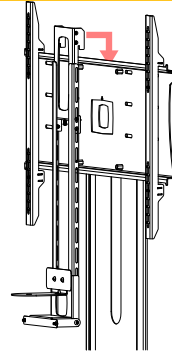


## ACCESSORIES – SOUNDBAR & VC MOUNT



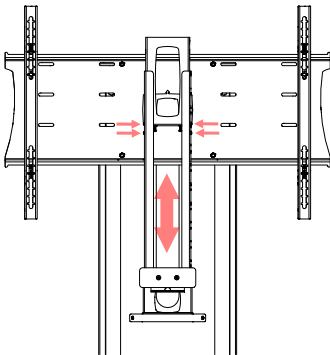
### STEP 1 (OPTIONAL)

If fitting the VCCS Soundbar & VC Mount locate the component shown exploded above. If the screen is already fitted it is easier to remove this in order to fit the VCCS unit. Reverse steps 8 & 9 above.



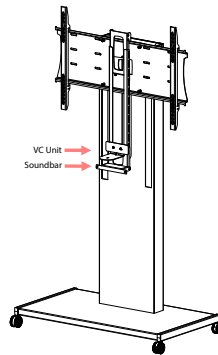
### STEP 2 (OPTIONAL)

With the VCCS assembled hook the top bracket over the rail of the PZX screen mount back plate. The normal position is central on the rail but you can slide it from side to side.



### STEP 3 (OPTIONAL)

In order to allow the VC unit to position under the screen there is up & down adjustment. To adjust the unit remove or loosen the screws shown arrowed and move the arms to the desired position.

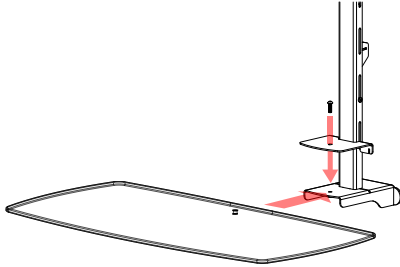


### STEP 4 (OPTIONAL)

The Soundbar fits to the bottom bracket on the arms. The VC unit fits to the small platform above the sound bar bracket. Cable up routing up the arms through the aperture in the PZX screen mount back plate.

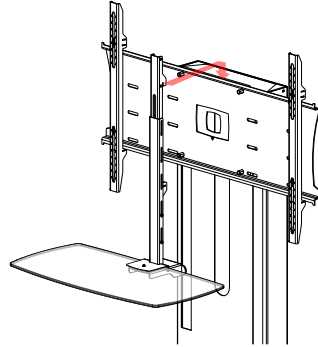


## ACCESSORIES – GLASS SHELF



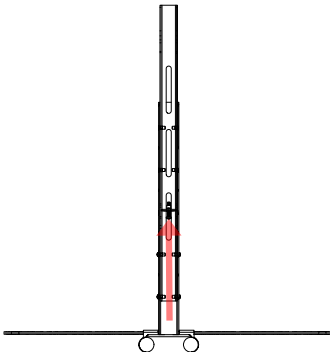
### STEP 1 (OPTIONAL)

Assemble standard or large shelves the same way. Remove allen screw shown above so that the top arm clamp can be lifted clear. Position shelf so that the fixing hole aligns with hole on bottom arm clamp. Refit top arm clamp into slots and fix with allen screw.



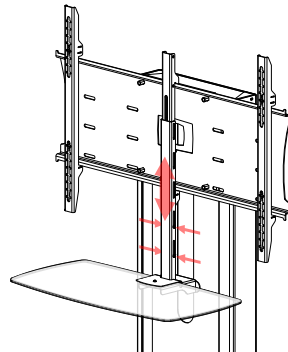
### STEP 2 (OPTIONAL)

With the shelf assembled hook the top bracket over the rail of the PZX screen mount back plate. The normal position is central on the rail but you can slide it from side to side.



### STEP 3 (OPTIONAL)

Secure the shelf arm by tightening the bottom securing pozi drive screw against the bottom rail on PZX backplate. (Diagram viewed from behind).



### STEP 4 (OPTIONAL)

Adjust the height of shelf by loosening the pozidrive screws on the sides of the arm and sliding up or down. Retighten at desired height.



## RHOBUS® PoweLift



Operated by wireless remote or manual switch, screens can be commanded to rise or descend smoothly through 700mm, stopping safely at any point.

These units serve many requirements, particularly in the field of education, enabling young children or wheel chair users to interact with touch screens. 'Touch of a button' height control also makes it easy to move from one location to another through doorways.

- \* For screens 71 to 100 inch
- \* Safe, smooth operation
- \* Quality, long life components
- \* Bolt down & Floor to Wall versions available
- \* Controlled by remote fob or manual switch – all supplied with unit