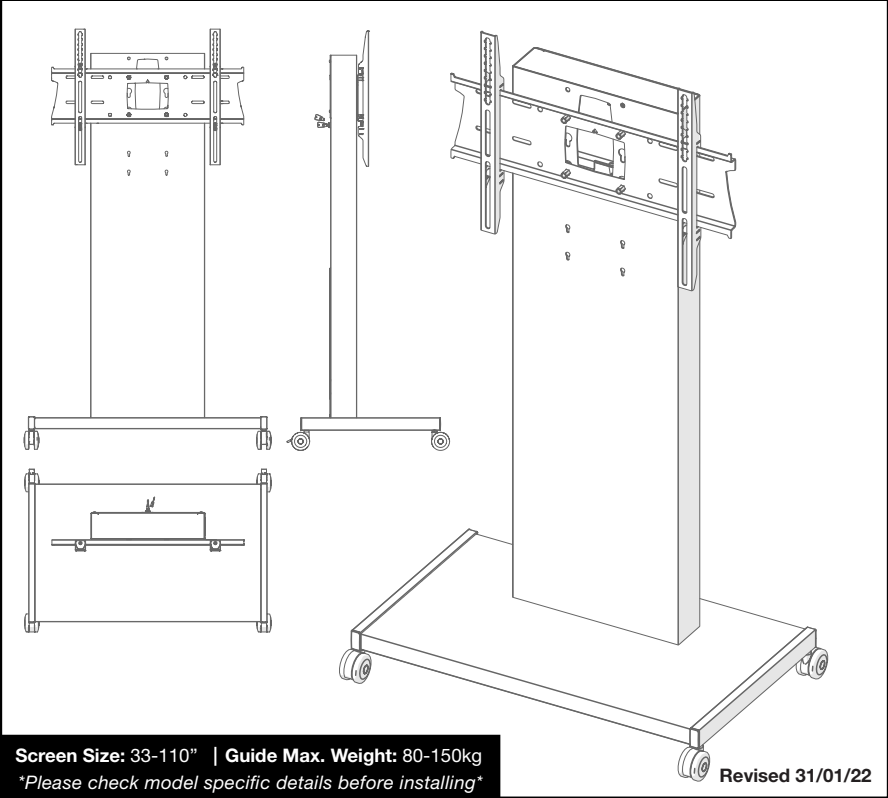




RH100 / RHBDU / RFWSH / RH200



Screen Size: 33-110" | Guide Max. Weight: 80-150kg

Please check model specific details before installing

Revised 31/01/22

WARNING

Please carefully inspect the product before assembling. If you notice any apparent damage, call your carrier claims agent and do not continue the installation until it has been reviewed. Please watch for pinch points. Do not put your fingers between moveable parts. Do not tamper with or disassemble any spring loaded parts. Before installing, make sure that the supporting surface will support five times the combined load of the solution and the hardware. Never exceed the maximum load capacity. Please also layout all components to ensure that you have all of the required parts before proceeding (see BOM list on following page). Use of this product for anything other than its specified use may result in failure or personal injury. This product is intended for indoor use only. We recommend using a qualified trades person for installation. Use an assistant or lifting equipment to lift and position products.

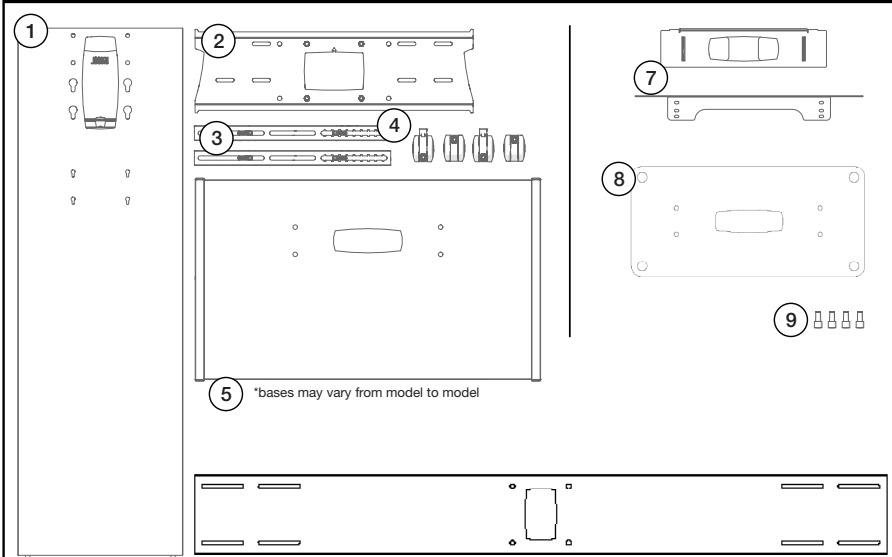
For support, please call: +44 (0)1865 767676 or email: sales@unicol.com



#	TOOLS REQUIRED
1	<i>Pozi Head Screwdriver</i>
2	<i>4mm & 5mm Allen Keys</i>
3	<i>19mm Spanner</i>
4	<i>17mm Spanner</i>
5	<i>Rubber Mallet</i>

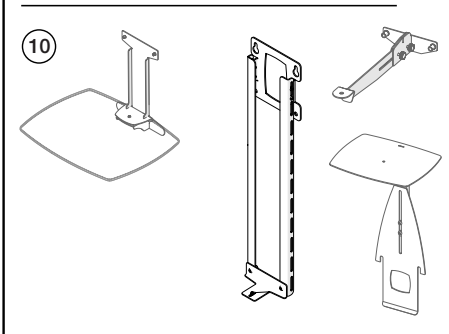
INSTALLERS REQUIRED
1-2

COMPONENTS

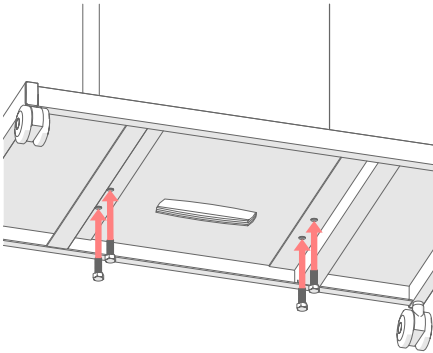


*masts may vary from model to model

*bases may vary from model to model



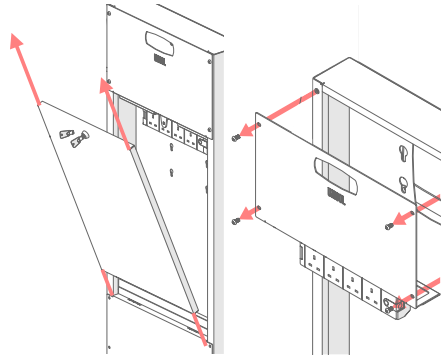
#	DESCRIPTION	QTY
1	Rhobus Mast (inc. cabinet door)	1
2	Universal Mount Back Plate	1
3	Universal Mount Arms	2
4	7.5cm Castors (2 standard, 2 braked)	4
5	Standard Rhobus Base	1
6	Security Key	2
7	Floor-to-Wall Base and Wall Tie	-
8	Bolt Down Alternative Base	-
9	Stand Feet	-
10	Optional Accessories	-



STEP 1

Connect base to mast as shown (4 fixings for RH100 and 6 for HD versions).

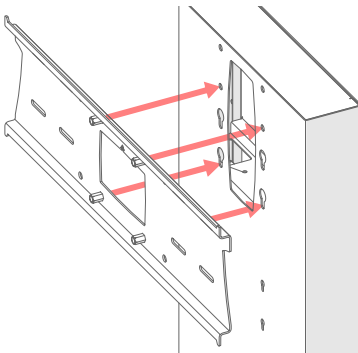
For a stand version, insert the plastic feet. For a trolley version, tap castors with the rubber mallet until they lock into place (ensure braked castors are at the front). For bolt down or floor-to-wall base instructions, please see page 5.



STEP 2

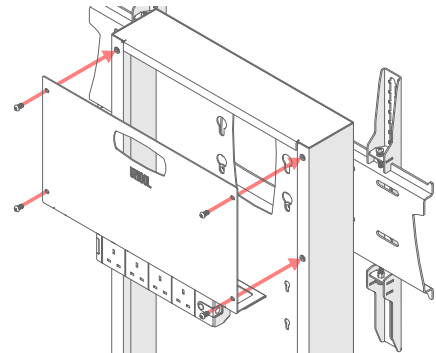
Unlock and lift out rear door. Remove upper rear panel by unscrewing 4x M6 screws.

For RH200, please continue on page 6.



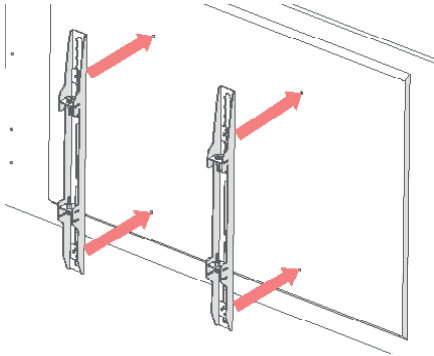
STEP 3

Place 2x screws in the bottom two rivnuts of the mount back plate and slot into chosen keyholes in mast. From the rear, screw in top two screws into the back plate and fully tighten all 4 screws.



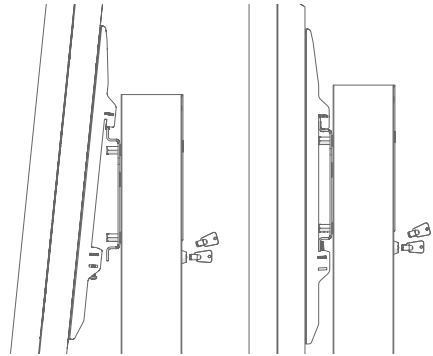
STEP 4

Feed cables for screen through hole in backplate and front of mast and down through cable access. Refit rear top panel using x4 M6 screws. Refit rear door and lock.



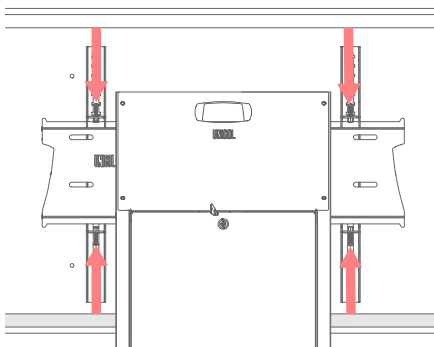
STEP 5

Locate the mounting holes on the back of your screen. Line the two mounting arms up and using the taglocks/two part spacers provided and the manufacturer recommended screws, attach the arms to the back of the screen.



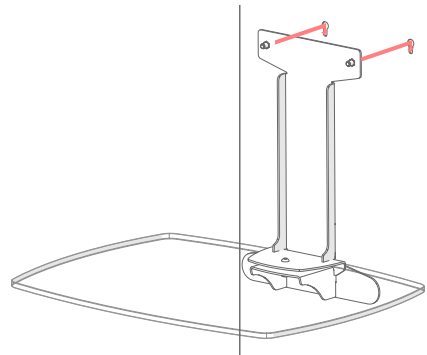
STEP 6

Line the screen and arms up with the secured back plate and offer it up at a slight angle - allowing the top of the arms to hook over the lip of the back plate.



STEP 7

Gently lower the screen until the arms are securely hanging on top of the back plate. Once centered, adjust the level of the screen with the two top screws on the mount arms. Once levelled secure the screen by tightening the bottom two screws.



STEP 8 [OPTIONAL]

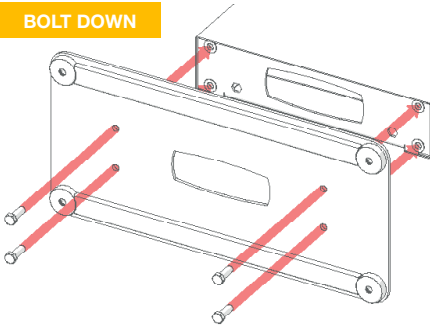
Optional bolt on shelf install.

Hook screws into keyhole slots in front of mast.
 Fully tighten screw from rear.

See 'Accessories' below for more options.

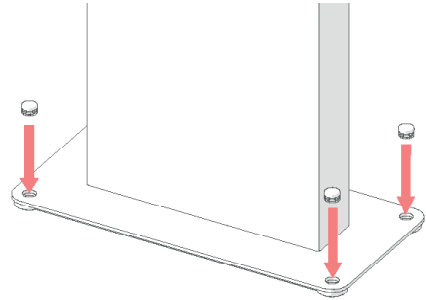


BOLT DOWN



STEP 1a

With mast laying flat on a table (as shown above) pick up the base and offer the base to the mast. Ensure fixing holes are aligned and then secure.

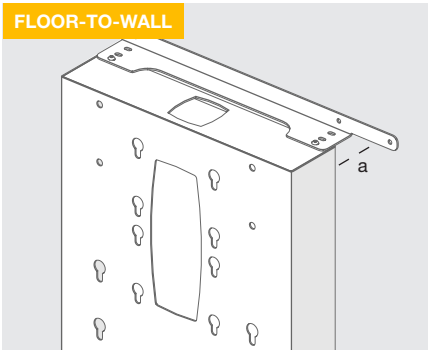


STEP 2a

Once secure, stand the stand upright and place on a flat, stable surface. Mark position of holes, as highlighted above, and fix into the floor.

Follow on from Step 3.

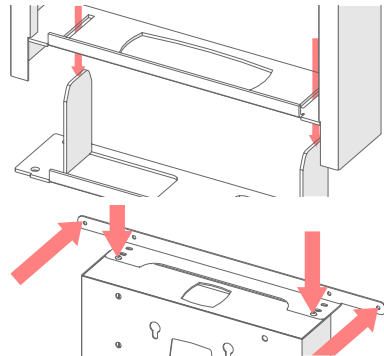
FLOOR-TO-WALL



STEP 1b

Considering skirting boards and cable caddies, offer the mast up to the wall using the wall bracket as a guide with how far out you'd like it to sit (a).

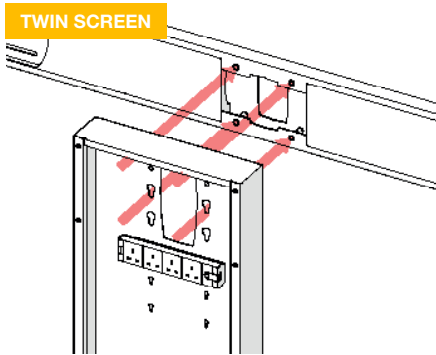
Identify bolt down base positioning, mark and fix into position. Follow Steps 2, 3 and 4 before continuing to 2b.



STEP 2b

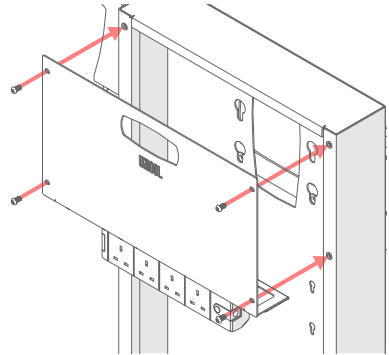
Gently place the mast over the base as shown above - making sure cables don't get caught. Mark out the positioning for the wall tie, then fix to the top of the Rhobus mast and the wall.

Follow on from Step 5.



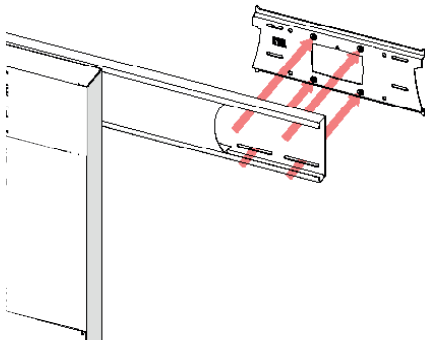
STEP 3

Place 2x screws in the bottom two rivnuts of the span bar plate and slot into chosen keyholes in mast. From the rear, screw in top two screws into the span bar and fully tighten all four screws.



STEP 3a

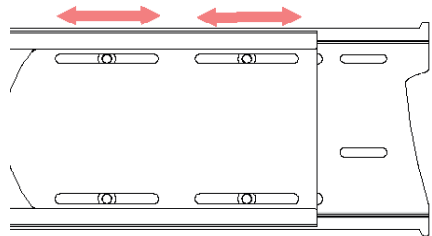
Feed cables for screen through hole in backplate and front of mast, down through cable access and through the span bar. Refit rear top panel using x4 M6 screws. Refit rear door and lock.



STEP 3b

From the rear, screw in four screws into the mount back plate through the wide span bar slots and tighten all four screws.

Repeat for the opposite side.



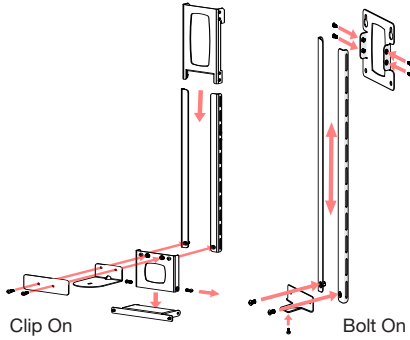
PLEASE NOTE

Once the screens are fitted onto the back plates (step 6), you may need to adjust the horizontal positioning. To do this, loosen the screws on the rear whilst one/two people are holding the screen, you can then adjust the screens positioning.

Please follow on with Step 5 on Page 4.

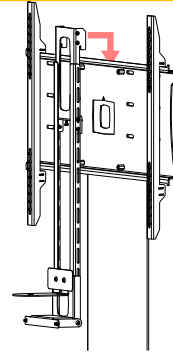


ACCESSORIES – SOUNDBAR & VC MOUNT



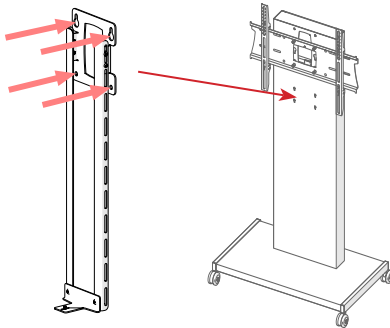
STEP 1 (OPTIONAL)

There are 2 types of fixing for Soundbar & VC Mounts - Clip On & Bolt On (Generic versions shown) locate the component shown exploded above. If the screen is already fitted it is easier to remove this in order to fit the unit. Both units can be height adjusted with the side screws and slots in the vertical arms.



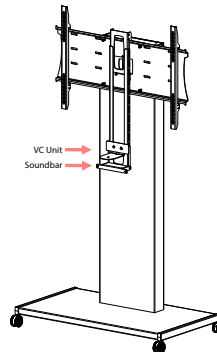
STEP 2 – CLIP ON (OPTIONAL)

With the unit assembled hook the top bracket over the rail of the PZX screen mount back plate. The normal position is central on the rail but you can slide it from side to side.



STEP 3 – BOLT ON (OPTIONAL)

With the unit assembled fix the unit to the 4 fixing points on the mast unit under the screen mount as shown above.

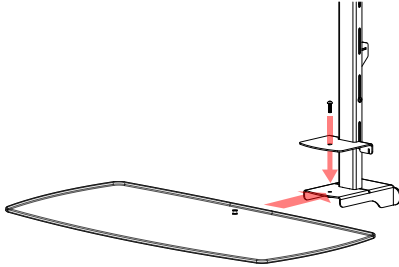


STEP 4 (OPTIONAL)

In general the Soundbar fits to the bottom bracket on the arms. The VC unit fits to the small platform above the sound bar bracket. Cable up routing up the arms through the aperture in the PZX screen mount back plate.

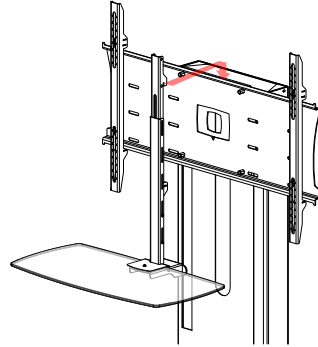


ACCESSORIES – GLASS SHELF



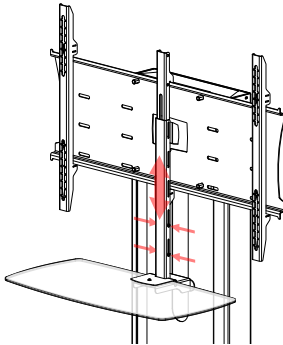
STEP 1 (OPTIONAL)

There are 2 types of shelf unit - Clip On & Bolt On with standard or large shelves. The glass is fitted to the bracket arms in the same way. Remove allen screw shown above so that the top arm clamp can be lifted clear. Position shelf so that the fixing hole aligns with hole on bottom arm clamp. Refit top arm clamp into slots and fix with allen screw.



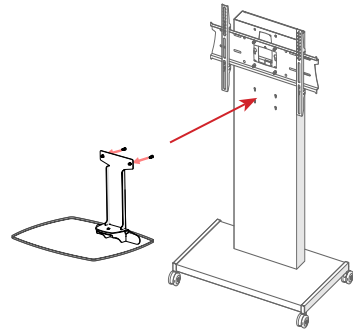
STEP 2 – CLIP ON (OPTIONAL)

With the shelf assembled hook the top bracket over the rail of the PZX screen mount back plate. The normal position is central on the rail but you can slide it from side to side.



STEP 3 – CLIP ON ADJUSTMENT (OPTIONAL)

The Clip On version can be adjusted for height by loosening the pozidrive screws on the sides of the arm and sliding up or down. Re-tighten at desired height.



STEP 4 – BOLT ON (OPTIONAL)

With the unit assembled fix the shelf to any 2 fixing points on the mast unit under the screen mount as shown above. The screws can be accessed by opening the rear door of the mast.