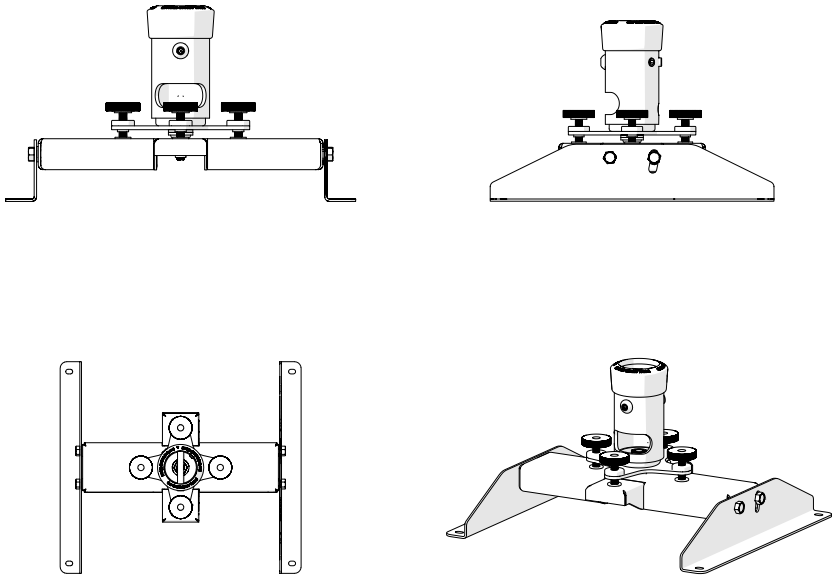


PSM



Guide Max. Projector Weight: 60kg

Please check model specific details before installing

Revised 26/04/23

WARNING

Please carefully inspect the product before assembling. If you notice any apparent damage, call your carrier claims agent and do not continue the installation until it has been reviewed. Please watch for pinch points. Do not put your fingers between moveable parts. Do not tamper with or disassemble any spring loaded parts. Before installing, make sure that the supporting surface will support five times the combined load of the solution and the hardware. Never exceed the maximum load capacity. Please also layout all components to ensure that you have all of the required parts before proceeding (see BOM list on following page). Use of this product for anything other than its specified use may result in failure or personal injury. This product is intended for indoor use only. We recommend using a qualified trades person for installation. Use an assistant or lifting equipment to lift and position products.

For support, please call: +44 (0)1865 767676 or email: sales@unicol.com

#	TOOLS REQUIRED
1	3/16th Allen Key
2	13mm Spanner (for M8)
3	17mm Spanner (for M10)

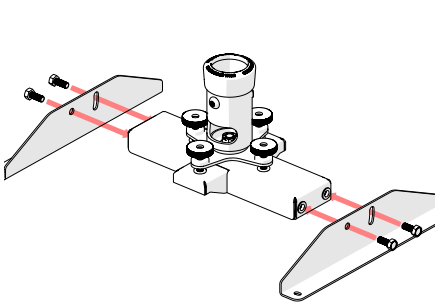
INSTALLERS REQUIRED
1-2

COMPONENTS

①

②

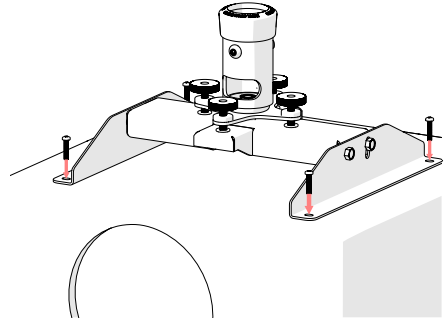
#	DESCRIPTION	QTY
1	PSM - Socket & Bar Assembly	1
2	PSM - Dedicated Projector Fixing Arms	2
	M5 x (15-25) Fixing Screws	4



STEP 1

The PSM is made up of 2 parts. The Bar & Socket Assembly with Micro Adjustment and the Projector Fixing Arms. These parts are fixed together with 4 x M8 or M10 hex screws.

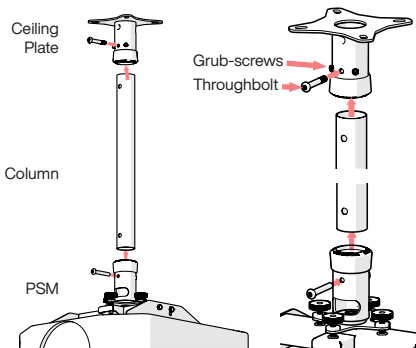
The socket of a PSM generally fits to a column or peg connected to a ceiling plate or wall arm. The lower part fixes to an inverted projector. Cables run through column or peg and sockets to projector.



STEP 2

Invert the projector and remove the 4 x factory fitted Feet.

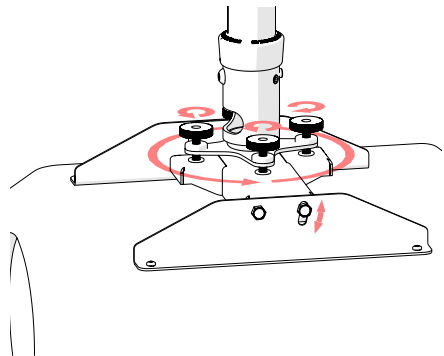
Using the fixing screws provided fit the assembled PSM to the fixing holes that the feet were fitted to.



STEP 3 (Typical Installation)

Remove Through-bolt in upper part of PSM socket and loosen grub screws. Align socket with column or peg. Thread cables through socket. Insert Through-bolt and tighten. Tighten 2 x grub screws either side of Through-bolt.

Safety Through-bolts must be used to secure the PSM. Grub screws are used to remove slack in the joint.

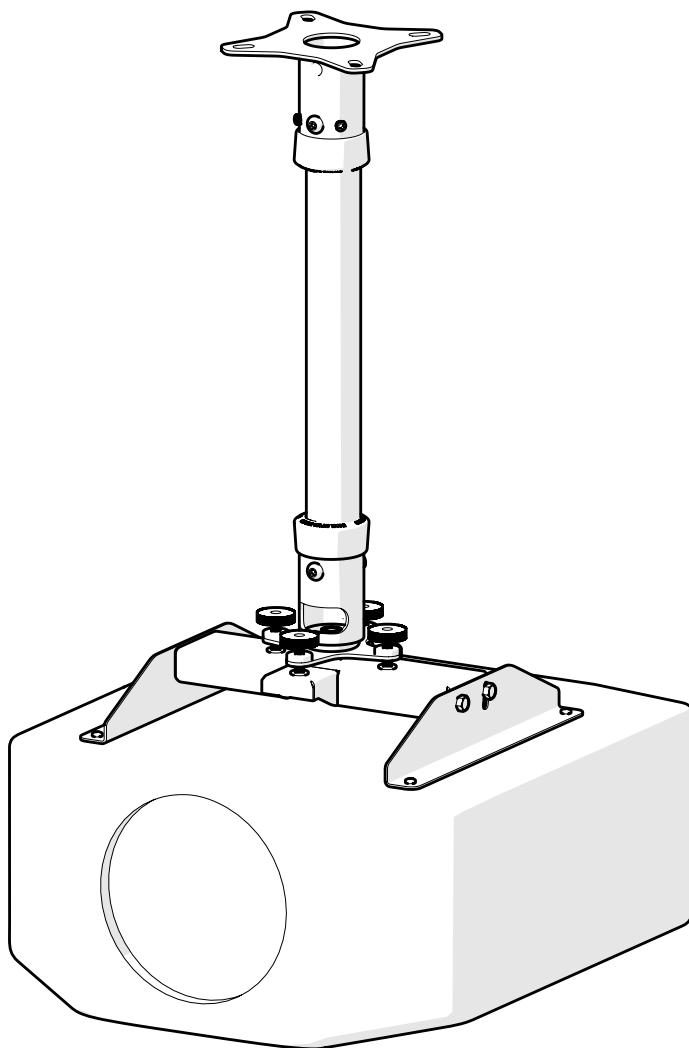


STEP 4

Course tilt adjustment is enabled on the Fixing Arms by loosening the hex bolts and moving projector up or down in slot. The projector swivels at the socket joint.

Fine adjustment in tilt & yaw is enabled by screwing in or out the 4 x knurled adjusters on the bar of the PSM.

Beware of stretching cables when adjusting angles.



Typical Installation - JVC DLA-NZ8