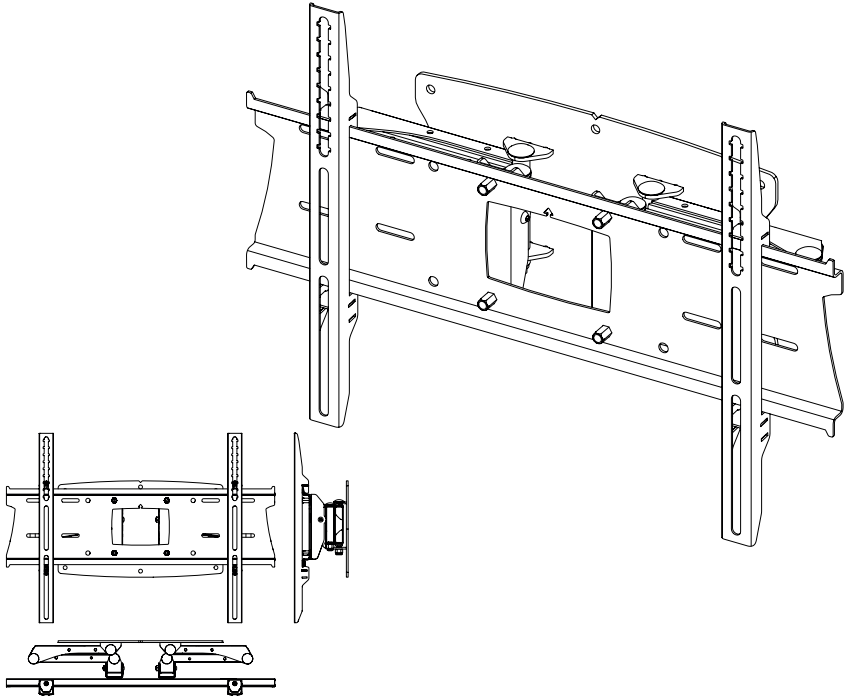




## PLA2X1 / PLA2X9



**Screen Size:** 58-90" | **Guide Max. Weight:** 60kg

\*Please check model specific details before installing\*

Revised 26/04/24

### WARNING

Please carefully inspect the product before assembling. If you notice any apparent damage, call your carrier claims agent and do not continue the installation until it has been reviewed. Please watch for pinch points. Do not put your fingers between moveable parts. Do not tamper with or disassemble any spring loaded parts. Before installing, make sure that the supporting surface will support five times the combined load of the solution and the hardware. Never exceed the maximum load capacity. Please also layout all components to ensure that you have all of the required parts before proceeding (see BOM list on following page). Use of this product for anything other than its specified use may result in failure or personal injury. This product is intended for indoor use only. We recommend using a qualified trades person for installation. Use an assistant or lifting equipment to lift and position products.

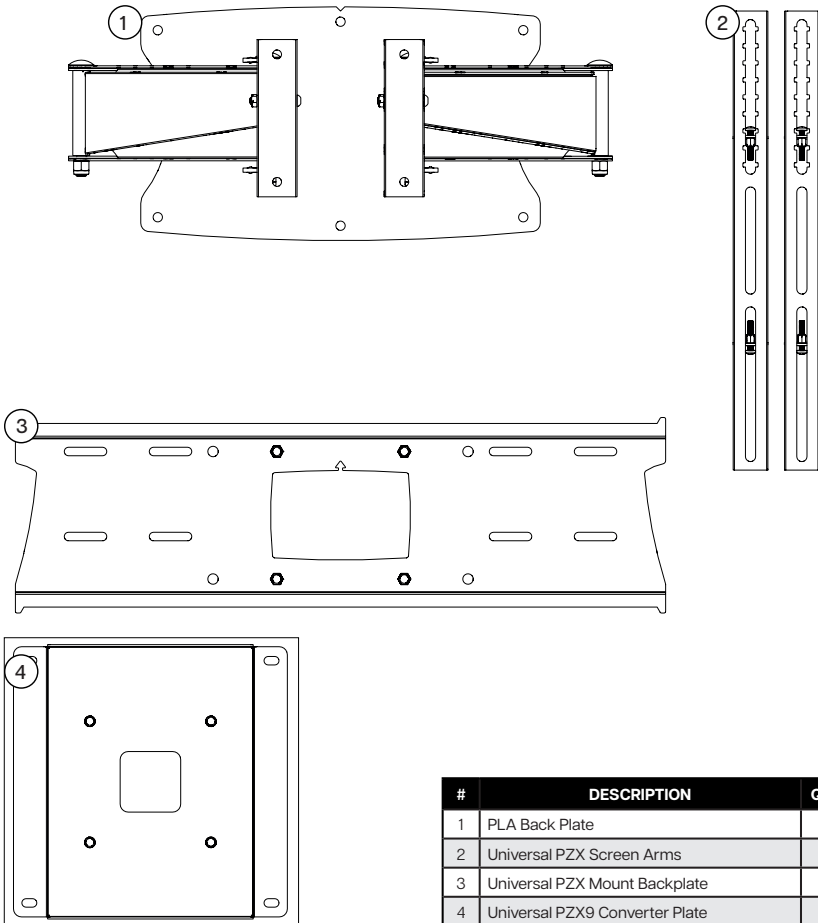
For support, please call: +44 (0)1865 767676 or email: sales@unicol.com



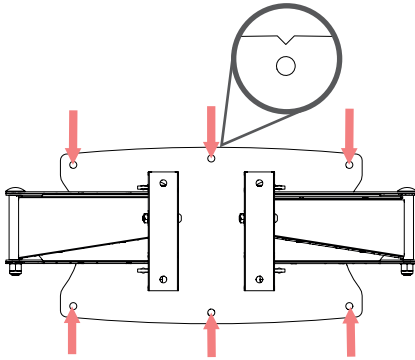
#	TOOLS REQUIRED
1	4mm Allen Keys
2	Pozi Head Screwdriver
4	17mm Spanner

INSTALLERS REQUIRED
<b>1-2</b>

## COMPONENTS



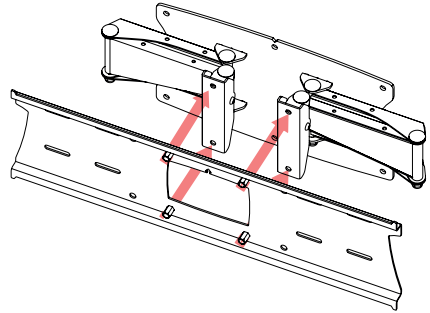
#	DESCRIPTION	QTY
1	PLA Back Plate	1
2	Universal PZX Screen Arms	2
3	Universal PZX Mount Backplate	1
4	Universal PZX9 Converter Plate	1



### STEP 1

Using the 6 wall mounting slots cut out on the back plate, determine where you want to install your mount, mark it and fix into position. Please ensure that the side with a small notch is at the top as shown above.

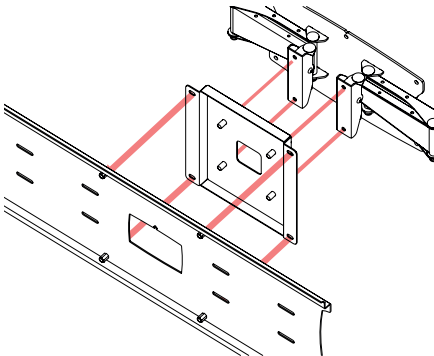
Please consider cabling and wall fixings prior to installation. Please check surface is capable of supporting 5x the combined solutions weight.



### STEP 2

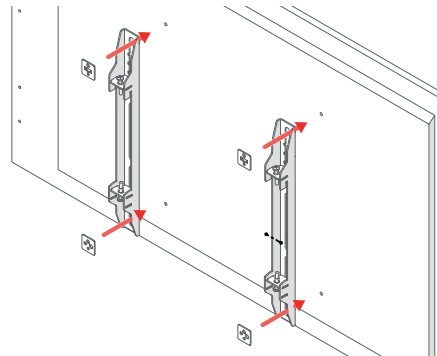
A separate universal mount (PZX) is provided to mount your screen on the PLS or PLA. Separate instructions are provided with each screen mount. Follow these to mount your screen onto the mount backplate

Fix the PZX backplate to the head of the PLS/PLA using the M10x25 hex head screws provided.



### STEP 3 (FOR PZX9)

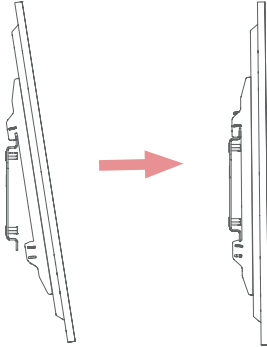
If using a PZX9 for the PLA2X9, there will be an additional converter plate included. This will need to be attached to the back of the PZX9 and then to the arms on the mount backplate.



### STEP 4

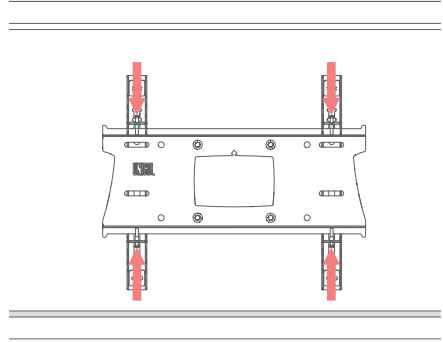
Utilising the tag locks and fixing pack provided with your mount, attach the arms to the back of your screen.

Ensure the arms are the correct way up before tightening - the 'hook' part of the arm should be at the top.



## STEP 5

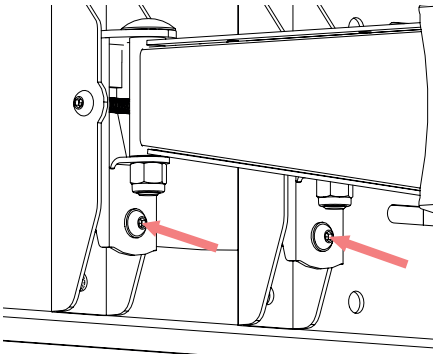
Using another team member, lift the screen up and gradually offer it up to the back plate. Gently tilting the screen forward, hook the arms over the lip of the back plate and lower once in position. Centre the screen horizontally by sliding from side to side until you are happy with the position.



## STEP 6

Once centered, ensure the bottom screws are not screwed tight and screw down the top screws to level the screen. Once level tighten bottom screws to secure the mount.

Note that you won't be able to adjust the screens position after the screws have been tightened.



## STEP 7

There is fine adjustment of the screen tilt angle using the allen key provided to rotate the M8 grub screw adjuster on the rear of the mount. Turn clockwise to tilt upwards.

Cable up your screen using cable ties through the holes in the arms. There are extra tags on the elbow of the first arm for this purpose.