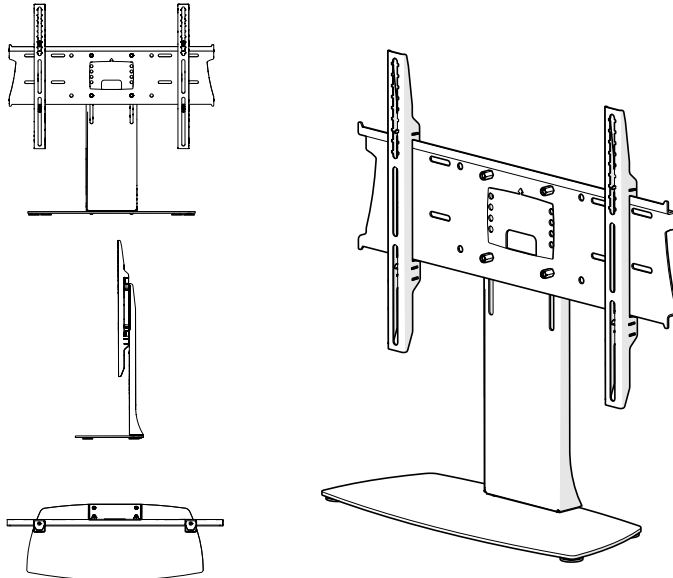




## PFT1 / PFT3 / PFT4 / PFT9 / PFT21



Screen Size: 33-110" | Guide Max. Weight: 120kg  
*\*Please check model specific details before installing\**

Revised 22/03/23

### WARNING

Please carefully inspect the product before assembling. If you notice any apparent damage, call your carrier claims agent and do not continue the installation until it has been reviewed. Please watch for pinch points. Do not put your fingers between moveable parts. Do not tamper with or disassemble any spring loaded parts. Before installing, make sure that the supporting surface will support five times the combined load of the solution and the hardware. Never exceed the maximum load capacity. Please also layout all components to ensure that you have all of the required parts before proceeding (see BOM list on following page). Use of this product for anything other than its specified use may result in failure or personal injury. This product is intended for indoor use only. We recommend using a qualified trades person for installation. Use an assistant or lifting equipment to lift and position products.

*For support, please call: +44 (0)1865 767676 or email: sales@unicol.com*



| # | TOOLS REQUIRED        |
|---|-----------------------|
| 1 | 5mm Allen Key         |
| 2 | Pozidrive Screwdriver |
| 3 | 17mm Spanner / Socket |
|   |                       |
|   |                       |

| INSTALLERS REQUIRED |
|---------------------|
| 1-2                 |

### COMPONENTS

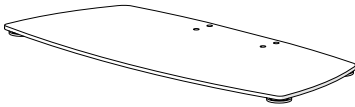
2

3

1

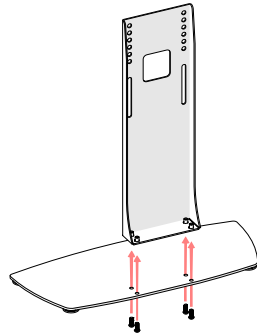
4

| # | DESCRIPTION            | QTY |
|---|------------------------|-----|
| 1 | Base                   | 1   |
| 2 | Mast                   | 1   |
| 3 | Screen Mount Backplate | 1   |
| 4 | Screen Mount Arms      | 2   |



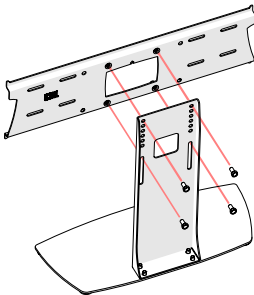
### STEP 1

Identify base and place on a solid surface.



### STEP 2

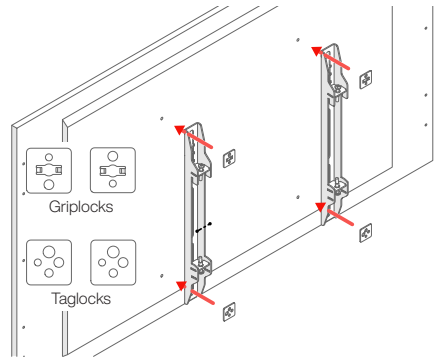
Fit mast to base using the 4 x M8 x 20 dome head allen screws provided. Screw into mast from under the base.



### STEP 3

Fit the screen mount backplate to the mast using the 4 x M10 x 25 hex screws provided.

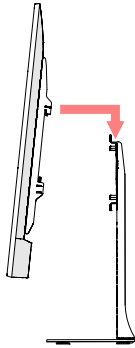
The height position of the screen is dependent on which holes are used in the mast. Remember to leave enough room for the screen to fit above the base. There is also height adjustment on the screen mount arms if further adjustment is required.



### STEP 4

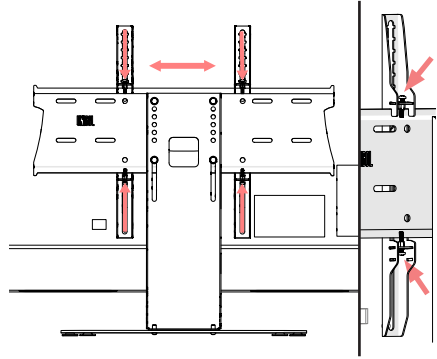
Utilising the grip locks (top), tag locks (bottom) and fixing pack provided with your mount, attach the arms to the back of your screen.

Ensure the arms are the correct way up before tightening - the 'hook' part of the arm should be at the top.



### STEP 5

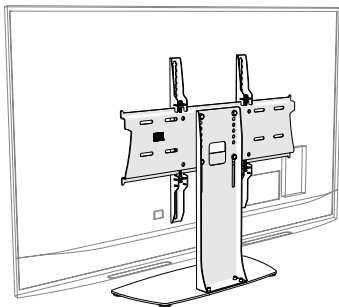
Dependent on screen size and weight, with the help of another, lift the screen with top tilted forward and place the hook part of the arms onto the top rail of the backplate. Allow the screen arms to rest on the backplate vertically. While still holding the screen position it centrally on the top rail by sliding it side to side.



### STEP 6

The bottom of the screen is secured by screwing the bottom arm pozidrive screws so they impinge on the bottom rail of the backplate (do not fully tighten yet).

There is a small amount of adjustment to level the screen by tightening or loosening one or both top arm screws. Once level tighten all arm screws.



### STEP 7

Cable up and carry out functional test to complete installation.