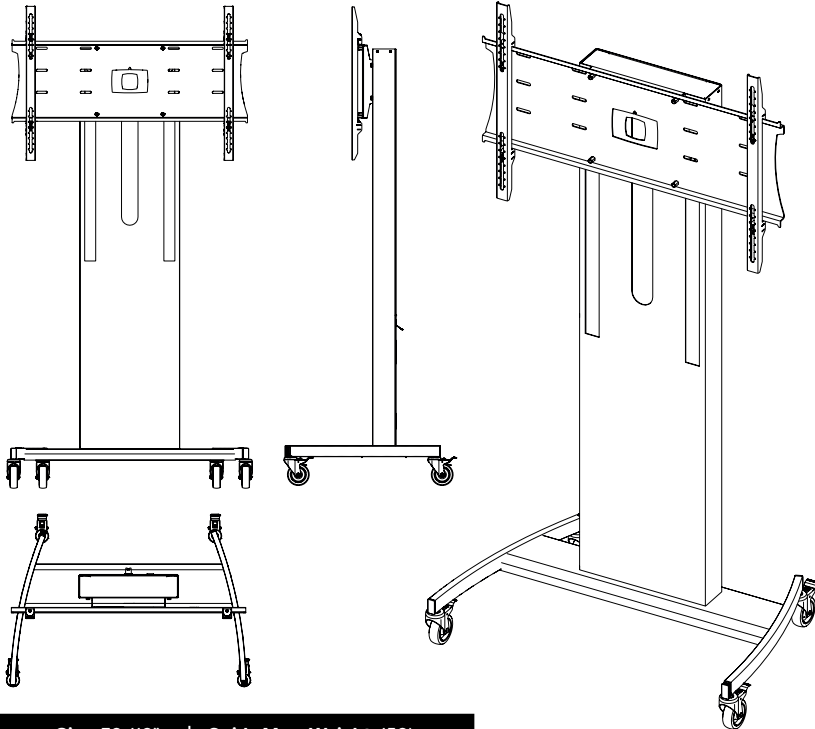




NST2PL



Screen Size: 70-110" | **Guide Max. Weight:** 150kg

Please check model specific details before installing

Revised 26/04/24

WARNING

Please carefully inspect the product before assembling. If you notice any apparent damage, call your carrier claims agent and do not continue the installation until it has been reviewed. Please watch for pinch points. Do not put your fingers between moveable parts. Do not tamper with or disassemble any spring loaded parts. Before installing, make sure that the supporting surface will support five times the combined load of the solution and the hardware. Never exceed the maximum load capacity. Please also layout all components to ensure that you have all of the required parts before proceeding (see BOM list on following page). Use of this product for anything other than its specified use may result in failure or personal injury. This product is intended for indoor use only. We recommend using a qualified trades person for installation. Use an assistant or lifting equipment to lift and position products.

For support, please call: +44 (0)1865 767676 or email: sales@unicol.com

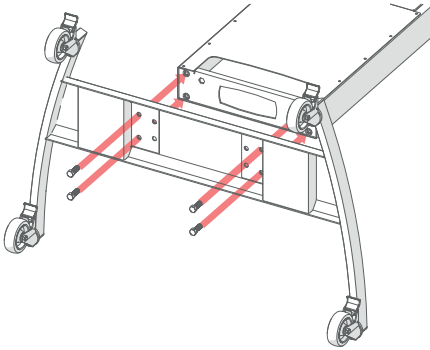


#	TOOLS REQUIRED
1	M4 Allen Key
2	Pozidrive Screwdriver
3	17mm Spanner

INSTALLERS REQUIRED
1-2

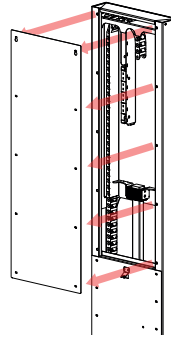
COMPONENTS

#	DESCRIPTION	QTY
1	Heavy Duty Base with Castors	1
2	Powalift Mast	1
3	Mount Adapter	1
4	PZX Screen Mount - Back Plate	1
5	PZX Screen Mount - Mounting Arms	2
6	Remote Control	1
7	Optional Accessory - Glass Shelf	1
8	Optional Accessory - Soundbar & VC Mount	1



STEP 1

Laying the mast on a flat surface, offer the base up and attach as shown above. All castors should already be pre-fixed to the base.

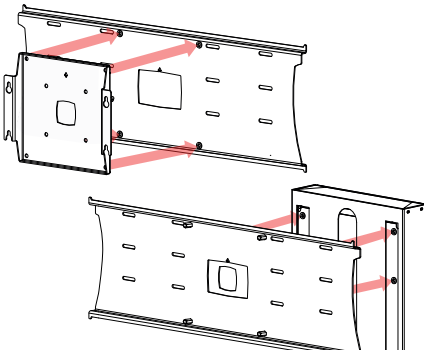


STEP 2

In preparation for cabling up later remove the mast top rear cover by removing the 10 x M6 x 16 Button Head Allen screws.

If there is an external signal or network cable to connect, remove the bottom cover. (10 screws).

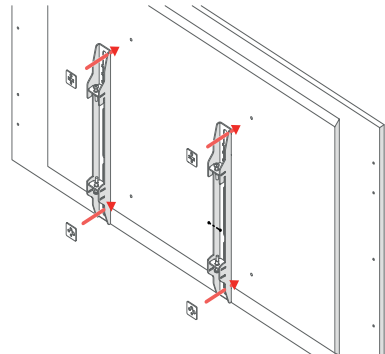
Put aside and retain.



STEP 3

(a) Locate the mount adapter and fix it to the rear of PZX screen back plate using the 4 x M10 x 25 Hex Head Screws.

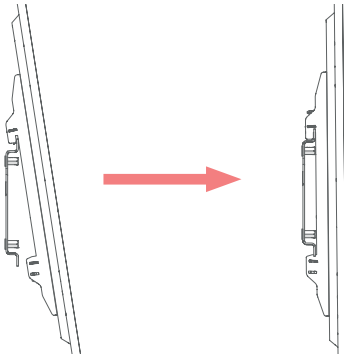
(b) Fit the mount adapter and fitted screen backplate to the mast by placing fixing screws from the rear of the mast through the fixing holes into the adapter plate and tighten.



STEP 4

Using the griplock (top) and taglock (bottom) spacers fix the mount arms to the screen fixing holes. Choose the correct manufacture recommended fixing screws for your screen from the universal fixing pack supplied.

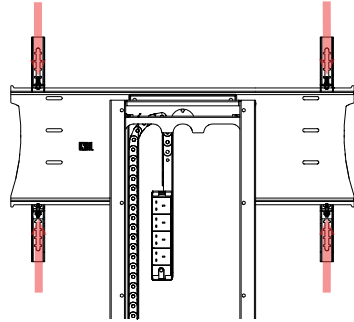
If you are fitting the VCSS / VSTS / SBM accessory, do it now.



STEP 5

Using another team member, lift the screen up and gradually offer it up to the back plate. Gently tilting the screen forward, hook the arms over the lip of the back plate rail and lower once in position.

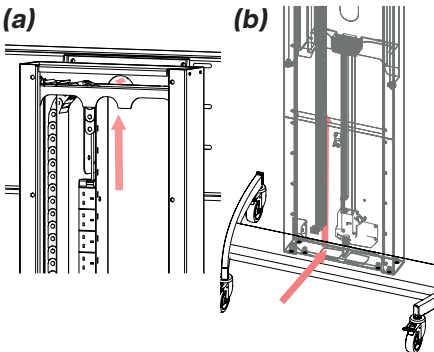
Centre the screen horizontally by sliding from side to side until you are happy with the position.



STEP 6

Once centered, ensure the bottom screws are not tightly fixed and screw down the top screws to level the screen. Once level tighten bottom screws to secure the mount.

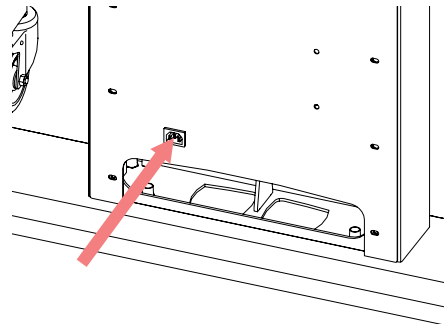
NOTE: The screen position cannot be adjusted after the bottom screws have been tightened.



STEP 7

(a) With the screen fitted, cable up from the 4-way power socket up through the aperture in the mount adapter and screen backplate to the rear of screen.

(b) External cables can be routed through either of the two apertures at the base of the unit. All cables should be fed up the power train to exit at the top of the unit.



STEP 8

To operate the unit connect the cable provided to a power source and plug the 'kettle' connector into the rear of the unit. Switch on and set up display and any AV accessories. Use the Remote Control provided and operate the actuator to rise and descend to ensure its full travel to complete installation.