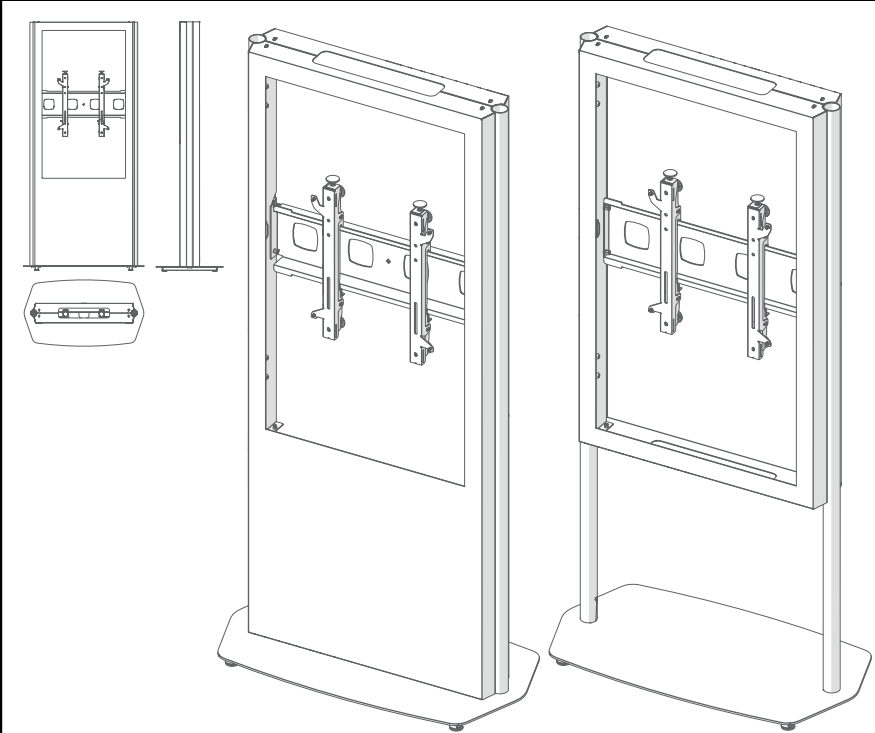


## OBELISK



Screen Size: 30-79" | Guide Max. Weight: 60kg

*\*Please check model specific details before installing\**

Revised 15/12/20

### WARNING

Please carefully inspect the product before assembling. If you notice any apparent damage, call your carrier claims agent and do not continue the installation until it has been reviewed. Please watch for pinch points. Do not put your fingers between moveable parts. Do not tamper with or disassemble any spring loaded parts. Before installing, make sure that the supporting surface will support five times the combined load of the solution and the hardware. Never exceed the maximum load capacity. Please also layout all components to ensure that you have all of the required parts before proceeding (see BOM list on following page). Use of this product for anything other than its specified use may result in failure or personal injury. This product is intended for indoor use only. We recommend using a qualified trades person for installation. Use an assistant or lifting equipment to lift and position products.

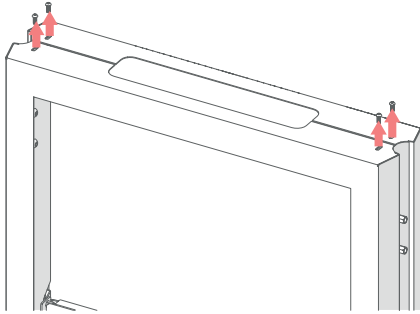
*For support, please call: +44 (0)1865 767676 or email: sales@unicol.com*

#	TOOLS REQUIRED
1	Pozi Head Screwdriver
2	5mm Allen Key
3	4mm Allen Key

INSTALLERS REQUIRED
2

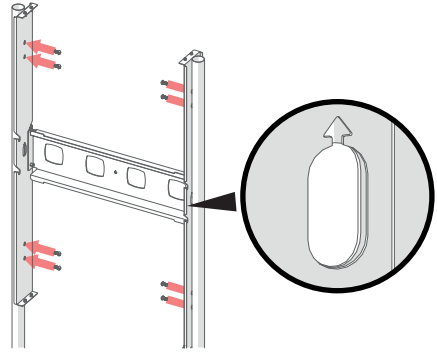
**COMPONENTS**

#	DESCRIPTION	QTY
1	Kiosk Front and Back Cover	1
2	Totem Front and Back Cover	1
3	Joining Side Panels	2
4	Adjustable Mount Arms	2
5	Mount Back Plate	1
6	Freestanding Base (1x Kiosk, 1x Totem)	1
7	2m Obelisk Columns	2
8	Alt. Bolt Down Base (1x Kiosk, 1x Totem)	-



### STEP 1

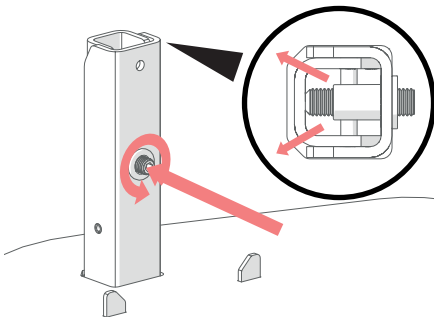
Unscrew the front and rear covers of the totem (at the top and the bottom) to separate them from the side plates.



### STEP 2

Screw the side plates into the columns, ensuring that the above hole with the arrow is pointing upwards.

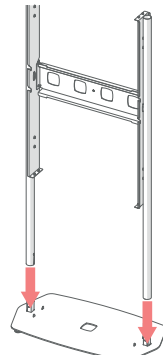
Thread the cabling through each column until it comes out of the arrowed hole.



### STEP 3

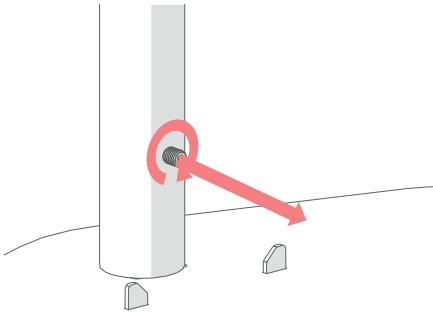
Check the jaws of the column grips, if you can push them together to fit a column over, ignore this step. If you can't, you will need to loosen the screws on the column grips to close them.

Thread cabling through bottom of base into column grips as highlighted above.



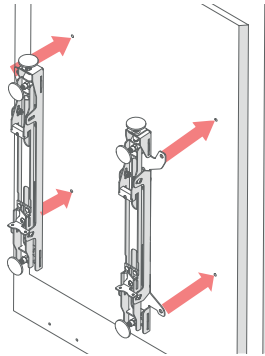
### STEP 4

Slide the columns over the column grips whilst ensuring cables are not caught.



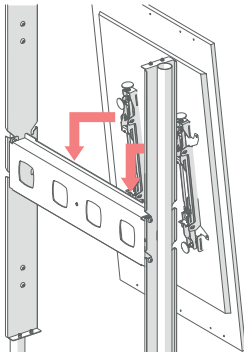
### STEP 5

Tighten the screws on both crocodile clips. This will cause the column grip to open and thus lock the columns in place.



### STEP 6

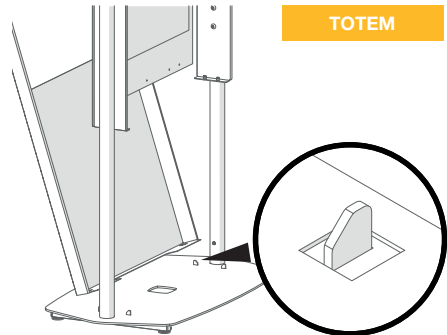
Locate the mounting holes on the back of your screen. Line the two mounting arms up (position arm hooks at the top of the screen) and using the tag locks and manufacturer recommended screws, attach the arms to the back of the screen.



### STEP 7

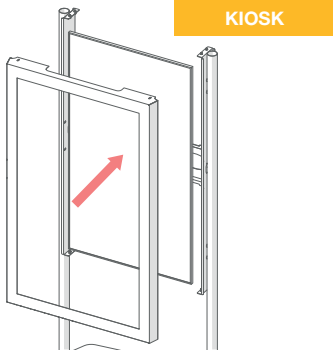
Using another team member, lift the screen up and gradually offer it up to the back plate. Gently tilting the screen forward, hook the arms over the lip of the back plate and lower once in position.

Centre the screen horizontally by sliding from side to side until you are happy with the position.



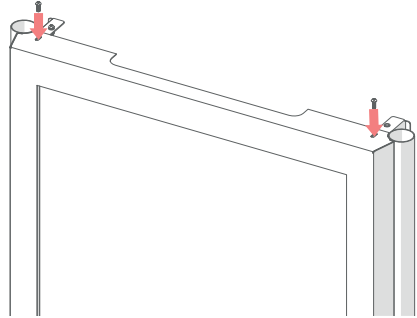
### STEP 8a

Lower and locate front totem cover onto retainer lugs on base and then stand the cover upright.



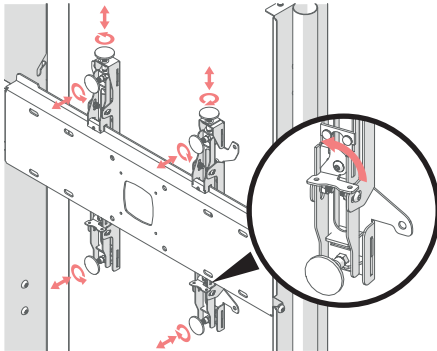
**STEP 8b**

Locate front cover and offer up to the brackets mounted to the insides of the column, ensuring that it overlaps both the top and bottom of the bracket.



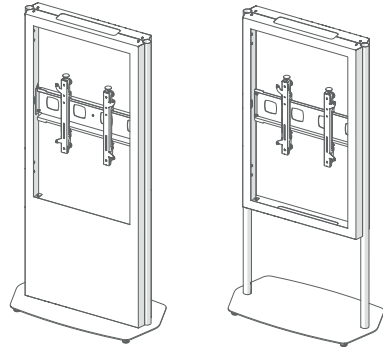
**STEP 9**

Replace the screws that were removed in Step 1. For the totem, this is just the top screws, for the Kiosk, this is securing both the top and bottom.



**STEP 10**

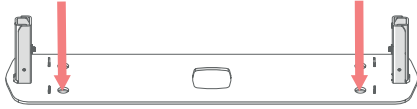
Adjust the mount arm handwheels to accurately position screen within the aperture. Once happy, tighten the arms on the mount by turning the locking lever through 90°.



**STEP 11**

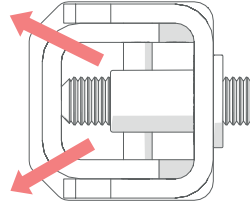
Repeat Steps 8 & 9 to fix the back plates into position.

## BOLT DOWN



### STEP 1

Position floor plate and mark through the screw holes where it will be positioned.



### STEP 2

Thread cabling through bottom of base into column grips as highlighted above. Using pilot holes marked in Step 1, fix the base into position.

Follow from Step 3.

## KIOSK



### STEP 3

KIOSK ONLY: Cover fixing holes with ribbed bungs.

Follow from Step 3.