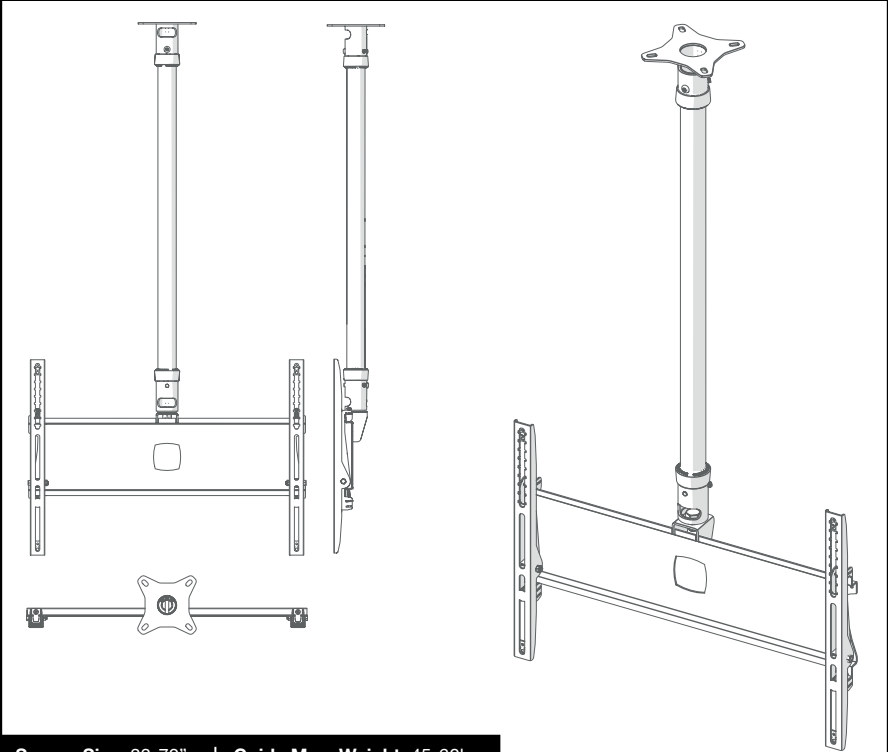


## KP KITS



Screen Size: 33-70" | Guide Max. Weight: 45-60kg

*\*Please check model specific details before installing\**

Revised 15/12/20

### WARNING

Please carefully inspect the product before assembling. If you notice any apparent damage, call your carrier claims agent and do not continue the installation until it has been reviewed. Please watch for pinch points. Do not put your fingers between moveable parts. Do not tamper with or disassemble any spring loaded parts. Before installing, make sure that the supporting surface will support five times the combined load of the solution and the hardware. Never exceed the maximum load capacity. Please also layout all components to ensure that you have all of the required parts before proceeding (see BOM list on following page). Use of this product for anything other than its specified use may result in failure or personal injury. This product is intended for indoor use only. We recommend using a qualified trades person for installation. Use an assistant or lifting equipment to lift and position products.

*For support, please call: +44 (0)1865 767676 or email: sales@unicol.com*

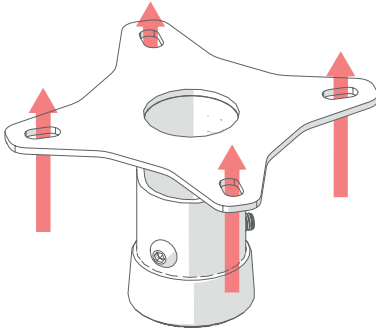
#	TOOLS REQUIRED
1	<i>Pozi Head Screwdriver</i>
2	<i>3/16th Allen Key</i>
3	<i>13mm Spanner</i>

INSTALLERS REQUIRED
<b>1-2</b>

**COMPONENTS**

The diagram illustrates the various components used in the UNICOL system. It includes a long horizontal column (1), a ceiling plate (2), a suspension mount (3), two universal tilting mount arms (4), an alternative suspension mount (5), and an alternative ceiling plate (6). The components are shown in various orientations and configurations to demonstrate their use.

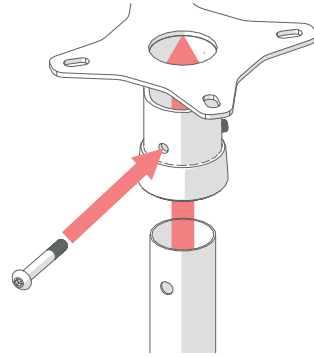
#	DESCRIPTION	QTY
1	Length of Column (1m, 2m or 3m)	1
2	CP1 Standard Ceiling Plate	1
3	Single Sided Suspension Mount	1
4	Universal Tilting Mount Arms	2
5	<i>Alternative Suspension Mount</i>	-
6	<i>Alternative Ceiling Plate</i>	-



### STEP 1

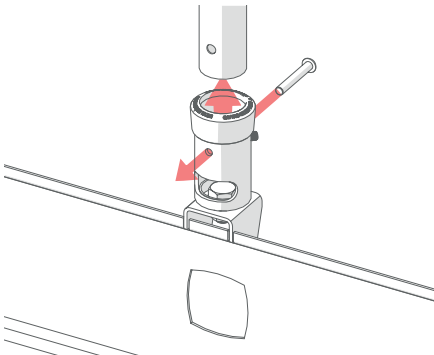
Using the 4 ceiling mounting slots, as shown above, determine where you want to install your mount, mark it and fix into position.

*Please consider cabling and ceiling fixings prior to installation. Please check surface is capable of supporting 5x the combined solutions weight.*



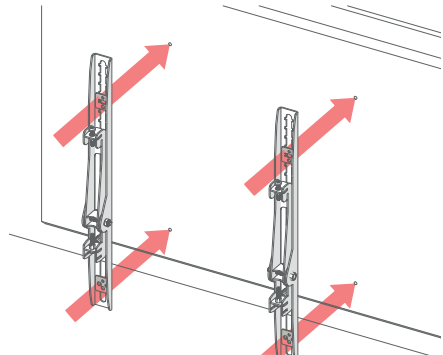
### STEP 2

Slide all cabling through the column and through the gap in the ceiling plate socket. Being mindful of the cables, slide the column into the socket, ensuring that the two holes either side align with those on the mount. Using the through bolt, secure the column into place and tighten the two grub screws at the rear.



### STEP 3

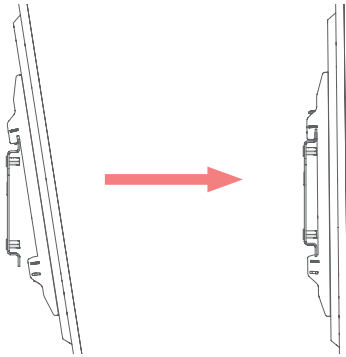
Slot cabling through the suspension mount socket and slide the mount over the column, ensuring that the two holes either side align with those on the column. Like in Step 2, slide the through bolt through the holes and secure. Tighten the two grub screws at the rear.



### STEP 4

Utilising the tag locks and fixing pack provided with your mount, attach the arms to the back of your screen.

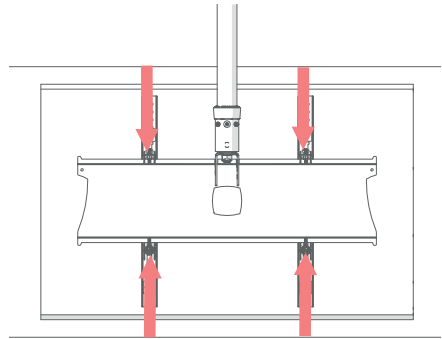
*Ensure the arms are the correct way up before tightening - the 'hook' part of the arm should be at the top.*



### STEP 3

Using another team member, lift the screen up and gradually offer it up to the back plate. Gently tilting the screen forward, hook the arms over the lip of the back plate and lower once in position.

Centre the screen horizontally by sliding from side to side until you are happy with the position. If double sided, repeat this step on the reverse side.

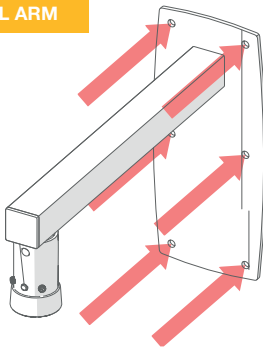


### STEP 4

Once centered, ensure the bottom screws are not screwed tight and screw down the top screws to level the screen. Once level tighten bottom screws to secure the mount. This is when you can adjust the tilting arms to suit.

*Note that you won't be able to adjust the screens position after the screws have been tightened.*

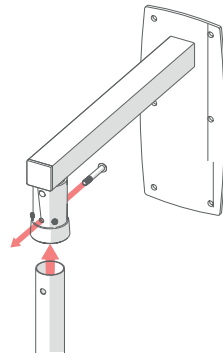
### WALL ARM



### STEP 1

Using the wall mounting holes in the back plate, determine where you want to install your mount, mark it and fix into position.

*Please consider cabling and wall fixings prior to installation. Please check surface is capable of supporting 5x the combined solutions weight.*



### STEP 2

Slide all cabling through the column and through the gap in the wall plate socket. Being mindful of the cables, slide the column into the socket, ensuring that the two holes either side align with those on the mount. Using the through bolt, secure the column into place and tighten the grub screws at the front of the socket. Continue from Step 3.