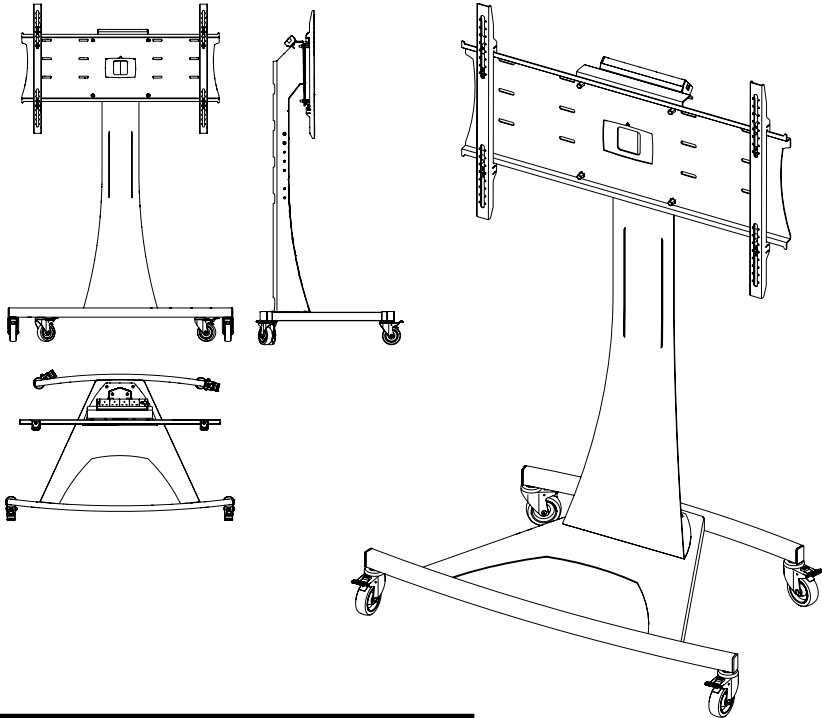




## AXT15T / AXT15BD / AXT15P AXT20T / AXT20BD / AXT20P



**Screen Size:** 71 - 110" | **Guide Max. Weight:** 200kg

\*Please check model specific details before installing\*

Revised 05/01/24

### WARNING

Please carefully inspect the product before assembling. If you notice any apparent damage, call your carrier claims agent and do not continue the installation until it has been reviewed. Please watch for pinch points. Do not put your fingers between moveable parts. Do not tamper with or disassemble any spring loaded parts. Before installing, make sure that the supporting surface will support five times the combined load of the solution and the hardware. Never exceed the maximum load capacity. Please also layout all components to ensure that you have all of the required parts before proceeding (see BOM list on following page). Use of this product for anything other than its specified use may result in failure or personal injury. This product is intended for indoor use only. We recommend using a qualified trades person for installation. Use an assistant or lifting equipment to lift and position products.

For support, please call: +44 (0)1865 767676 or email: sales@unicol.com

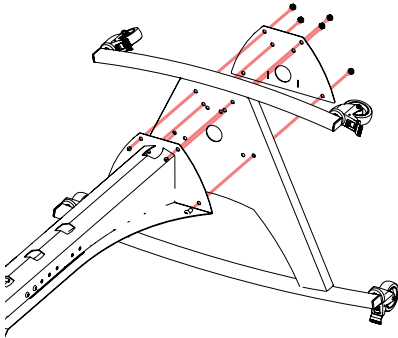


#	TOOLS REQUIRED
1	4mm & 5mm Allen Keys
2	Pozi Head Screwdriver
3	19mm Spanner
4	17mm Spanner

INSTALLERS REQUIRED
<b>2-3</b>

**COMPONENTS**

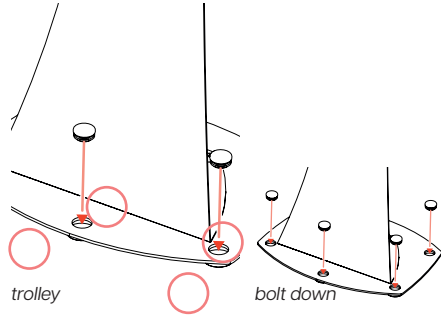
#	DESCRIPTION	QTY
1	1500 / 2000mm Mast with Power Socket	1
2	Mast to Base Support Plate	1
3	Axia Titan Trolley Base	1
4	Universal Mount Arms	2
5	Universal Mount Bracket	1
6	Alternative Axia Titan Plinth Base	-
7	Alternative Axia Titan Bolt Down Base	-
8	Optional - Locking Cabinet (AXLC)	-
	Optional - Shelves (AXSS, AXGS, AXWS)	-



### STEP 1

With mast laying flat on a table (as shown above) pick up the base with the help of another person and offer the base to the mast. Ensure fixing holes are aligned and then secure with M10x25 screws.

Castors/plinth pegs will already be fitted.

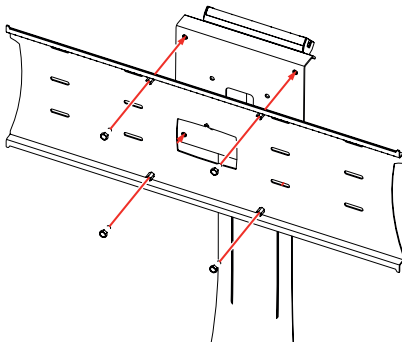


### STEP 2

Once secure, stand the stand/trolley upright and place on a flat, stable surface.

If building trolley version shown, lock the brakes located on all castors to prevent movement.

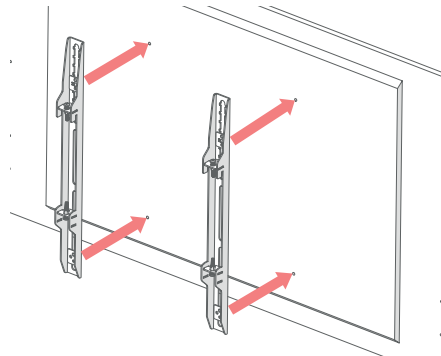
If building the bolt down version, mark position of holes, as highlighted above, and fix into the floor. Cover with finishing caps provided to hide bolts.



### STEP 3

Line the back plate up with the fixing holes at top of mast. Fix 4 x M10x20 screws through mast to locate into back plate. Ensure back plate is secure and screws are tightened. Attach the 4-way power socket.

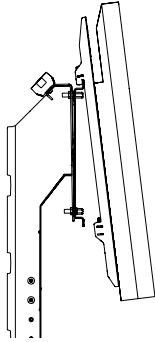
*\*Electrical socket instructions supplied separately*



### STEP 4

Locate the mounting holes on the back of your screen. Line the two mounting arms up (position arm hooks at the top of the screen) and using the tag locks and manufacturer recommended screws provided, attach the arms to the screen.

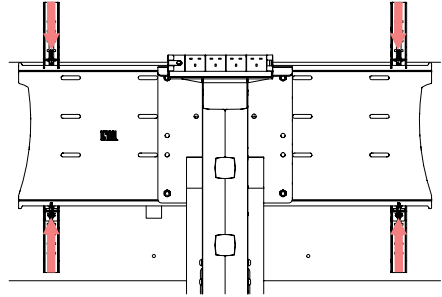
Unwind the bottom two fixing screws on the arms in preparation for step 5.



### STEP 5

Using another team member, lift the screen up and gradually offer it up to the back plate. Gently tilting the screen forward, hook the arms over the lip of the back plate and lower once in position.

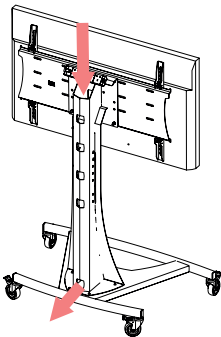
Centre the screen horizontally by sliding from side to side until you are happy with the position.



### STEP 6

Once centred, ensure the bottom screws are not screwed tight and screw down the top screws to level the screen. Once level tighten bottom screws to secure the mount.

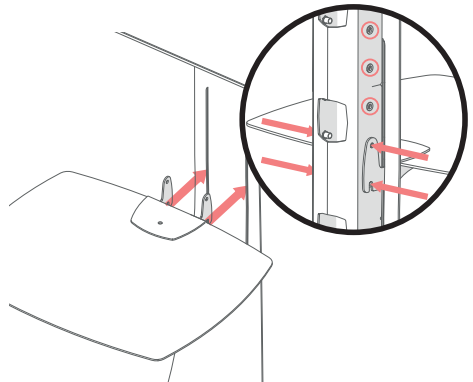
Note that you won't be able to adjust the screen position after the screws have been tightened.



### STEP 7

Using the 4-way socket for power and mast as a cable conduit, cable up your screen as shown above.

Your solution is now ready to go!



### STEP 8

If using a shelf or locking cabinet, offer it up to the mast, sliding the 'arms' through the slits located in the centre of the mast.

Using the fixing points on the back of the mast, choose your designated height and screw into position.