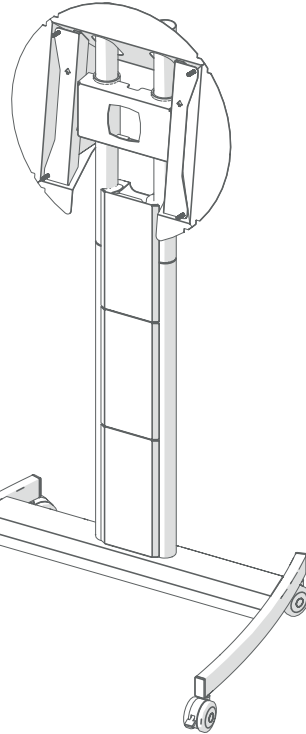
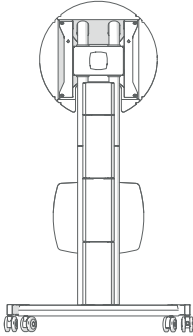


AVHTSURH



Screen Size | **Max Weight**
50" | 60kg

Revised 15/12/20

WARNING

Please carefully inspect the product before assembling. If you notice any apparent damage, call your carrier claims agent and do not continue the installation until it has been reviewed. Please watch for pinch points. Do not put your fingers between moveable parts. Do not tamper with or disassemble any spring loaded parts. Before installing, make sure that the supporting surface will support five times the combined load of the solution and the hardware. Never exceed the maximum load capacity. Please also layout all components to ensure that you have all of the required parts before proceeding (see BOM list on following page). Use of this product for anything other than its specified use may result in failure or personal injury. This product is intended for indoor use only. We recommend using a qualified trades person for installation. Use an assistant or lifting equipment to lift and position products.

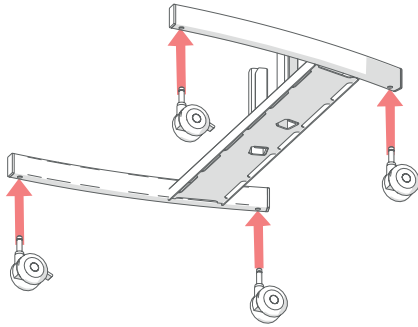
For support, please call: +44 (0)1865 767676 or email: sales@unicol.com

#	TOOLS REQUIRED
1	Pozi Head Screwdriver
2	5mm Allen Key
3	3/16th Allen Key
4	Rubber Mallet (optional for castors)

INSTALLERS REQUIRED
2

COMPONENTS

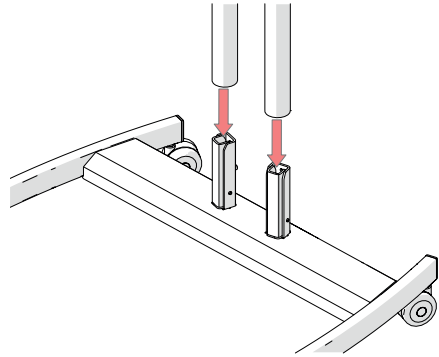
#	DESCRIPTION	QTY
1	Microsoft Surface Hub 2S Mount Arm	2
2	Twin Column Mount Adapter	1
3	30cm Mast Front In-Fill Panel	3
4	30cm Mast Rear In-Fill Panel	3
5	15cm Mast Front In-Fill Panel	1
6	15cm Mast Rear In-Fill Panel	1
7	Column Couper	2
8	7.5cm Castors (2x Braked, 2x Standard)	4
9	AVP4 - Rear Fold Down Shelf	1
10	Microsoft Surface Hub 2S Rear Cover	1
11	610mm Column - Split Top	2
12	760mm Column - Split Lower	2
13	Avecta Trolley Base	1
14	Set Screws (Grub Screws)	8
15	M6 x 25 Pozi Head Screws	4
16	M8 x 20 Button Head Screws	4
17	M4 x 16 Countersunk Screws	2



STEP 1

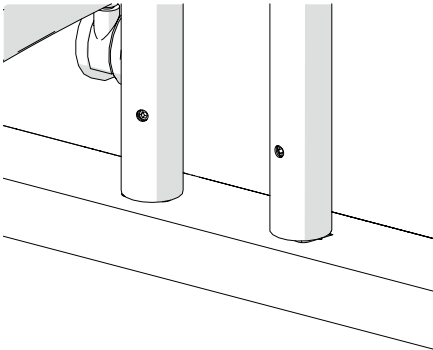
Turn the base upside down and push each castor until it clicks into place. Please ensure that the castors with brakes are located at the front.

Place base on the floor and apply brakes on front wheels by pressing brake lever down.



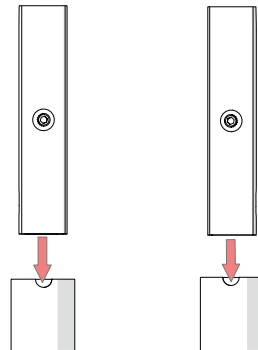
STEP 2

All columns have a half-moon notch at one end and 2 of the columns will have holes at 75mm from one end. Place the 2 columns with holes over the crocodile lugs on the base.



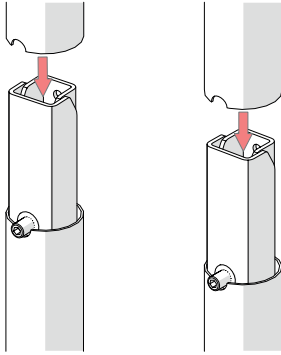
STEP 3

Ensure that the holes line up with the grub screws at the rear of the crocodile lugs. Gently tighten the grub screws.



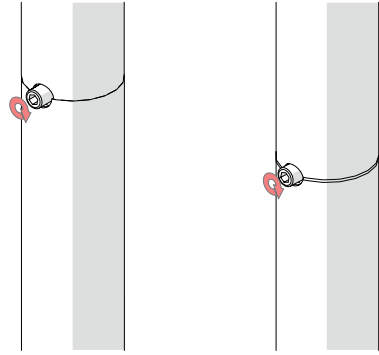
STEP 4

Place column couplers into columns so that the open jaws are at the top and the grub screws align with the half-moon notch at the rear. (Ensure grub screws are screwed out enough to hold the column coupler in place).



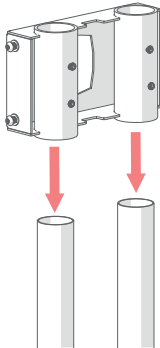
STEP 5

Place top columns over the column couplers



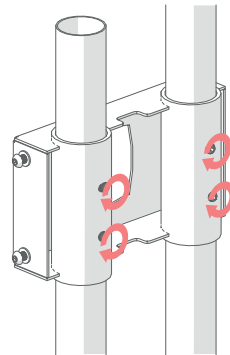
STEP 6

Gently tighten.



STEP 7

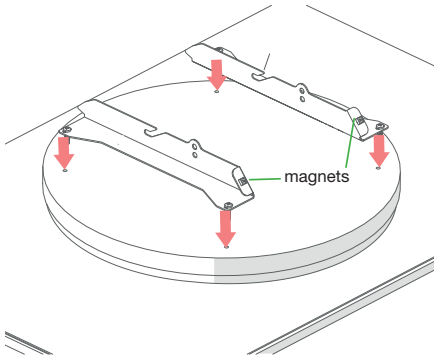
Place twin column mount adapter assembly over the top columns and locate fully.



STEP 8

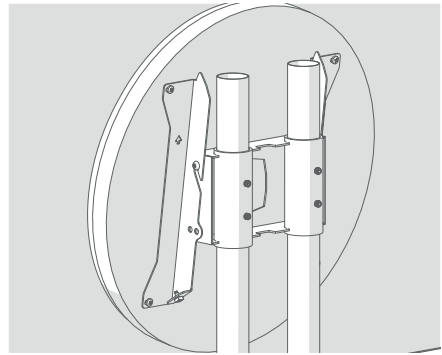
Tighten all column assembly grub screws including those located near the base.

On either side of the mount adapter there are 2 screws. Loosen the top screws, allowing 5mm spacing. Remove the bottom screws and retain.



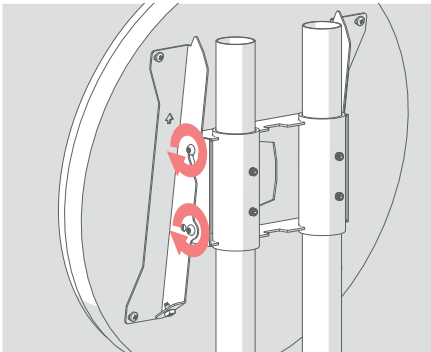
STEP 9

Carefully, locate the mount fixing holes located on the rear of the Microsoft Surface Hub 2S and fix the two mount arms into position. Please ensure that the magnet-side of the mount arms are at the bottom on the screen.



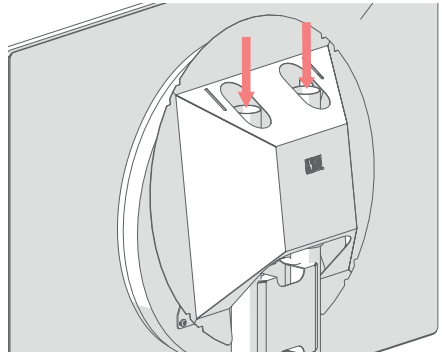
STEP 10

With the help of another person place the screen (in landscape) onto the twin column mount adapter assembly, ensuring that the arms are securely in position.



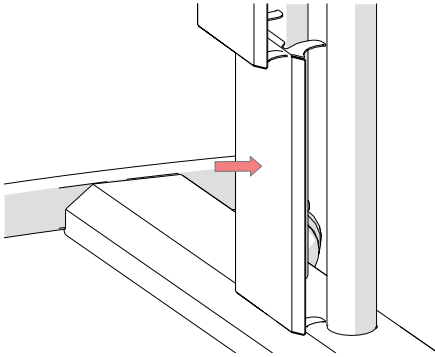
STEP 11

Ensure screen is located properly and determine whether you'd like the screen flat or with an 8° angle. Once happy, place bottom screws back in and tighten both sets to secure the screen to the trolley.



STEP 12

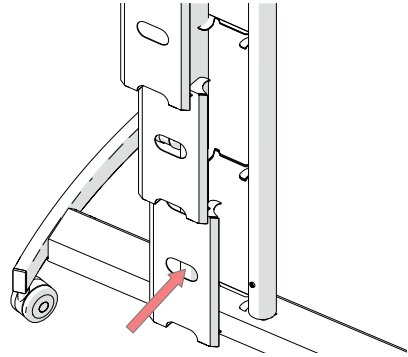
Making sure all cables are within the space between the columns and locate the rear cover. Gently place the cover over the columns, ensuring the slots locate with the protrusions on the mount arms. The cover will then clip into place with the magnets located on the underside of the mount arms.



STEP 13

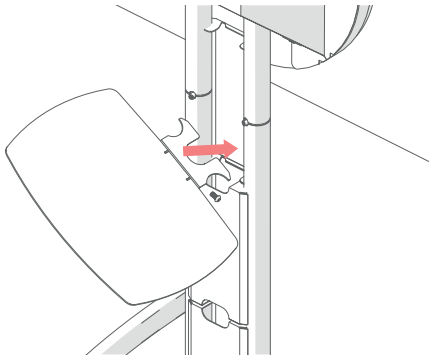
Identify mast in-fill panels (the 4 with cut-outs go to the rear). Start from the bottom and clip the 4 front panels in, one on top of another (with the smaller 15cm panel at the top).

Please note; the panel with the 4-way power socket should be located at the bottom.



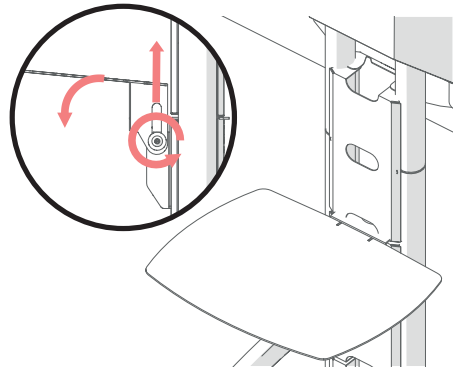
STEP 14

Cable up and then identify remaining mast in-fill panels. Start from the bottom and clip 2 of the 3 larger rear panels in, threading cabling through where necessary.



STEP 15

Before fitting the last 2 rear in-fill panels, identify the fold down shelf. Angle the shelf so that the clips go between the columns and then level out - allowing it to rest on the in-fill panel below.



STEP 16

Clip the last rear in-fill panel(s) into place to finish the assembly.

To fold the shelf down, loosen the bolts on the side of the shelf (as shown above). Lift the shelf up and fold down. Tighten bolts again to secure.