



Scan for full manual

## VM-2HDT, VM-3HDT Quick Start Guide

This guide helps you install and use your **VM-2HDT**, **VM-3HDT** for the first time.

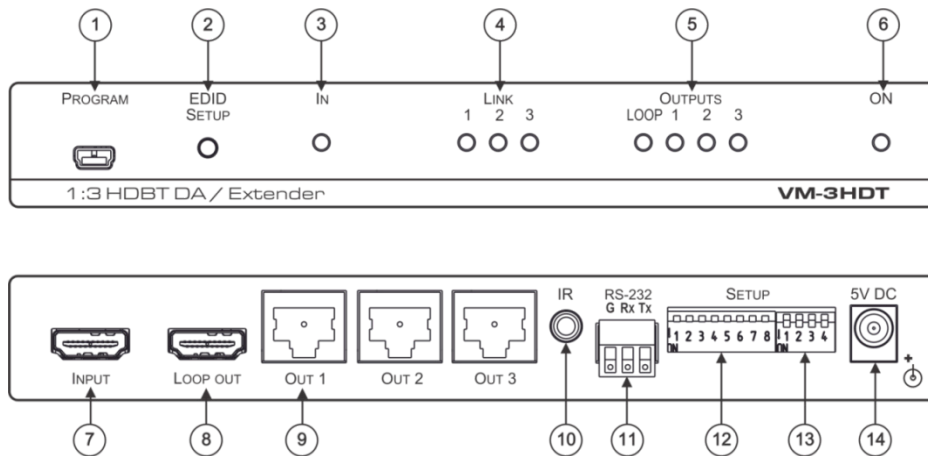
Go to [www.kramerav.com/downloads/VM-2HDT](http://www.kramerav.com/downloads/VM-2HDT) to download the latest user manual and check if firmware upgrades are available.

### Step 1: Check what's in the box

- ✓ **VM-2HDT** or **VM-3HDT** HDBT DA/Extender
- ✓ 4 Rubber feet
- ✓ 1 Bracket set
- ✓ 1 Power adapter and cord
- ✓ 1 Quick start guide

### Step 2: Get to know your VM-2HDT, VM-3HDT

This section defines the **VM-3HDT**. **VM-2HDT** is identical but has 2 HDBT OUT connectors (OUT 1 and OUT 2).

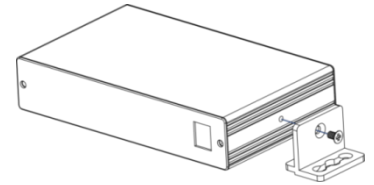


#	Feature	Function
1	PROGRAM Mini USB Connector	Use to send RS-232 commands. Connect to a PC to perform firmware upgrades (via K-Upload) and work with the EDID Designer. K-Upload and EDID Designer can be downloaded from our Web site at: <a href="http://www.kramerav.com/support">www.kramerav.com/support</a>
2	EDID SETUP Button	Press to capture one of the output EDIDs or the default EDID to the input EDID.
3	IN LED	Lights when an active input signal is detected.
4	LINK LEDs (1 to 3)	Lights when a link is established with the receiver ( <b>VM-2HDT</b> : 1 to 2).
5	OUTPUT LEDs (LOOP and 1 to 3)	Lights when an active output acceptor (sink) is detected on the LOOP or HDBaseT receiver that is connected to the output ( <b>VM-2HDT</b> : LOOP and 1 to 2).
6	ON LED	Lights when the unit receives power.
7	INPUT HDMI Connector	Connects to the HDMI source.
8	LOOP OUT HDMI Connector	Connect to a local monitor or a daisy-chained distributor, for example, a <b>VM-4HDT</b> .
9	HDBT OUT Connectors (1 to 3)	Connect to an HDBT acceptor, for example <b>TP-580R</b> ( <b>VM-2HDT</b> : 1 to 2).
10	IR 3.5mm Mini Jack	Connect to the remote IR sensor/emitter.
11	RS-232 3-pin Terminal Block	Connect to a serial controller to control a remote device that is connected to the RS-232 port of the HDBaseT receiver.
12	SETUP 8-way DIP-switch	Used to set the IR and RS-232 command behavior.
13	SETUP 4-way DIP-switch	For future use.
14	5V DC Connector	Connects to the 5V DC power supply.

### Step 3: Install VM-2HDT, VM-3HDT

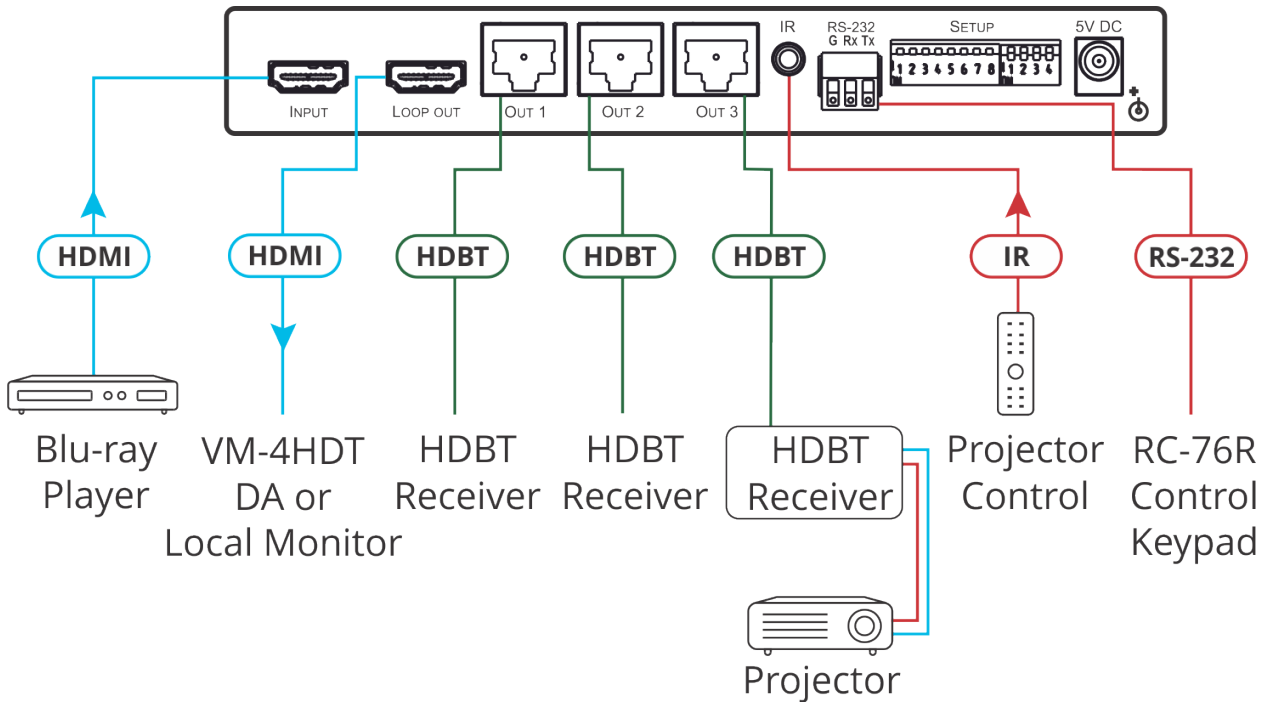
Install **VM-2HDT, VM-3HDT** using one of the following methods:

- Attach the rubber feet and place the unit on a flat surface.
- Fasten a bracket (included) on each side of the unit and attach it to a flat surface.  
For more information go to [www.kramerav.com/downloads/VM-2HDT, VM-3HDT](http://www.kramerav.com/downloads/VM-2HDT, VM-3HDT).
- Mount the unit in a rack using an optional **RK-T2B** rack adapter.



### Step 4: Connect the inputs and outputs

Always switch OFF the power on each device before connecting it to your **VM-2HDT, VM-3HDT**. For best results, we recommend that you always use Kramer high-performance cables to connect AV equipment to **VM-2HDT, VM-3HDT**.



### Step 5: Connect the power

Connect the 5V DC power adapter to **VM-2HDT, VM-3HDT** and plug it into the mains electricity.

#### Safety Instructions



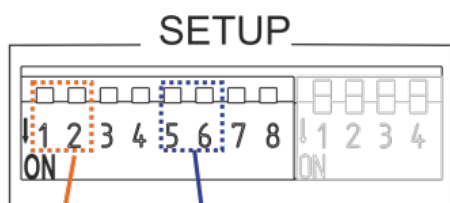
- Caution:** There are no operator serviceable parts inside the unit.
- Warning:** Use only the Kramer Electronics power supply that is provided with the unit.
- Warning:** Disconnect the power and unplug the unit from the wall before installing.  
See [www.KramerAV.com](http://www.KramerAV.com) for updated safety information.

### Step 6: Operate VM-2HDT, VM-3HDT

To enable/disable IR and RS-232 routing, set the DIP-switches (by default, set to OFF) as follows:

Out #	IR Routing is enabled when:	RS-232 Routing is enabled when:
OUT 1	DIP 1 – OFF (up)	DIP 5 – OFF (up)
OUT 2	DIP 2 – OFF (up)	DIP 6 – OFF (up)
OUT 3	DIP 3 – OFF (up)	DIP 7 – OFF (up)

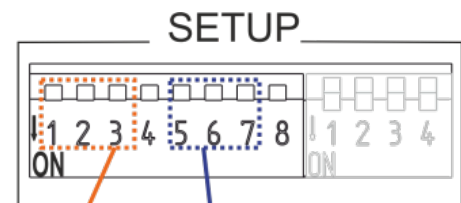
VM-2HDT



IR routing enable/disable

RS-232 routing enable/disable

VM-3HDT



IR routing enable/disable

RS-232 routing enable/disable

**Acquire EDID by:**

- Manually sending RS-232 serial commands via a touch screen connected to USB.
- Using the Kramer **EDID Designer** tool connected to USB.
- Pressing the **EDID SETUP** front panel button.

**USB:**

<b>RS-232</b>	
Baud Rate:	115200
Data Bits:	8
Command Format:	ASCII
Stop Bits:	1
Parity:	None
Example (Copy the EDID data from the Output 1 to the Input):	“#CPEDID 1,1,0<cr>
<b>Factory Reset</b>	
Protocol 3000:	#FACTORY command to reset to factory default configuration.

**To Read the EDID via EDID SETUP front panel button:**

1. Press **EDID SETUP**.  
The LEDs indicate the current EDID source:  
Default EDID – all the connected output LEDs flash.  
An output – that output LED lights for about 5 seconds.
2. Press **EDID SETUP**.
3. Press repeatedly to cycle through EDID source options until the desired EDID source is selected:  
OUT 1>OUT 2>OUT 3>all LEDs flash (OUT 1 and OUT 2 for **VM-2HDT**).
4. Wait a few seconds for **VM-2HDT, VM-3HDT** to read the EDID.  
When complete, all the LEDs return to normal operation and display the current output connection status.

If a disconnected output is chosen, the **VM-2HDT, VM-3HDT** loads the default EDID.

**To force RGB mode:**

To force the EDID to support only RGB color space:

1. Press and hold **EDID SETUP** until all the LEDs fast-flash together several times then turn off.
2. If required, read the EDID.

To return to normal mode:

1. Press and hold **EDID SETUP** until all the LEDs flash once.
2. If required, read the EDID.

## Technical Specifications

	VM-2HDT	VM-3HDT	
Inputs	1 HDMI	1 HDMI	On a female HDMI connector
Outputs	1 LOOP HDMI	1 LOOP HDMI	On a female HDMI connector
	2 HDBT	3 HDBT	On RJ-45 female connectors
Ports	1 USB	1 USB	On a Mini female connector
	1 RS-232	1 RS-232	On a 3-pin terminal block connector
	1 IR	1 IR	On a 3.5mm mini jack
Maximum Extension Range	40m (130ft)		At 4K@60Hz (4:2:0)
	70m (230ft)		At full HD (1080p@60Hz 36bpp)
Video	Max. Resolution		4K@30Hz and 4K@60Hz 4:2:0
	Max. Data Rate		10.2Gbps (3.4Gbps per graphic channel)
	Compliance		Supports HDMI 2.0, HDCP 1.4, and HDBaseT 1.0
Control	Front Panel		EDID setup button IN, LINK, OUTPUT and ON indication LEDs
	Rear Panel		DIP-switches
Power Consumption	5V DC, 1.6A	5V DC 2.1A	
Power Source	5V DC, 4A		
Environmental Conditions	Operating Temperature		0° to +40°C (32° to 104°F)
	Storage Temperature		-40° to +70°C (-40° to 158°F)
	Humidity		10% to 90%, RH non-condensing
General	Net Dimensions (W, D, H)		18.8cm x 11.5 cm x 2.54cm (7.4" x 4.53" x 1.")
	Shipping Dimensions (W, D, H)		34.5cm x 16.5cm x 5.2cm (13.6" x 6.5" x 2.05")
	Net Weight		0.53kg (1.17lbs) approx.
	Shipping Weight		1.29kg (2.84lbs) approx.
Accessories	Included		Power adapter and cord
Specifications are subject to change without notice at <a href="http://www.kramerav.com">www.kramerav.com</a>			