

KRAMER



Installation Instructions

MODEL:

TS-PEU Universal Socket Power Extension
for Modular TBUS



P/N: 2900-300777QS



Rev: 2



SAFETY WARNING

Disconnect the unit from the power supply before opening and servicing
See www.KramerAV.com for updated safety information

For the latest information on our products and a list of Kramer distributors, visit our Web site where updates to these installation instructions may be found.

We welcome your questions, comments, and feedback.

www.KramerAV.com
info@kramerel.com

Universal Socket Power Extension for Modular TBUS

Congratulations on purchasing your Kramer **TS-PEU** universal socket power extension for modular TBUS (**TBUS-1AXL**, **TBUS-1N** and/or **TBUS-1KWC**).

The **TS-PEU** includes six universal power sockets: one on the surface of the unit and five hidden neatly under the table. To use **TS-PEU**, simply pull it out of the TBUS surface using the handles and lay it on the table. When not in use, carefully slide the **TS-PEU** into the TBUS.

The **TS-PEU** fits into TBUS inner frame modules that include dual power socket openings (for example, P/N 80-000399 or P/N 80-000499).

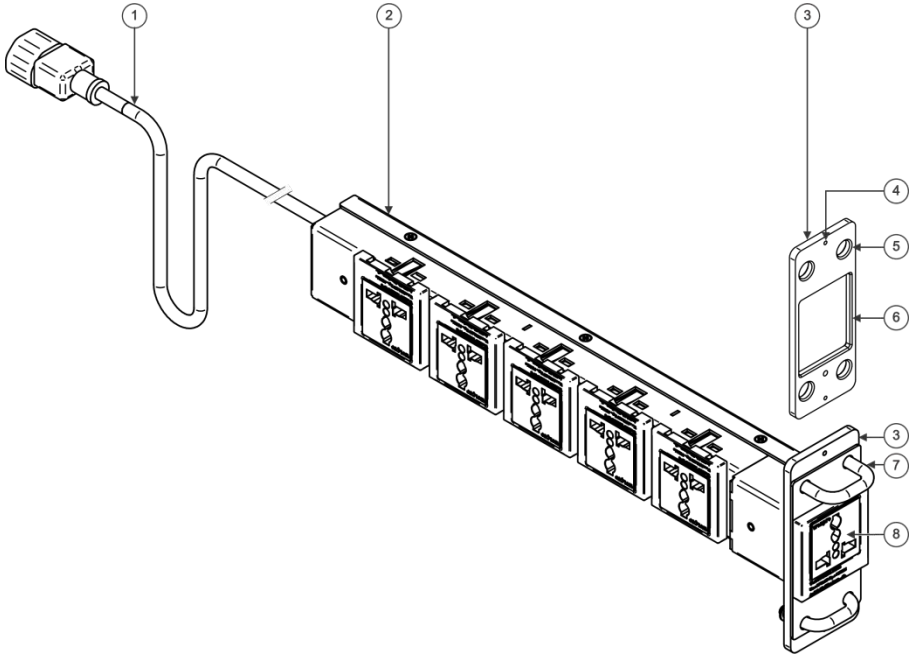


Figure 1: TS-PEU

#	Feature	Function
1	Power Cable with Male C14 Connector	Connect to any universal C14 cable and to the mains.
2	Power Extension Unit Housing	Includes five built-in universal power sockets.
3	Bracket	Fit bracket over dual power socket opening on the TBUS frame.
4	Bracket Screw Openings (2)	Attach to frame surface using 2 M3x8 screws (supplied).
5	Bracket Handle Opening (4)	Used for resting the Power Extension Unit when hidden under the table.
6	Power Extension Unit Opening	Pass-through for pulling and sliding the Power Extension Unit.
7	Pulling Handles (2)	Hold when pulling / hiding the Power Extension Unit.
8	Surface Power Socket	Power socket located on the unit surface.

Installing the TS-PEU

The Kramer **TS-PEU** fits into a dual power socket opening.

To install the TS-PEU:

1. Place the **TS-PEU** under the dual power socket opening of a frame.
2. Tighten the bracket using the two M3x8 screws (supplied with the package).

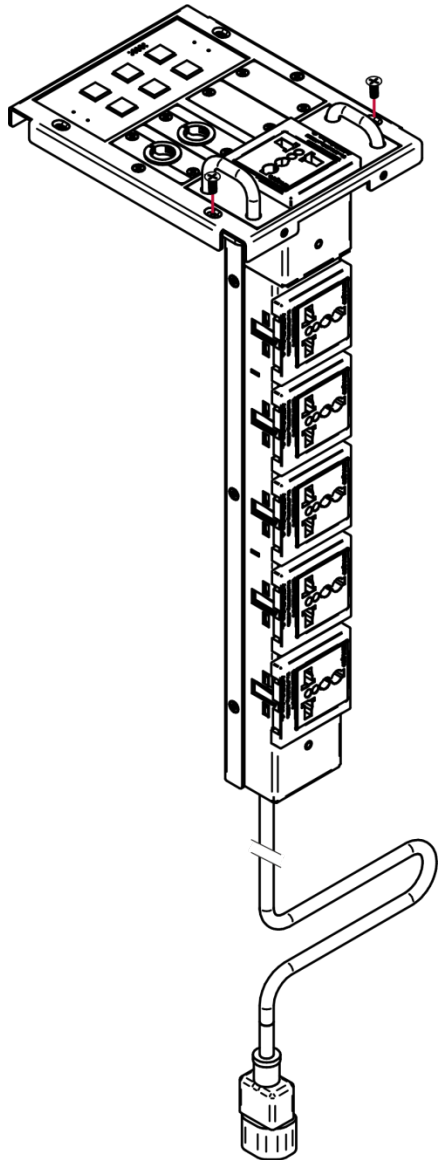


Figure 2: TS-PEU installing in the TBUS

When needed, use the two side-handles to pull out the power socket extension.

Technical Specifications

Ports	6 power universal connectors
Power Source (AC power limits):	Universal: 100-240V AC, 50/60Hz, 5A, maximum 5A per power outlet Fully compatible with power plugs in the UK, India, Italy and Denmark, as well as with the 2-prong Europlug. Partially compatible (if the polarity is reversed) with plugs in China, Switzerland, Israel and the USA. The universal socket does not supply grounding to plugs in Central Europe and France.
Fuse Rating:	T 10A 250V
Operating Temperature:	0° to +40°C (32° to 104°F)
Storage Temperature:	-40° to +70°C (-40° to 158°F)
Humidity:	10% to 90%, RHL, non-condensing
Storage humidity range:	5% to 95%, RHL, non-condensing
Dimensions:	12.2cm x 36.4cm x 5.1cm (4.8" x 14.3" x 1") W, D, H. Power cord length 170cm (67")
Shipping Dimensions	13.2cm x 49cm x 6cm (5.2" x 19.3" x 2.4") W, D, H.
Weight:	1.18kg (2.6lbs) approx.
Shipping Weight	1.38kg (3.04lbs) approx.
Included Accessories:	2 M3x8 screws
Specifications are subject to change without notice at www.kramerav.com	