

KRAMER



Installation Instructions

MODEL:

KDock-4

USB-C Hub Multiport Adapter



HDMI™
HIGH DEFINITION MULTIMEDIA INTERFACE



P/N: 2900-301358QS



Rev: 2



SAFETY WARNING

Disconnect the unit from the power supply before opening and servicing

For the latest information on our products and a list of Kramer distributors, visit our Web site where updates to these installation instructions may be found.

We welcome your questions, comments, and feedback.

www.kramerAV.com
info@kramerel.com

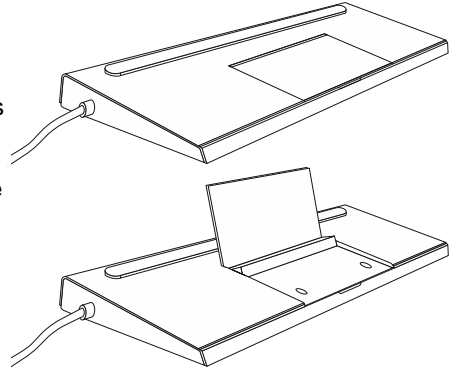
KDock-4 USB-C Hub Multiport Adapter

Introduction

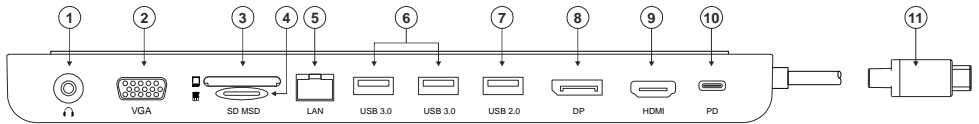
Congratulations on purchasing your Kramer KDock-4 USB-C Hub Multiport Adapter.

KDock-4 USB-C Hub Multiport Adapter supports HDMI™, DP and VGA video outputs for up to three displays, 3 USB ports, 1 USB-C port, and SD & Micro SD card readers. It is specially designed to support a mobile device on top. It is an ideal accessory for MacBook, laptops equipped with USB Type-C, mobile phones, and tablets.

For small host devices (e.g., phones and tablets), open the flip-up device holder.



Get to Know Your KDock-4



#	Feature	Function
1	3.5mm Mini Jack	Connect to headphones. 48K/44.1KHz audio stereo sampling rate.
2	VGA Connector	Connect to a VGA acceptor.
3	SD	SD support read/write transmission speed up to 832Mbps (104MB/s). Version: 3.0/2.0.
4	microSD	microSD support read/write transmission speed up to Speed: 832Mbps (104MB/s). Version: 3.0/2.0.
5	Ethernet RJ-45 Connector	Ethernet RJ-45 Connector - To directly connect your mobile device or laptop to the Ethernet with an RJ-45 1000M (Gigabit)/100M/10M cable.
6	2 USB-A 3.0 Connector	Charging: BC1.2 (5V 1.5A). Speed: 5.0Gbps (640MB/s).
7	USB-A 2.0 Connector	Speed: 480Mbps (60MB/s).
8	4K DP Connector	Connect to a DP acceptor.
9	4K HDMI Connector	Connect to an HDMI acceptor.
10	USB-C Female	Power pass through 100W (5V/1A-20V/5A) fast charge. Insert a device with a type C (male) plug into the type C port (to recharge it).
11	USB-C Male	Connect to host (PC, phone, or tablet).

Technical Specifications

Inputs	1 USB	On a male USB-C connector.
Outputs	1 VGA	On a female 15-pin HD Connector. <ul style="list-style-type: none"> • 1920x1080P@60Hz when a single display is attached to the device. • 1920x1080P@60Hz when two displays are attached to the device. • 1280x720P@60Hz when three displays are attached to the device. Backwards compatible with lower resolutions.
	1 HDMI	On a female HDMI connector. <ul style="list-style-type: none"> • 3840x2160P@30Hz when a single display is attached to the device. • 1920x1080P@60Hz when two displays are attached to the device. • 1280x720P@60Hz when three displays are attached to the device. Backwards compatible with lower resolutions.
	1 DP	On a female DisplayPort connector. <ul style="list-style-type: none"> • 3840x2160P@30Hz when a single display is attached to the device. • 1920x1080P@60Hz when two displays are attached to the device. • 1280x720P@60Hz when three displays are attached to the device. Backwards compatible with lower resolutions.
Ports	4 USB	2 female USB-A 3.0 connectors for USB link extension.
		1 female USB-A 2.0 connector for USB link extension.
		1 female USB-C connector for charging.
	1 Ethernet	On an RJ-45 connector.
	1 SD	On an SD card port.
	1 microSD	On a microSD card port.
Video	Max Bandwidth	10.2Gbps (3.4Gbps per graphic channel).
	Max Resolution	3840x2160P@30Hz resolution.
	Compliance	HDMI and HDCP 1.4.
Extended Ethernet	Max Transmission Bandwidth	<ul style="list-style-type: none"> • 1000M (Gigabit)/100M/10M. • Includes Wake-on-LAN (WoL). • Single Mac address. • PXE boot.
Power	Consumption	100W.
Environmental Conditions	Operating Temperature	0° to +40°C (32° to 104°F).
	Storage Temperature	-10° to +55°C (14° to 131°F).
	Humidity	5% to 90%, RHL non-condensing.
Regulatory Compliance	Safety	CE.
	Environmental	RoHs, FCC.
Enclosure	Type	Aluminum with built-in 20cm/7.87" flexible USB-C cable.
General	Net Dimensions	26.0cm x 9.0cm x 2.5cm (10.2" x 3.5" x 1.0").
	Net Weight	361g (0.8lbs) approx.

Specifications are subject to change without notice at www.kramerav.com

The terms HDMI, HDMI High-Definition Multimedia Interface, and the HDMI Logo are trademarks or registered trademarks of HDMI Licensing Administrator, Inc.