

Kramer Electronics, Ltd.



USER MANUAL

Model:

6241HDxl

4x1 3G HD-SDI Switcher

Contents

1	Introduction	1
2	Getting Started	1
2.1	Quick Start	2
3	Overview	3
4	Defining the 6241HDx1 4x1 3G HD-SDI Switcher	4
5	Connecting the 6241HDx1 4x1 3G HD-SDI Switcher	5
6	Technical Specifications	6

Figures

Figure 1:	6241HDx1 4x1 3G HD-SDI Switcher Front and Rear Panels	4
Figure 2:	Connecting the 6241HDx1 4x1 3G HD-SDI Switcher	5

Tables

Table 1:	6241HDx1 4x1 3G HD-SDI Switcher Front and Rear Panel Functions	4
Table 2:	6241HDx1 Technical Specifications	6

1 Introduction

Welcome to Kramer Electronics! Since 1981, Kramer Electronics has been providing a world of unique, creative, and affordable solutions to the vast range of problems that confront the video, audio, presentation, and broadcasting professional on a daily basis. In recent years, we have redesigned and upgraded most of our line, making the best even better! Our 1,000-plus different models now appear in 11 groups¹ that are clearly defined by function.

Thank you for purchasing the Kramer DigiTOOLS® **6241HDxl 4x1 3G HD-SDI Switcher**, which is ideal for:

- Video broadcast studios for signal routing
- Non-linear editing suites
- Video production studios

Each package includes the following items:

- **6241HDxl 4x1 3G HD-SDI Switcher**
- Power supply (5V DC)
- This user manual²

2 Getting Started

We recommend that you:

- Unpack the equipment carefully and save the original box and packaging materials for possible future shipment
- Review the contents of this user manual
- Use Kramer high-performance high-resolution cables³

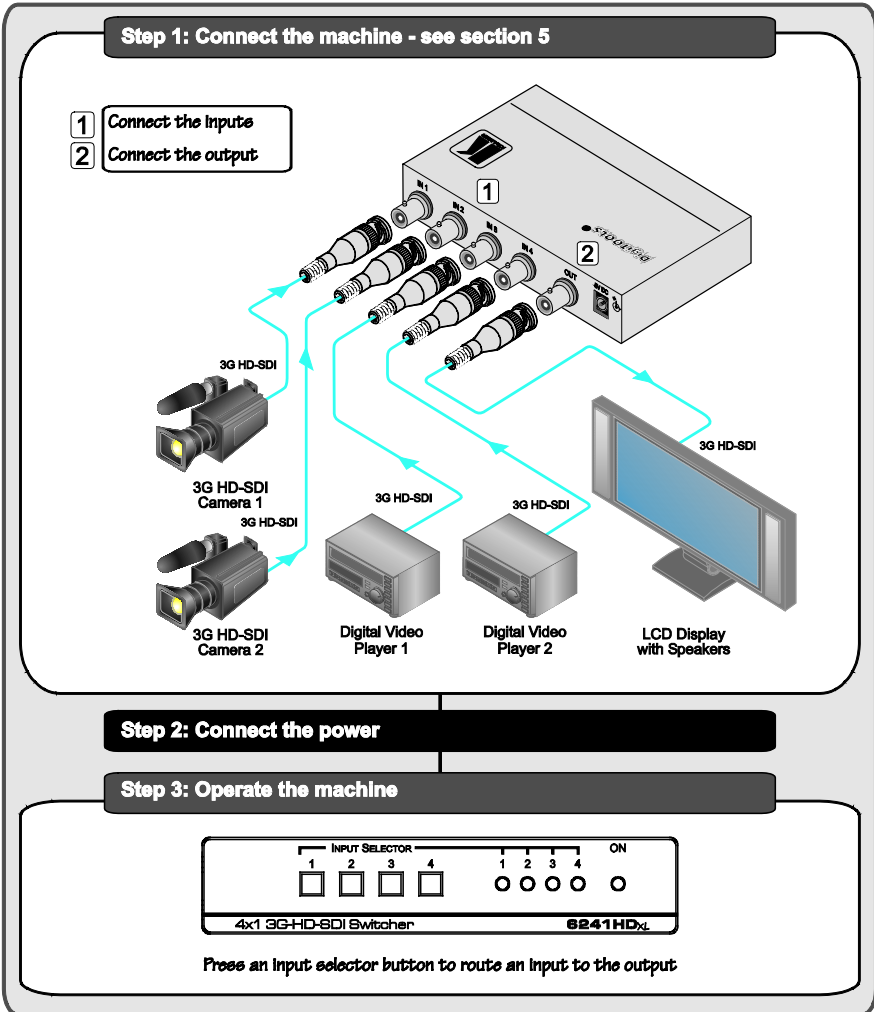
1 GROUP 1: Distribution Amplifiers; GROUP 2: Switchers and Matrix Switchers; GROUP 3: Control Systems; GROUP 4: Format/Standards Converters; GROUP 5: Range Extenders and Repeaters; GROUP 6: Specialty AV Products; GROUP 7: Scan Converters and Sealers; GROUP 8: Cables and Connectors; GROUP 9: Room Connectivity; GROUP 10: Accessories and Rack Adapters; GROUP 11: Sierra Products

2 Download up-to-date Kramer user manuals are available from <http://www.kramerelectronics.com>

3 The complete list of Kramer cables is available from <http://www.kramerelectronics.com>

2.1 Quick Start

This quick start chart summarizes the basic setup and operation steps.



3 Overview


The **6241HDxl 4x1 3G HD-SDI Switcher** is a high-performance switcher for 3G HD-SDI serial digital video signals. It takes any one of four 3G HD-SDI inputs, applies reclocking and equalization, and outputs the signal to one 3G HD-SDI output.

The **6241HDxl** features:

- A maximum data rate up to 2.97Gbps
- HDTV compatibility
- SMPTE 259M, 344M, 292M and 424M compliance
- Adjustment-free operation
- Automatic equalization for losses on 75Ω coaxial cable¹
- Reclocking the input signal to provide a low-jitter, serial digital output
- 8-bit and 10-bit video operation with automatic word length recognition
- Unmodified transmission of all signal information (including embedded information) from the inputs to the output

To achieve the best performance:

- Use only good quality connection cables² to avoid interference, deterioration in signal quality due to poor matching, and elevated noise levels (often associated with low quality cables).
- Avoid interference from neighboring electrical appliances that may adversely influence signal quality and position your Kramer **6241HDxl** away from moisture, excessive sunlight and dust

	Caution: No operator serviceable parts inside unit
	Warning: Use only the Kramer Electronics input power wall adapter that is provided with the unit
	Warning: Disconnect power and unplug unit from wall before installing or removing the device or servicing unit

¹ Up to hundreds of meters of cable (depending on the cable quality and the video standard)

² Available from Kramer Electronics on our Web site at <http://www.kramerelectronics.com>

4 Defining the 6241HDxl 4x1 3G HD-SDI Switcher

[Figure 1](#) and [Table 1](#) define the unit.

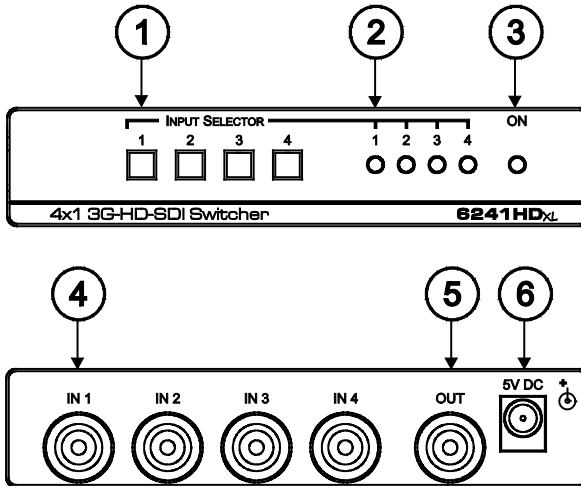


Figure 1: 6241HDxl 4x1 3G HD-SDI Switcher Front and Rear Panels

Table 1: 6241HDxl 4x1 3G HD-SDI Switcher Front and Rear Panel Functions

#	Feature	Function
1	INPUT SELECTOR Buttons	Select the serial digital video source (from 1 to 4)
2	INPUT SELECTOR LEDs	Lights for the selected input (from 1 to 4)
3	ON LED	Lights when receiving power
4	INPUT BNC Connectors	Connect to the serial digital video sources (75Ω) (1 to 4)
5	OUT BNC Connector	Connect to the serial digital video acceptor (75Ω)
6	5V DC	Connect to the power adapter, center pin positive

5 Connecting the 6241HDx1 4x1 3G HD-SDI Switcher

To connect your 6241HDx1 4x1 SDI Switcher, as illustrated in [Figure 2](#):

1. Connect up to four serial digital video sources (for example, two 3G HD-SDI digital broadcast cameras and two digital video players) to the four serial digital video IN BNC connectors¹.
2. Connect the serial digital video OUT BNC connector to the serial digital video acceptor (for example, a 3G HD-SDI digital monitor).
3. Connect the power adapter to the power socket and connect the adapter to the mains electricity.

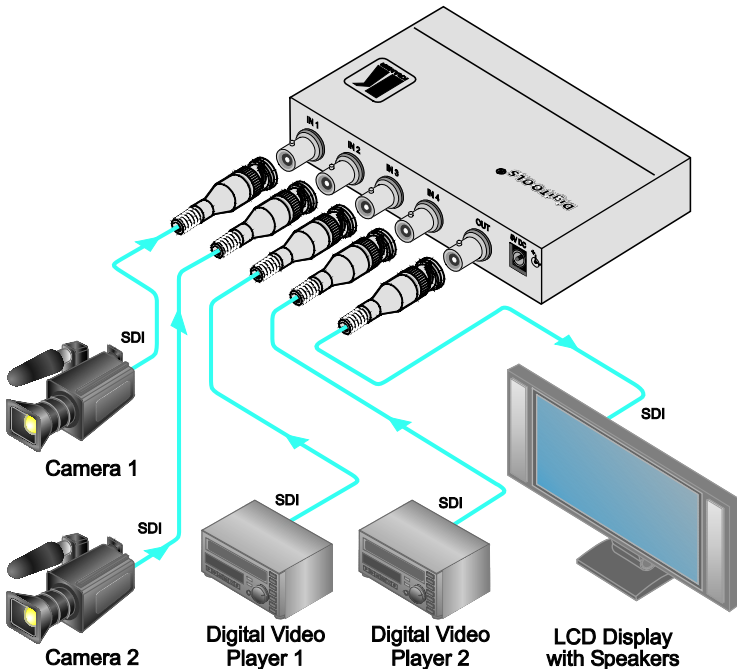


Figure 2: Connecting the 6241HDx1 4x1 3G HD-SDI Switcher

¹ You do not have to connect all the inputs

6 Technical Specifications

The **6241HDxl** technical specifications are shown in [Table 2](#).

Table 2: 6241HDxl Technical Specifications¹

INPUTS:	4 SMPTE 259M/344M/292M/424M serial digital video (75Ω) on BNC connectors
OUTPUT:	1 SMPTE 259M/344M/292M/424M serial digital video (75Ω) on BNC connector
MAX. DATA RATE:	2.97Gbps
MAX. OUTPUT LEVEL:	800mVpp/75Ω
EQUALIZATION:	Automatic equalization for losses on 75Ω coaxial cable
DIMENSIONS:	12cm x 7.5cm x 2.5cm (4.7" x 2.95" x 0.98") W, D, H
POWER SOURCE:	5V DC, 510mA
WEIGHT:	0.25kg (0.6lbs) approx.
ACCESSORIES:	Power supply, mounting bracket
OPTIONS:	RK-T1 or RK-T3 rack mount kit

¹ Specifications are subject to change without notice

LIMITED WARRANTY

Kramer Electronics (hereafter *Kramer*) warrants this product free from defects in material and workmanship under the following terms.

HOW LONG IS THE WARRANTY

Labor and parts are warranted for seven years from the date of the first customer purchase.

WHO IS PROTECTED?

Only the first purchase customer may enforce this warranty.

WHAT IS COVERED AND WHAT IS NOT COVERED

Except as below, this warranty covers all defects in material or workmanship in this product. The following are not covered by the warranty:

1. Any product which is not distributed by Kramer, or which is not purchased from an authorized Kramer dealer. If you are uncertain as to whether a dealer is authorized, please contact Kramer at one of the agents listed in the Web site www.kramerelectronics.com.
2. Any product, on which the serial number has been defaced, modified or removed, or on which the WARRANTY VOID IF TAMPERED sticker has been torn, reattached, removed or otherwise interfered with.
3. Damage, deterioration or malfunction resulting from:
 - i) Accident, misuse, abuse, neglect, fire, water, lightning or other acts of nature
 - ii) Product modification, or failure to follow instructions supplied with the product
 - iii) Repair or attempted repair by anyone not authorized by Kramer
 - iv) Any shipment of the product (claims must be presented to the carrier)
 - v) Removal or installation of the product
 - vi) Any other cause, which does not relate to a product defect
 - vii) Cartons, equipment enclosures, cables or accessories used in conjunction with the product

WHAT WE WILL PAY FOR AND WHAT WE WILL NOT PAY FOR

We will pay labor and material expenses for covered items. We will not pay for the following:

1. Removal or installations charges.
2. Costs of initial technical adjustments (set-up), including adjustment of user controls or programming. These costs are the responsibility of the Kramer dealer from whom the product was purchased.
3. Shipping charges.

HOW YOU CAN GET WARRANTY SERVICE

1. To obtain service on you product, you must take or ship it prepaid to any authorized Kramer service center.
2. Whenever warranty service is required, the original dated invoice (or a copy) must be presented as proof of warranty coverage, and should be included in any shipment of the product. Please also include in any mailing a contact name, company, address, and a description of the problem(s).
3. For the name of the nearest Kramer authorized service center, consult your authorized dealer.

LIMITATION OF IMPLIED WARRANTIES

All implied warranties, including warranties of merchantability and fitness for a particular purpose, are limited in duration to the length of this warranty.

EXCLUSION OF DAMAGES

The liability of Kramer for any effective products is limited to the repair or replacement of the product at our option. Kramer shall not be liable for:

1. Damage to other property caused by defects in this product, damages based upon inconvenience, loss of use of the product, loss of time, commercial loss; or
2. Any other damages, whether incidental, consequential or otherwise. Some countries may not allow limitations on how long an implied warranty lasts and/or do not allow the exclusion or limitation of incidental or consequential damages, so the above limitations and exclusions may not apply to you.

This warranty gives you specific legal rights, and you may also have other rights, which vary from place to place.

NOTE: All products returned to Kramer for service must have prior approval. This may be obtained from your dealer.

This equipment has been tested to determine compliance with the requirements of:

- EN-50081: "Electromagnetic compatibility (EMC);
generic emission standard.
Part 1: Residential, commercial and light industry"
- EN-50082: "Electromagnetic compatibility (EMC) generic immunity standard.
Part 1: Residential, commercial and light industry environment".
- CFR-47: FCC* Rules and Regulations:
Part 15: "Radio frequency devices
Subpart B Unintentional radiators"

CAUTION!

- ⊠ Servicing the machines can only be done by an authorized Kramer technician. Any user who makes changes or modifications to the unit without the expressed approval of the manufacturer will void user authority to operate the equipment.
- ⊠ Use the supplied DC power supply to feed power to the machine.
- ⊠ Please use recommended interconnection cables to connect the machine to other components.
* FCC and CE approved using STP cable (for twisted pair products)



For the latest information on our products and a list of Kramer distributors visit www.kramerelectronics.com where updates to this user manual may be found. We welcome your questions, comments and feedback.



Caution

Safety Warning:

Disconnect the unit from the power supply before opening/servicing.



Kramer Electronics, Ltd.

Web site: www.kramerelectronics.com

E-mail: info@kramereel.com

P/N: 2900-000589 REV 3